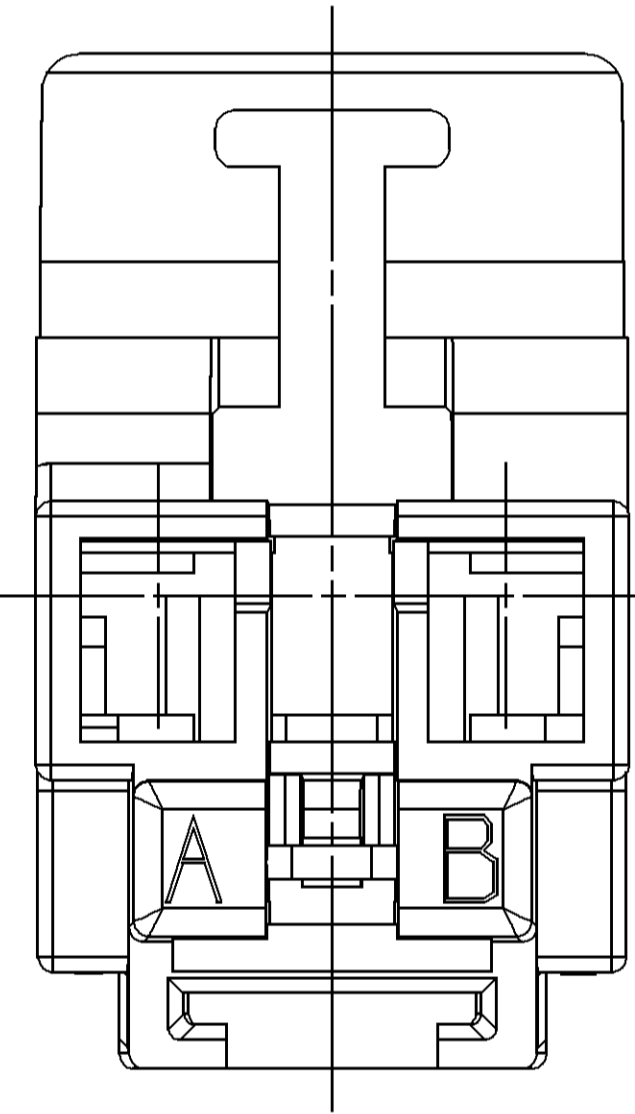
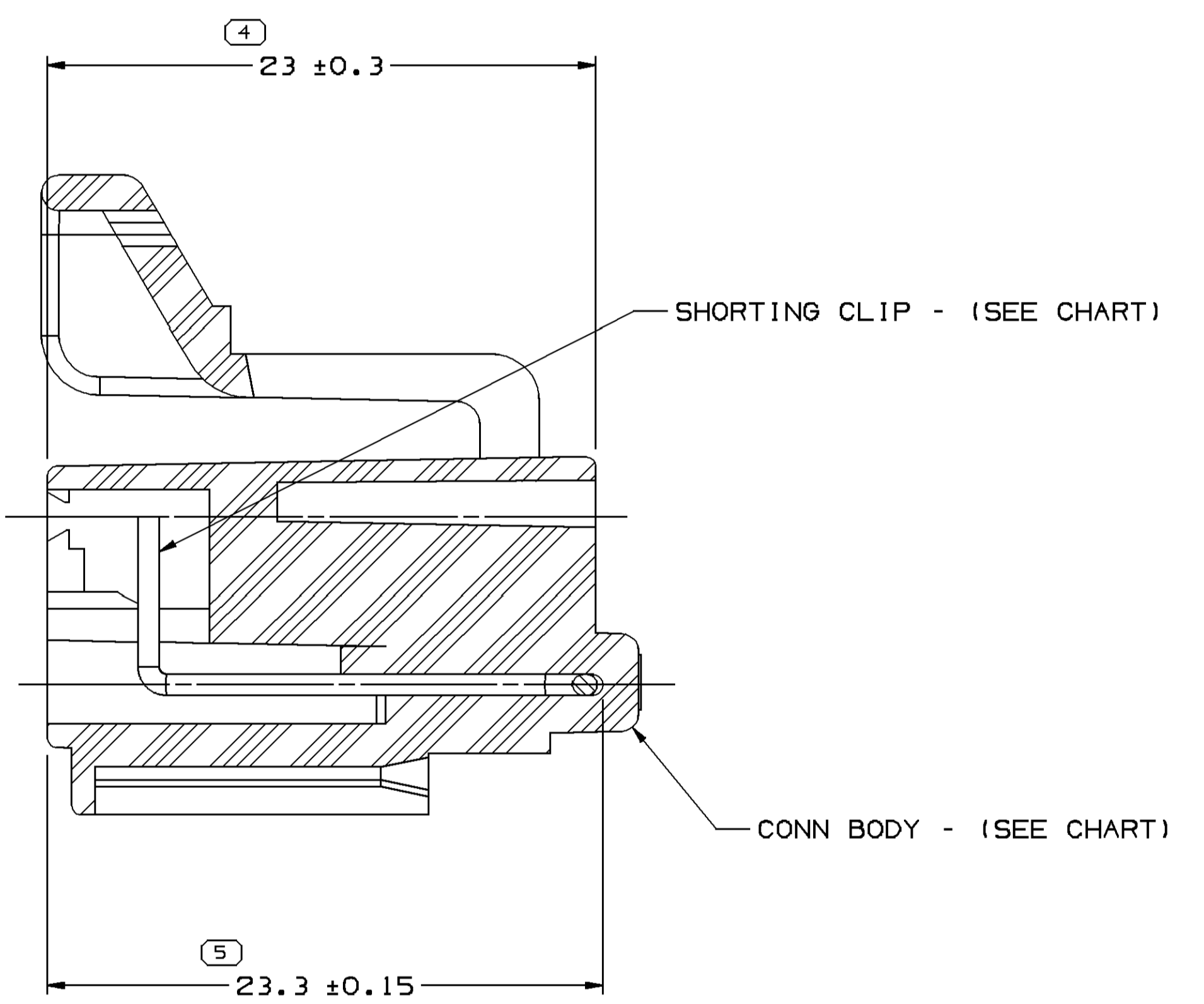
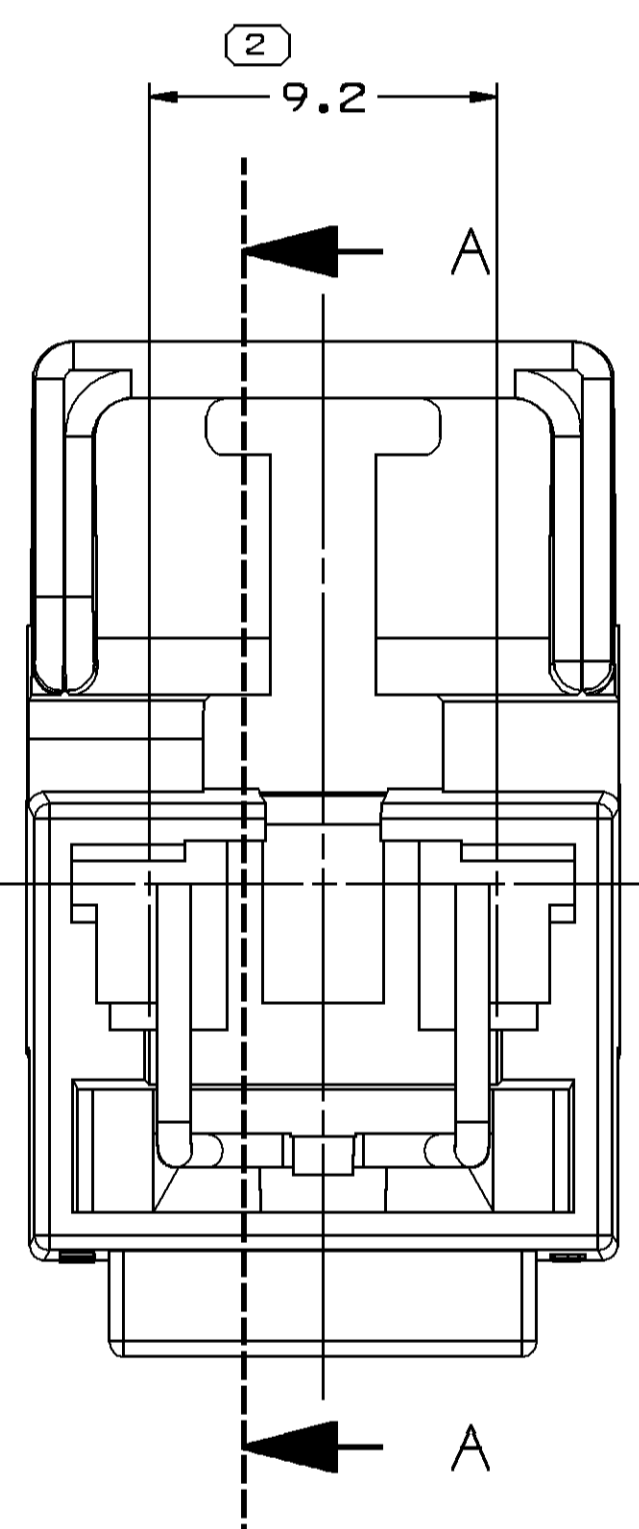
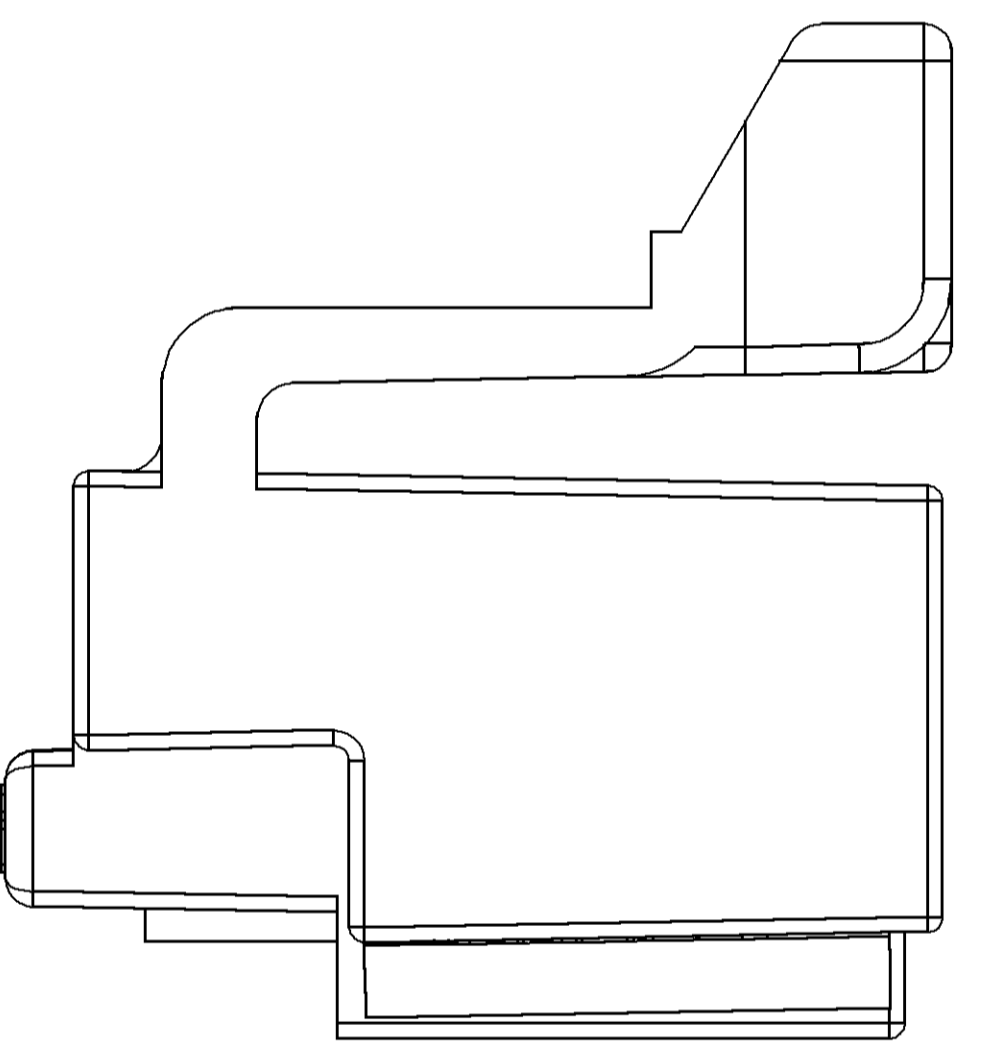
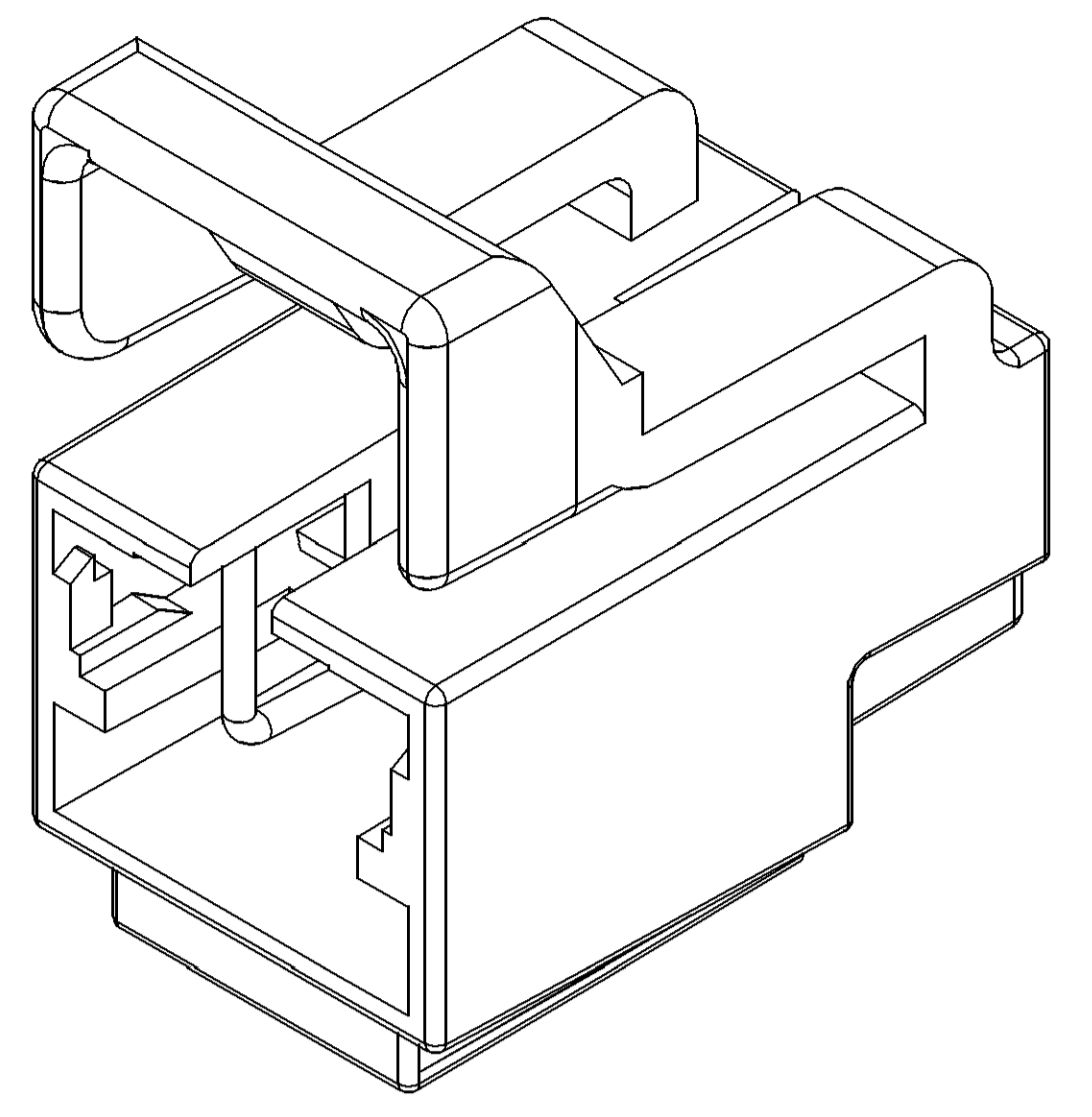
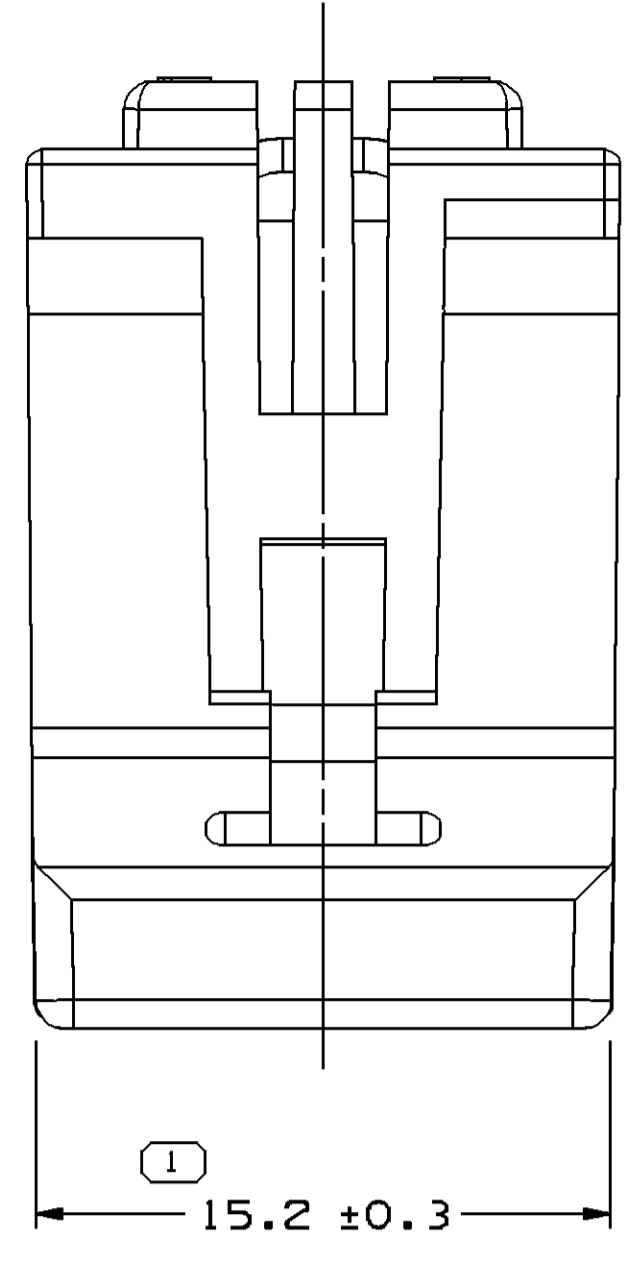


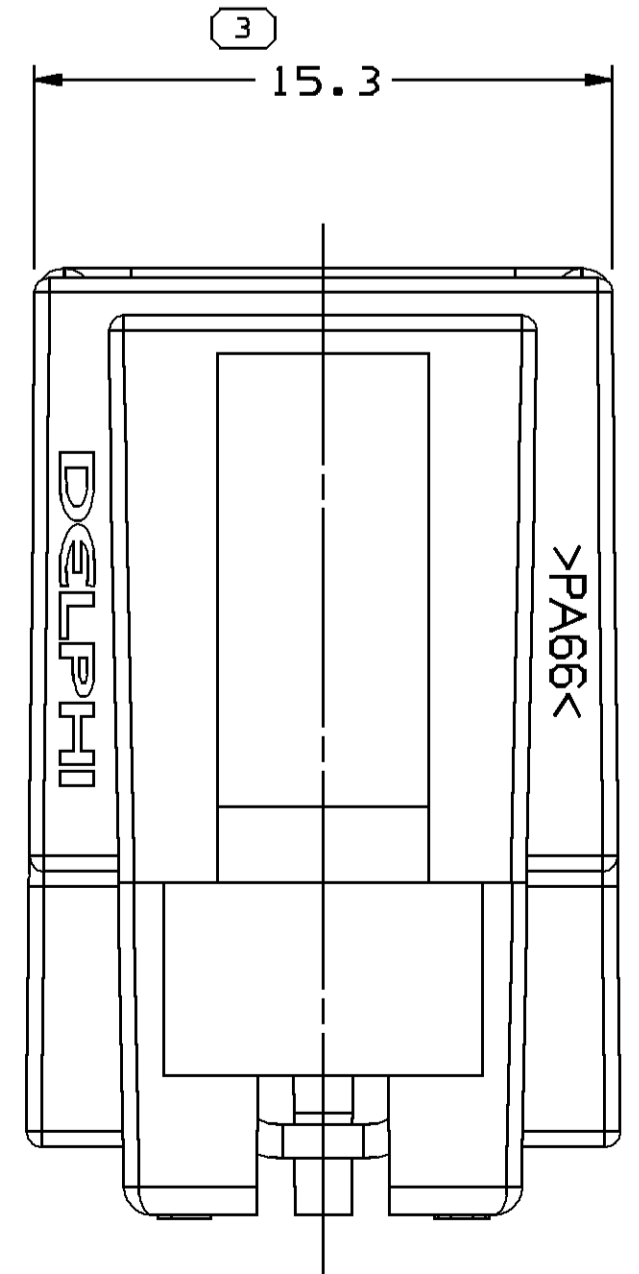
SYMBOL DEFINITION				TOTAL NO OF INSPECTIONS REQUIRED		LAST NO. USED	
A DIMENSION WITHOUT AN INSPECTION REPORT SYMBOL DOES NOT REQUIRE INSPECTION. IT MAY BE CONTROLLED ON THE INDIVIDUAL COMPONENT DRAWING.				5		5	

MISSING SYMBOLS				NO MISSING SYMBOL NUMBER	
DATE	STG	REV	N/P	CHG	ZONE
16AP99	-	A4	-	-	-
27OC06	R	A5	-	-	-
27AP07	R	A6	-	-	-

REVISION HISTORY				AUTH	DR	AP/VD	AP/VD
REDRAWN & REVISED NOTES				191593	LM	JHV	JHV
ADDED NOTE 6 AND UPDATED DRAWING FORMAT				286202	MM	RR	MM
REVISION A5 WAS OIAE				401261	MAC	MAC	RWR



SECTION A - A



- NOTES
- UNLESS OTHERWISE SPECIFIED AND/OR INDICATED: DIMENSIONS ARE TO FACE OF VIEW SHOWN AND AUTOMATICALLY ROUNDED BY COMPUTER FOR INSPECTION. (SEE MATH MODEL FOR PRECISE DIMENSIONS.) FOR ALL OTHER DIMENSIONS NOT SHOWN BUT REQUIRED FOR TOOL BUILD, SEE MATH MODEL FOR PRECISE TOOL PATH DATA.
 - MATING COMPONENTS OR EQUIVALENT: CONNECTOR 12186799, TERMINAL 12034046, TERMINAL POSITION ASSURANCE 12077922, CONNECTOR POSITION ASSURANCE 12077979
 - 12077920 CLIP MUST BE FULLY SEATED IN 12077919 CONN BODY.
 - SEALING CODE 0.
 - REFERENCE VPS# B-32 12077921 SHORTING CLIP ASSEMBLY
 - REFERENCE VPS# B-216 FOR ALLOWABLE TOOL MARKS.

Dwg TYPE		PART DRAWING	
STYLE		DISTR CODE	D
VOLUME 10/1			
UNLESS OTHERWISE SPECIFIED THIS DOCUMENT IS IN ACCORDANCE WITH ASME Y14.5M-1994 AS AMENDED BY THE IN-SOURCE DIMENSIONING AND TOLERANCE ADDENDUM-2001. SEPARATE WRITINGS OF FEATURES MAY BE BASED SEPARATELY PER POLICY OF DIVISION REFERENCES.			
ALL DIMENSIONS ARE IN MILLIMETERS			
THIRD ANGLE PROJECTION			
DO NOT SCALE			
USE MATH DATA			

DELPHI
DELPHI PACKARD ELECTRICAL/ELECTRONIC ARCHITECTURE
NAPER, OH

DR	DATE
APV01 L.E. TURKSON	11NOB87
APV02 F. HESTON	21DEC87
APV03 C. MARGRAVE	22DEC87
APV04	
APV05	

SUBSTANCES OF CONCERN AND RECYCLED CONTENT PER DELPHI 10949001

DRAWING NAME
ASM CONN 2 F M/P 280 YEL

DRAWING NUMBER
12077921

SIZE A0 SCALE 5:1 FRM NO 1 OF 1 SHEET NO 1 REV N/P

12077921	A6	-	-	12077919	12077920
ASM PART NO	REV	N/P	STATUS	CONNECTOR BODY	SHORTING CLIP

DIMENSIONAL RANGE (MM)				CHART	E
FROM	0	> 20	> 30	> 70	> 100
TO	20	30	70	100	
TOLERANCE UNLESS OTHERWISE SPECIFIED					
[0, .1] [0, .2] [0, .3] [0, .4] [0, .5]					
ANGULAR TOLERANCE 2°					

Date: 02-May-07 Time: 22:21

X-ON Electronics

Largest Supplier of Electrical and Electronic Components

Click to view similar products for [Automotive Connectors](#) category:

Click to view products by [APTIV](#) manufacturer:

Other Similar products are found below :

[003-018-000](#) [60403001](#) [60993906-B](#) [629515004020001](#) [M902-2131](#) [M902-2161](#) [72.330.1035.1](#) [73.353.4028.0](#) [F119300-B](#) [F166900](#)
[F258300-B](#) [F358300-B](#) [F407400](#) [F444110](#) [F487000](#) [F509500B-B](#) [827153-1](#) [8N1515-32-24P](#) [9-1326729-8](#) [925474-1](#) [928905-1](#) [964562-4](#)
[968782-1](#) [GT17SA-8DS-HU](#) [98891-1012](#) [98947-1016](#) [12004475-L](#) [12010290](#) [12010309-B](#) [12015454](#) [12020219-B](#) [12020308](#) [12041318-B](#)
[12052225-L](#) [12052466](#) [12059125](#) [12064869](#) [12004327-B](#) [12010503-B](#) [12015308](#) [12015384](#) [12015909](#) [1-21030-1](#) [12041254](#) [12041318](#)
[12047946-B](#) [12047957](#) [12047957-L](#) [12059473](#) [12066261](#)