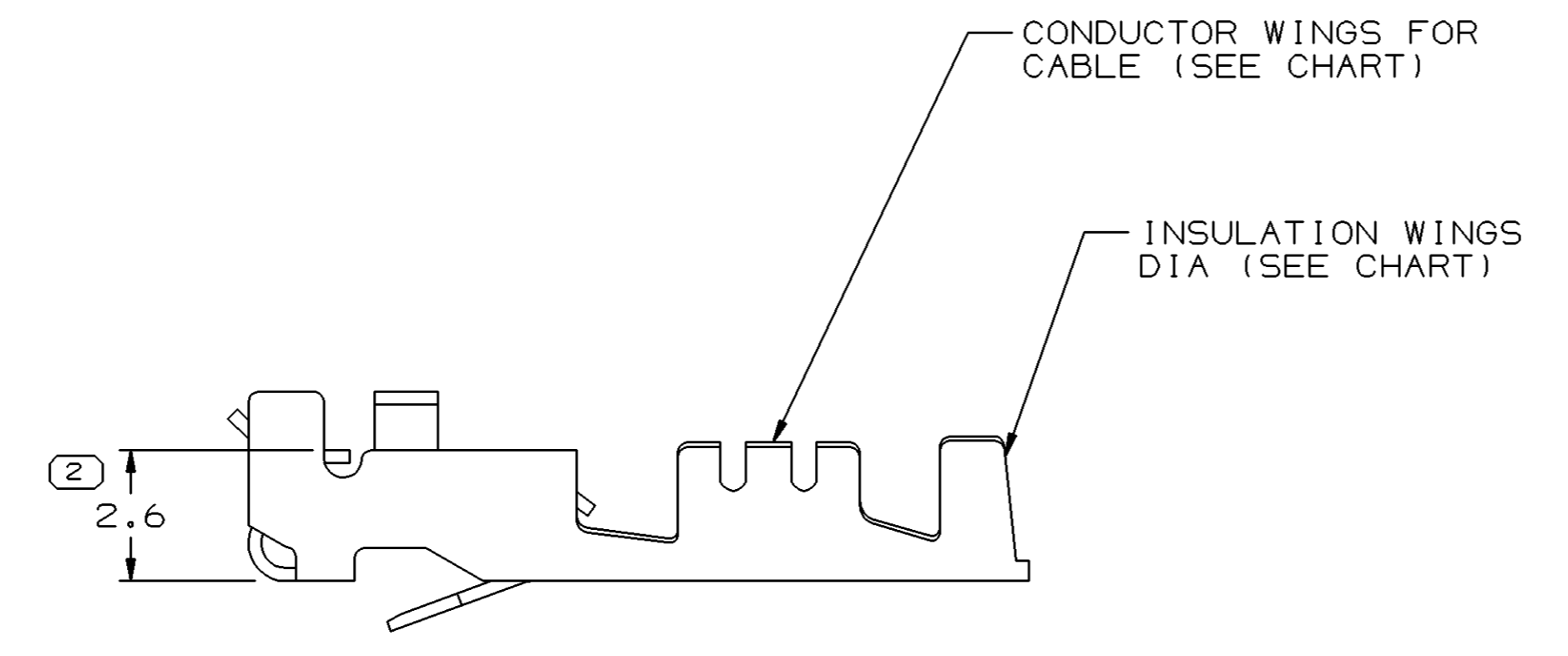
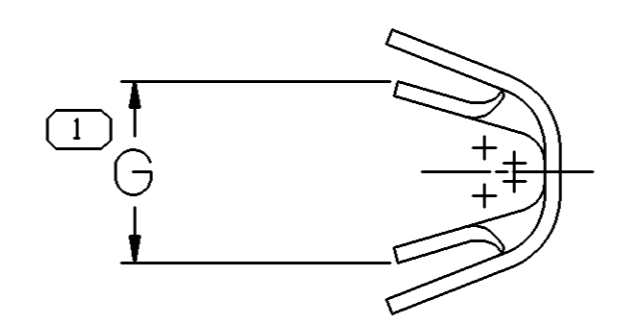
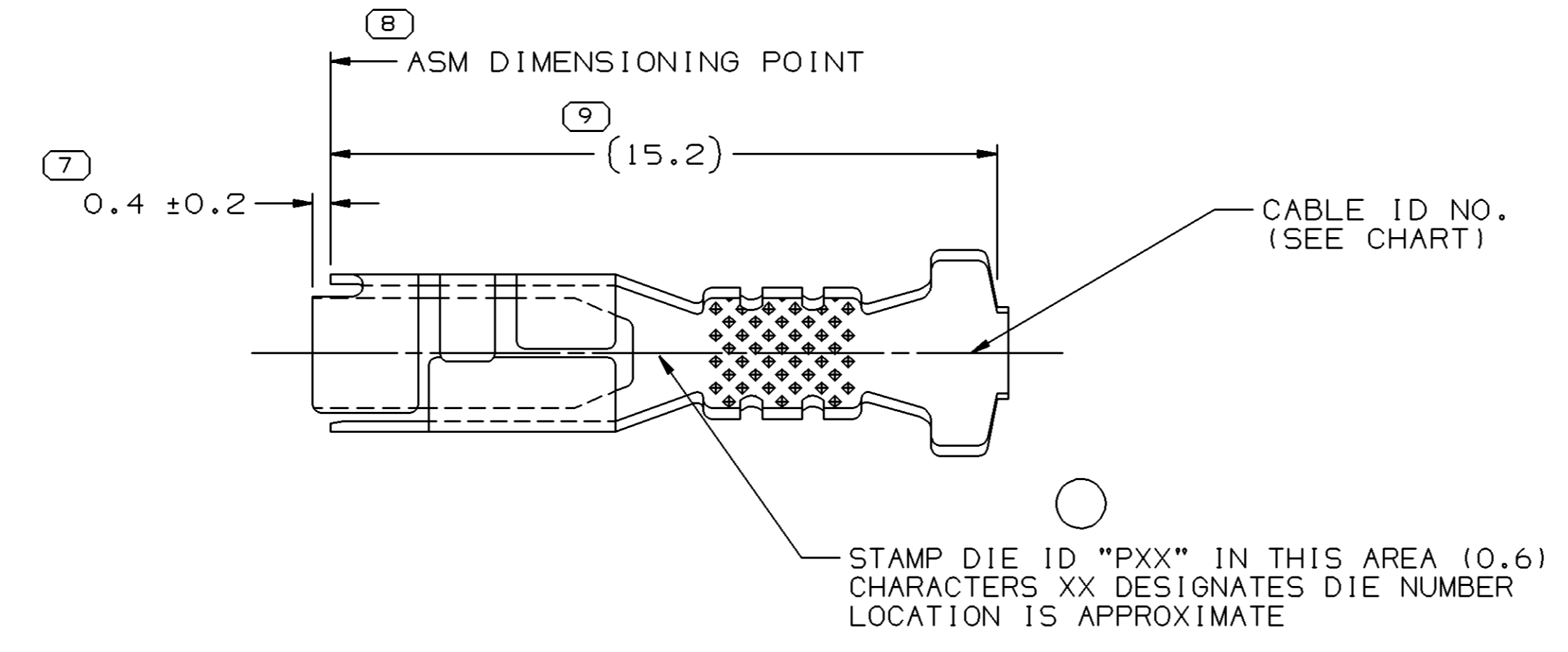
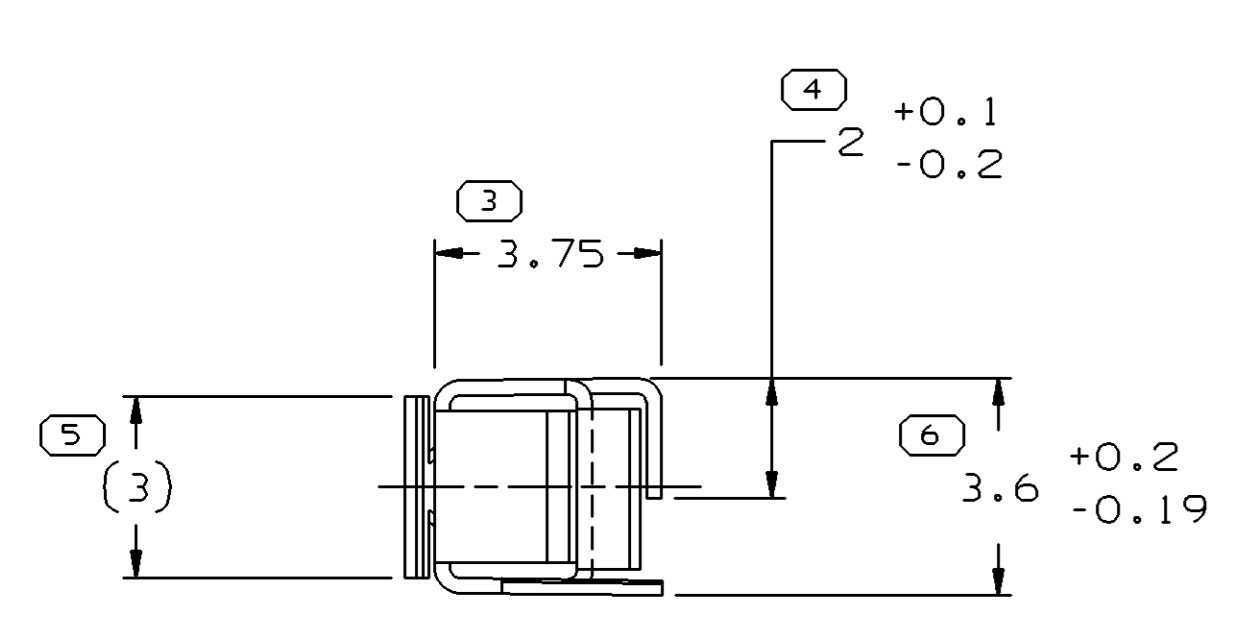


SYMBOL DEFINITION		MISSING SYMBOLS	
A DIMENSION WITHOUT AN INSPECTION REPORT SYMBOL () DOES NOT REQUIRE INSPECTION. IT MAY BE CONTROLLED ON THE INDIVIDUAL COMPONENT DRAWING.	TOTAL NO OF INSPECTIONS REQUIRED	NO MISSING SYMBOL NUMBER	9
	LAST NO. USED		9

DWG STATUS					ZONE	REVISION HISTORY	AUTH	DR	APVD1	APVD2
DATE	STG	REV	N/P	CHG						
17MY04	R	03	-	-		ALL PARTS - CLEARED REV COL, REVISED DIMS AND REDRAWN TO PD 12160248 - OBSOLETE 12103360 & 12077939 - REVISED LOCK TANG	253922	CCV	FRG	WTM
150C04	R	04	-	-		ALL ACTIVE PARTS - ADDED TERMINAL ID NOTE	260003	RTV	JVM	MKM



NOTES

1. RECOMMENDED MATING BLADE - WIDTH: 2.88/2.42
THICKNESS: 0.86/0.79
LENGTH: 7.1/6.9.
2. RECOMMENDED BLADE MATERIAL - MALE BLADE MATERIAL SHOULD HAVE AN ELECTRICAL CONDUCTIVITY ≥ 20% IACS AT 68°F. USE OF MATERIAL WITH CONDUCTIVITY < 20% IACS SHOULD BE APPROVED BY PACKARD ELECTRIC.
3. TERMINAL USED IN 12065454 CONNECTOR OR EQUIVALENT.
4. UNLESS OTHERWISE SPECIFIED AND/OR INDICATED: DIMENSIONS ARE TO FACE OF VIEW SHOWN AND AUTOMATICALLY ROUNDED BY COMPUTER FOR INSPECTION.

PART NO	REV	N/A	STATUS	MAT'L SPEC	SIZE (MM ²)	I.D.	DIA	
12160248	A1		OBSOLETE	PM003612-420	1-0.8-0.5	60	2.4-2.03	3±0.3
12103360	02	AA		M3604420 C65400 HD	0.5-0.35	21	2.19-1.3	2.1
12077939	04	AA		M3604420 C65400 HD	1-0.8-0.5	60	2.4-2.03	3±0.2
			PLATED					G

6 PROCESS SENSITIVE DIMENSION	
DIMENSIONS ENCLOSED IN () INDICATE REFERENCE DIMENSIONS AND NO TOLERANCE LIMITS ARE ESTABLISHED	
DIMENSIONAL RANGE (MM)	CHART D
FROM 0	>12
TO 12	
TOLERANCE UNLESS OTHERWISE SPECIFIED	
±0.1	±0.2
ANGULAR TOLERANCE ±2°	

DWG TYPE		PART DRAWING	
STYLE			
VOLUME (CM ³)		DISTR CODE	
UNLESS OTHERWISE SPECIFIED			
THIS DOCUMENT IS IN ACCORDANCE WITH ASME Y14.5M-1994 AS AMENDED BY THE GM GLOBAL DIMENSIONING AND TOLERANCING ADDENDUM-2001. SEPARATE PATTERNS OF FEATURES MAY BE GAGED SEPARATELY REGARDLESS OF DATUM REFERENCES.			
ALL DIMENSIONS ARE IN MILLIMETERS			
REFERENCE			
THIRD ANGLE PROJECTION	DO NOT SCALE	UNIGRAPHICS	

DELPHI						
DELPHI PACKARD ELECTRIC SYSTEMS WARREN, OH						
DR	DATE					
APVD1 E. LUQUENO	31MR97					
APVD2 FCO. KOPCA	02AP97					
APVD3 O. GALLEGOS	22AP97					
APVD4						
APVD5						
SUBSTANCES OF CONCERN AND RECYCLED CONTENT PER DELPHI 10949001						
MATERIAL SEE CHART						
DRAWING NAME						
TAXI TERM M/P 280.1						
DRAWING NUMBER						
12059227						
SIZE	SCALE	FRAME NO	SHEET NO	STG	REV	N/P
A1	8:1	1 OF 1	2 OF 2	R	04	-

X-ON Electronics

Largest Supplier of Electrical and Electronic Components

Click to view similar products for [Automotive Connectors](#) category:

Click to view products by [APTIV](#) manufacturer:

Other Similar products are found below :

[003-018-000](#) [60403001](#) [60993906-B](#) [629515004020001](#) [M902-2131](#) [M902-2161](#) [72.330.1035.1](#) [73.353.4028.0](#) [F119300-B](#) [F166900](#)
[F258300-B](#) [F358300-B](#) [F407400](#) [F444110](#) [F487000](#) [F509500B-B](#) [827153-1](#) [8N1515-32-24P](#) [9-1326729-8](#) [925474-1](#) [928905-1](#) [964562-4](#)
[968782-1](#) [GT17SA-8DS-HU](#) [98891-1012](#) [98947-1016](#) [12004475-L](#) [12010290](#) [12010309-B](#) [12015454](#) [12020219-B](#) [12020308](#) [12041318-B](#)
[12052225-L](#) [12052466](#) [12059125](#) [12064869](#) [12004327-B](#) [12010503-B](#) [12015308](#) [12015384](#) [12015909](#) [1-21030-1](#) [12041254](#) [12041318](#)
[12047946-B](#) [12047957](#) [12047957-L](#) [12059473](#) [12066261](#)