

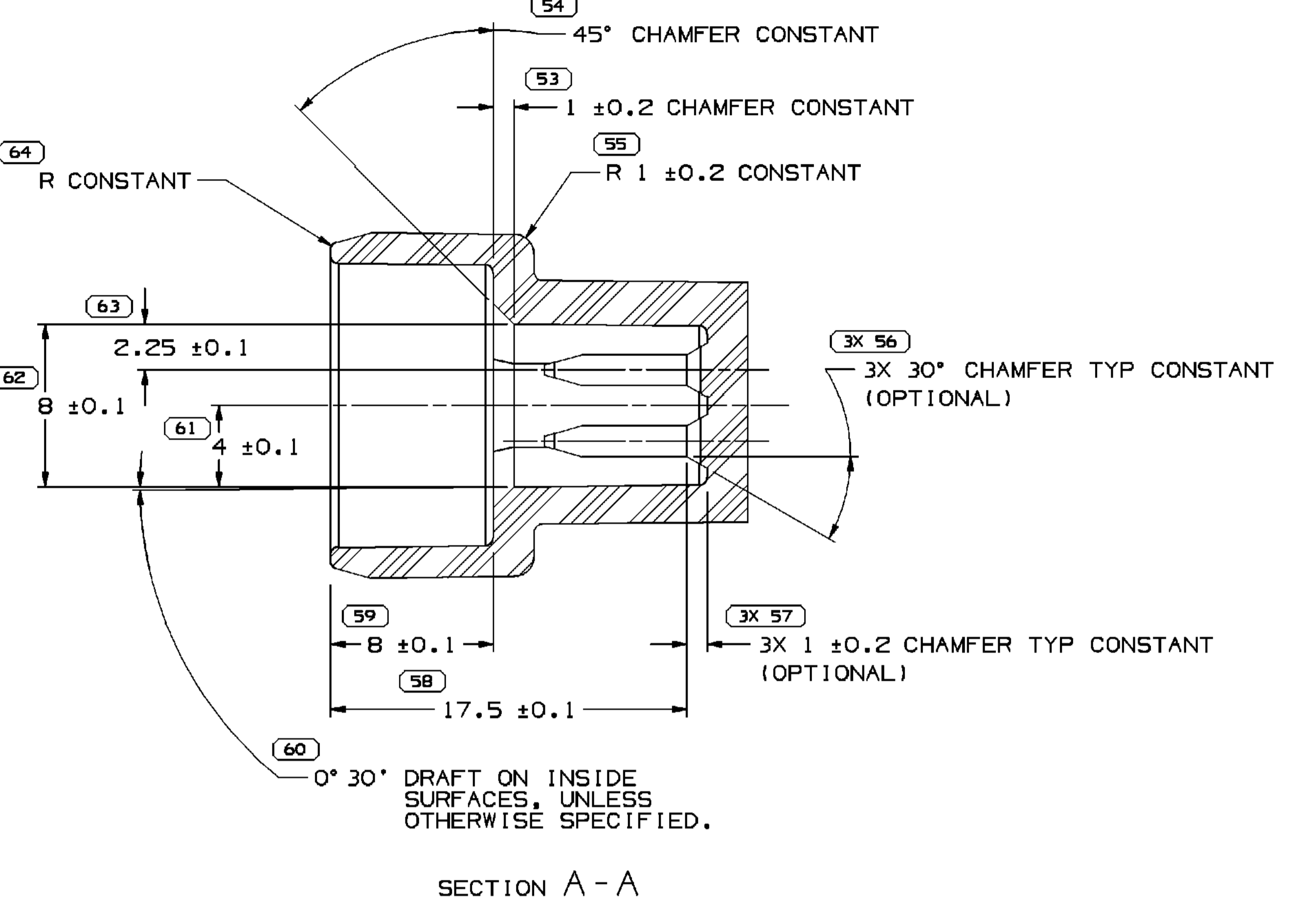
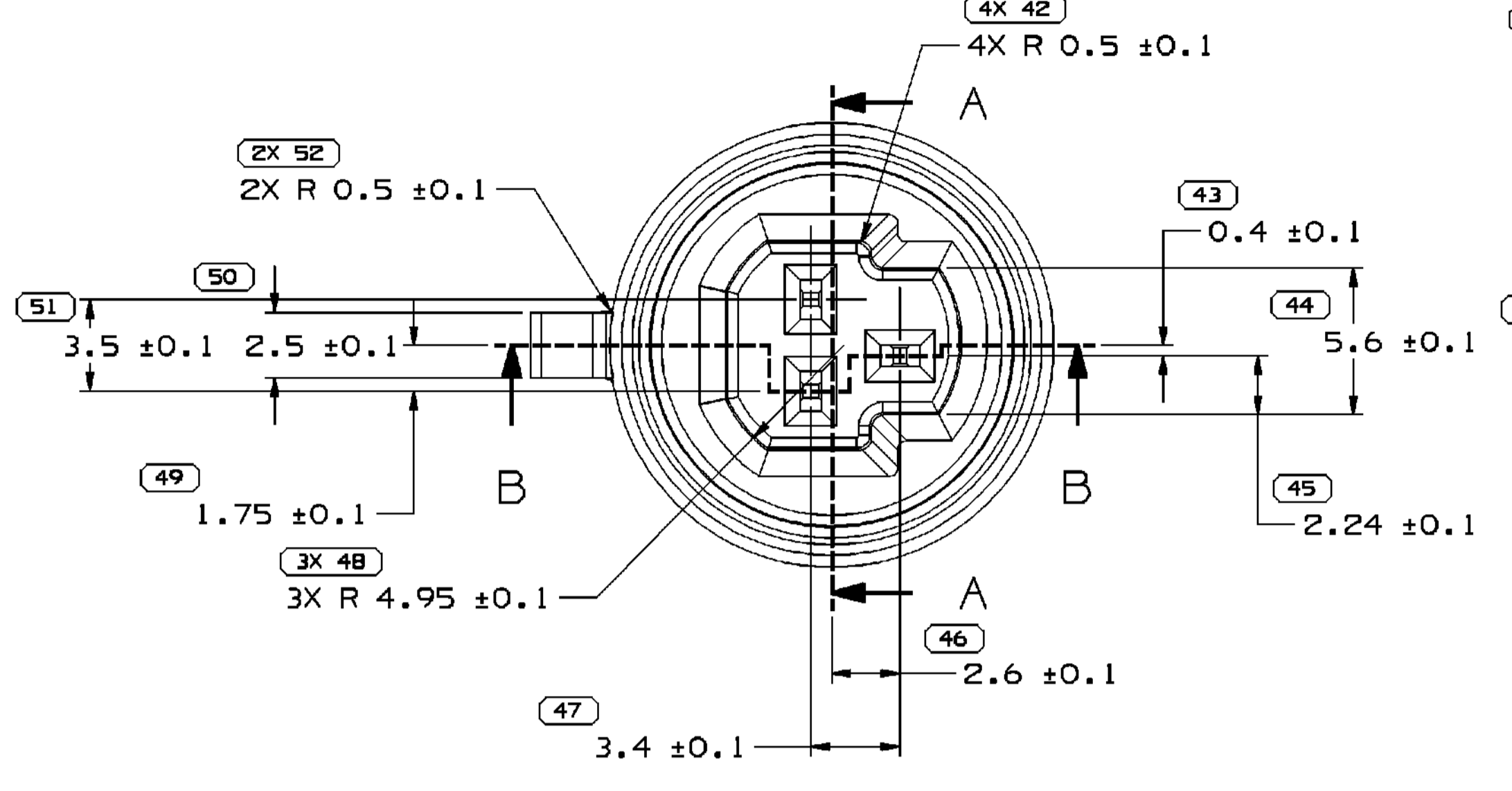
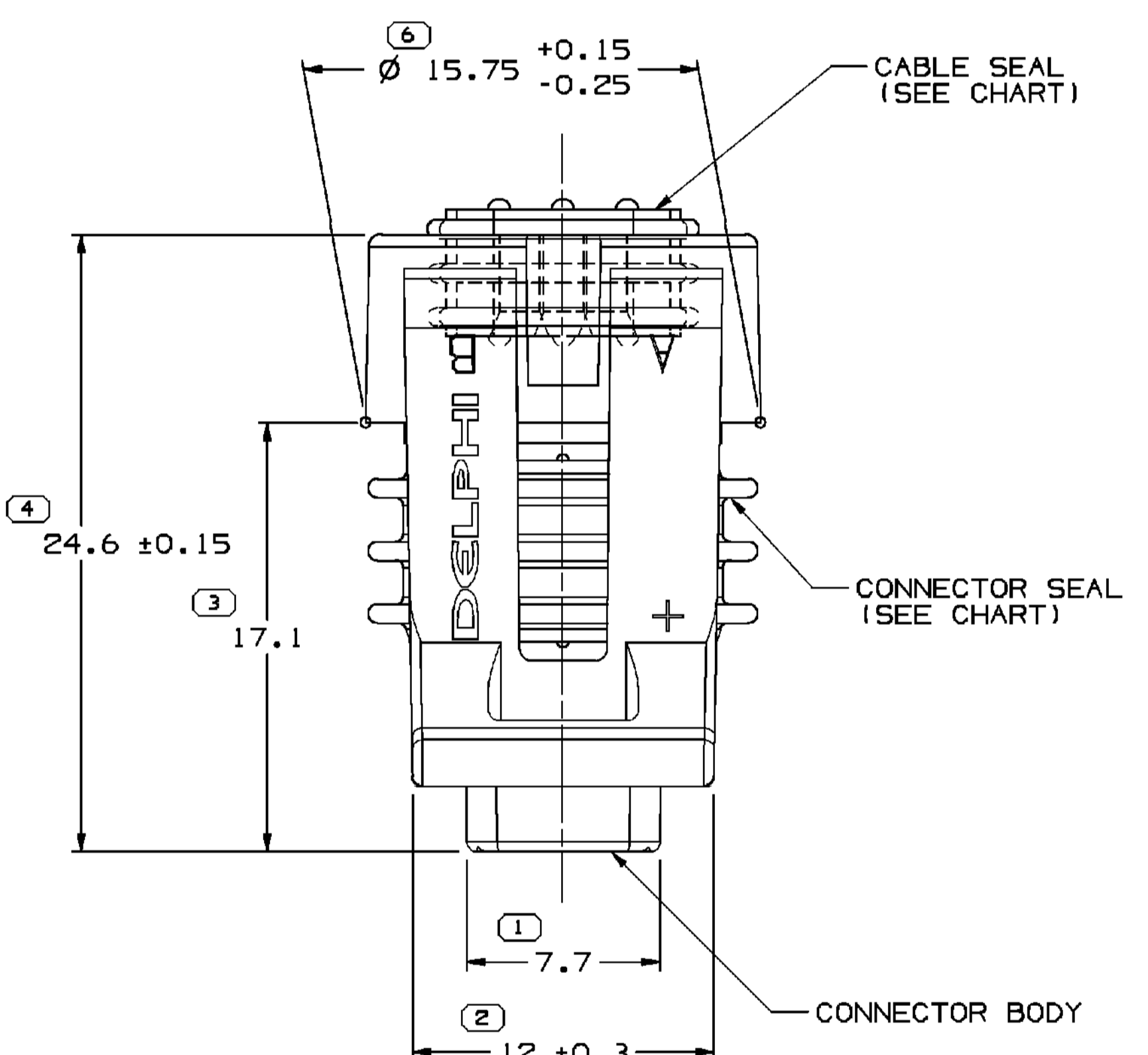
RECOMMENDED MATERIAL:  
P-1546 (CA210) EXTRA SPRING  
TEMPER-TIN PLATED BRASS

PLATING THICKNESS: 0.005-0.003 MM

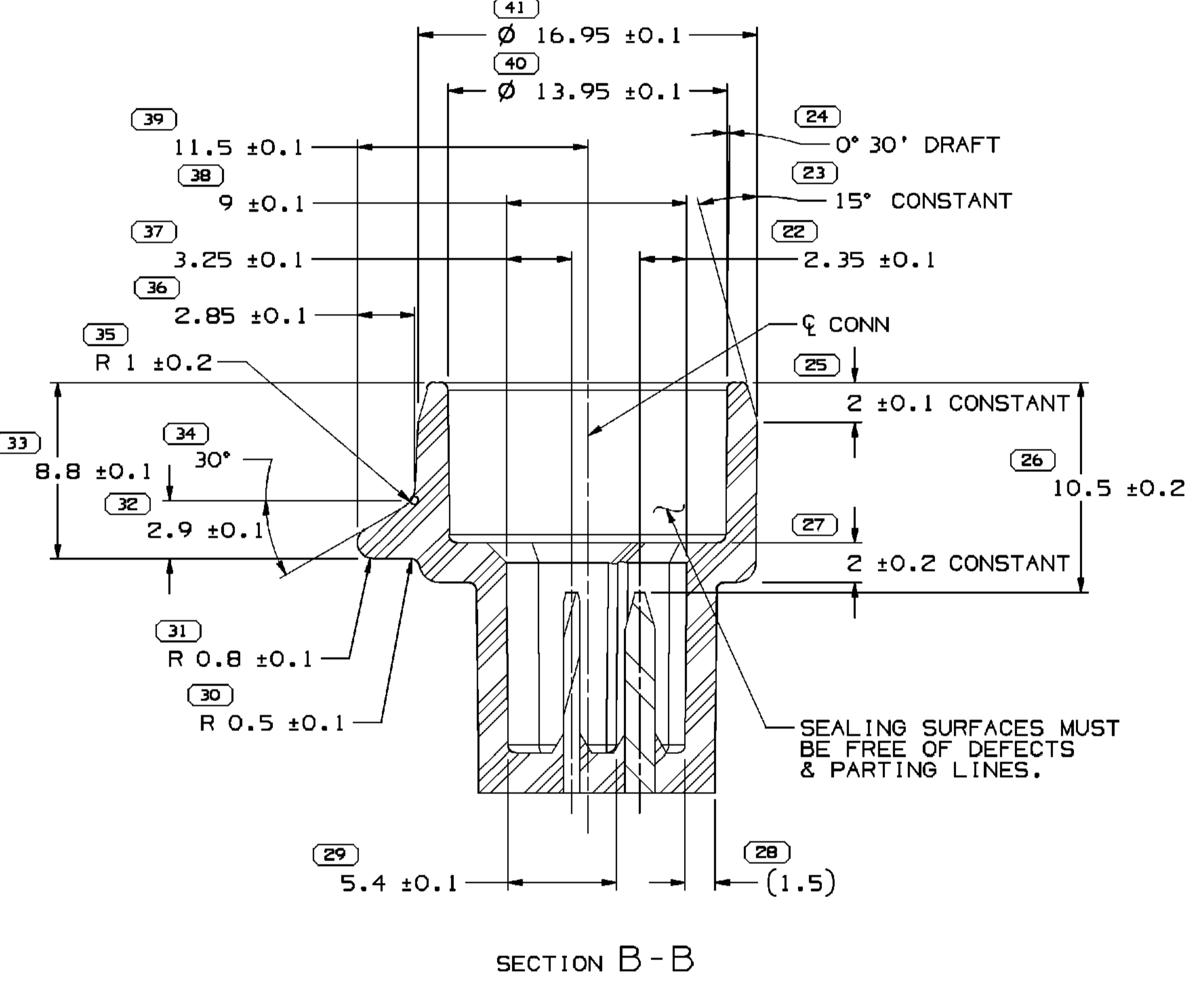
TENSILE STRENGTH: 480-430 MPa

**MATING TERMINAL  
INFORMATION**  
SCALE 10:1

INSPECTION SYMBOLS SHOWN IN THESE  
VIEWS ARE FOR REFERENCE ONLY



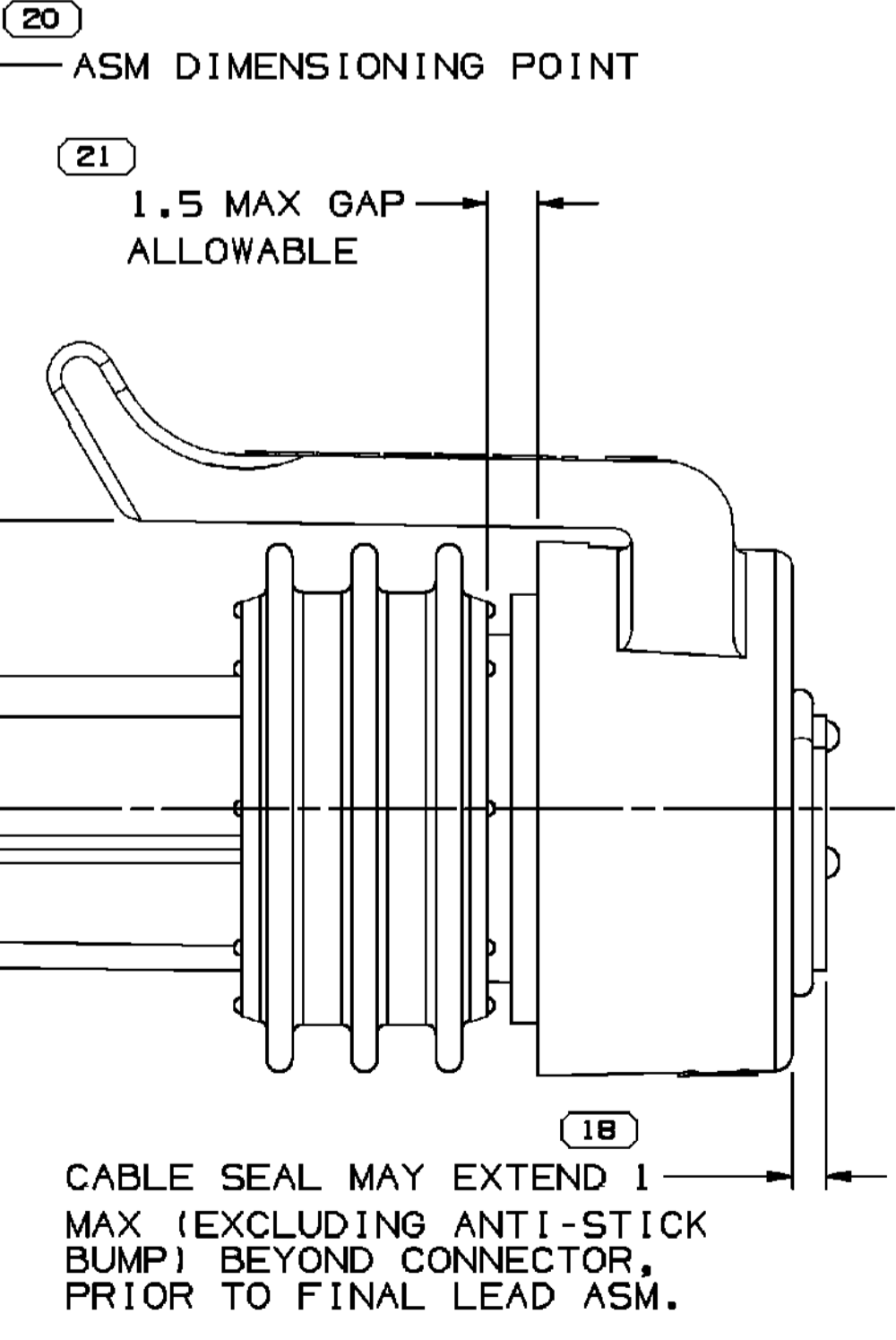
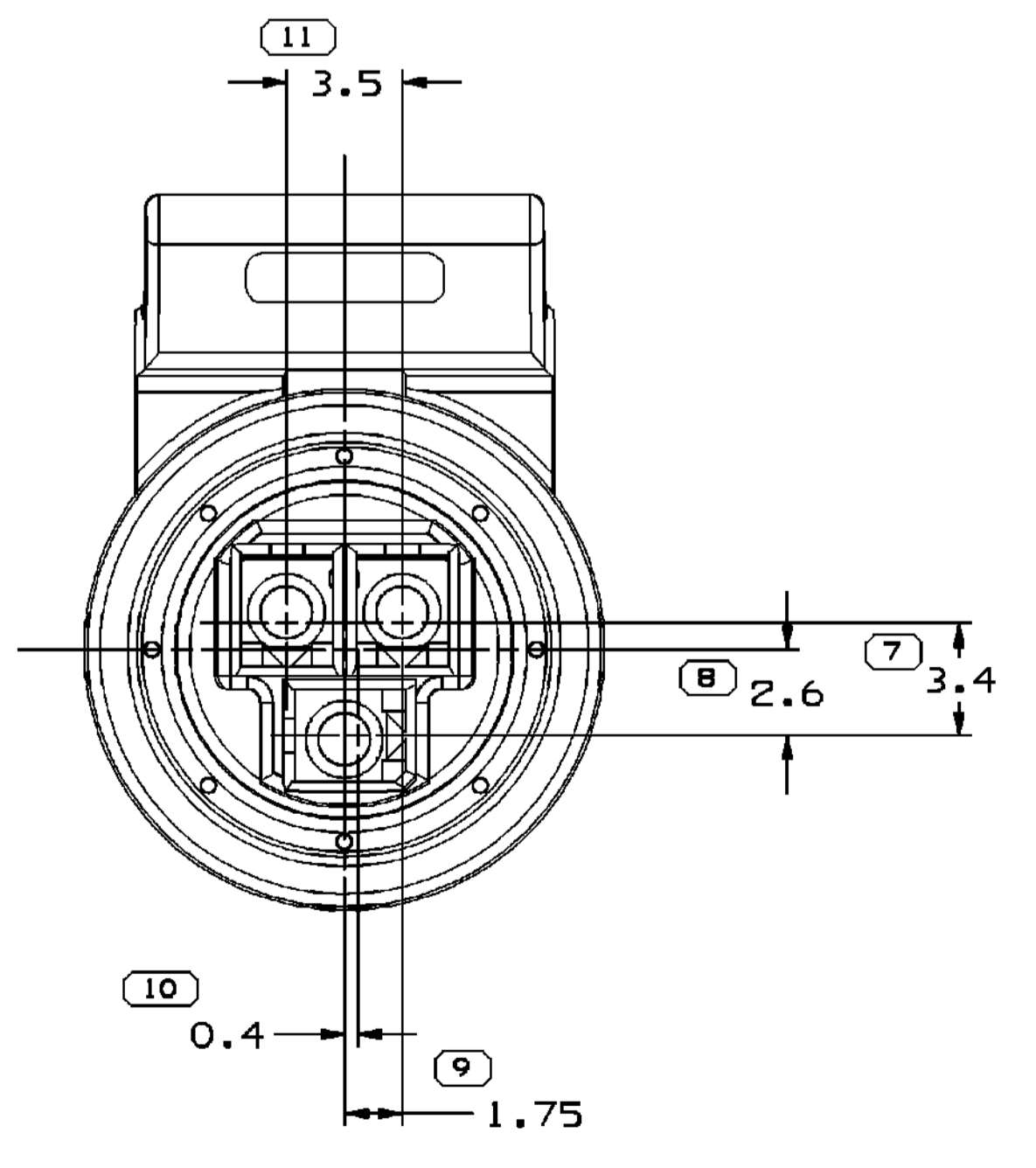
**SECTION A-A**



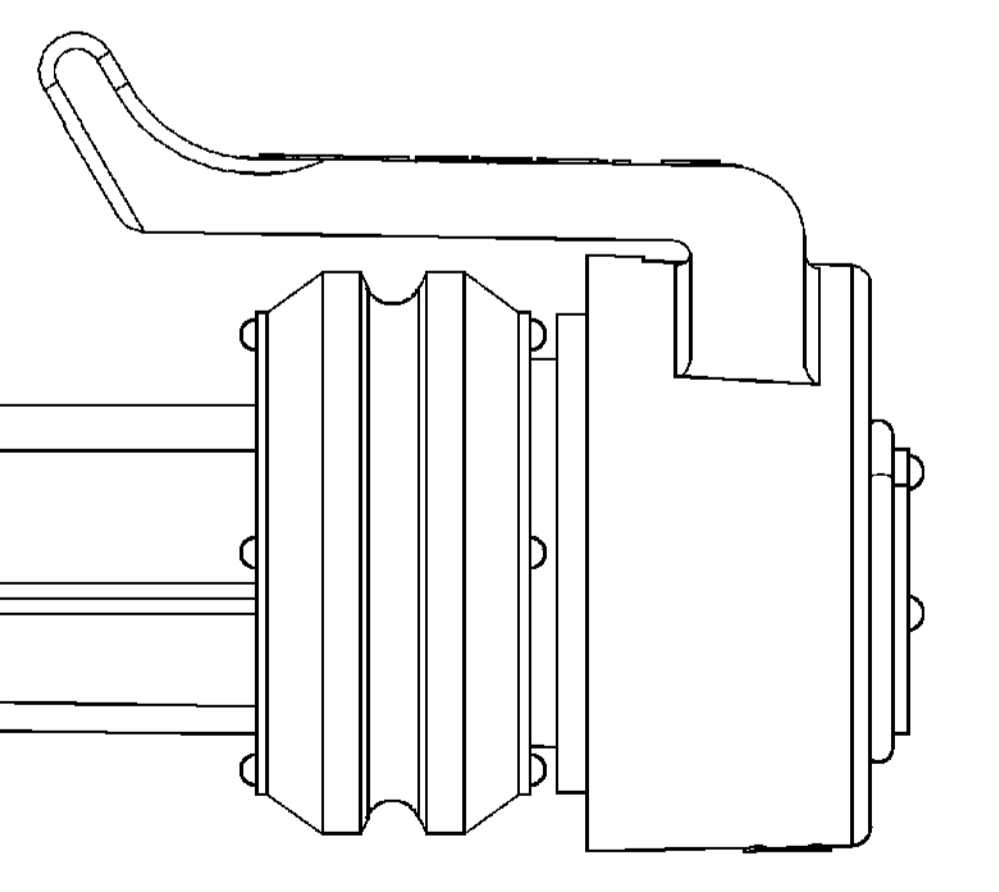
**MATING CONNECTOR  
INFORMATION**

RECOMMENDED MATERIAL: GLASS-FILLED POLYESTER  
M-2192-001-NATURAL

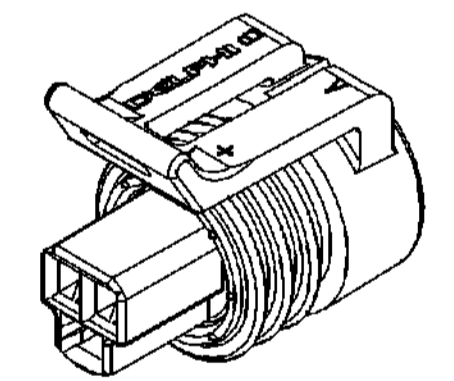
INSPECTION SYMBOLS SHOWN IN THESE  
VIEWS ARE FOR REFERENCE ONLY



**TYPE 101**



**TYPE 102**  
SAME AS TYPE 101  
EXCEPT AS SHOWN



**NOTES**

- UNLESS OTHERWISE SPECIFIED AND/OR INDICATED: DIMENSIONS ARE TO FACE OF VIEW SHOWN AND AUTOMATICALLY ROUNDED BY COMPUTER FOR INSPECTION (SEE MATH MODEL FOR PRECISE DIMENSIONS). FOR ALL OTHER DIMENSIONS NOT SHOWN BUT REQUIRED FOR TOOL BUILD, SEE MATH MODEL FOR PRECISE TOOL PATH DATA.
- WHEN PARTS ARE SHIPPED THEY MUST BE PACKED IN PLASTIC BAGS OR SHIPPING CONTAINERS MUST BE LINED WITH PLASTIC LINERS. BAGS OR LINERS MUST BE SEALED TO AVOID ENTRY OF FOREIGN MATTER.
- SEALING CODE 3 - DESIGN WILL PASS SALT FOG AND IMMERSION TEST AFTER CONDITIONING AS SPECIFIED IN ESA-644 (WEATHER-PACK), ESA-710 (METRI-PACK), ESA-650 (UNDERHOOD MICRO-PACK), C-4006 (WORLD CONNECTOR), ETC WHEN MATED TO MATING PART OR EQUIVALENT
- THIS PART ACCEPTS THE FOLLOWING COMPONENTS OR EQUIVALENT: CAVITIES TO ACCEPT 12047680 TERMINAL.
- FOR LEAD LENGTH CALCULATIONS, DISTANCE FROM MATING END OF CONNECTOR TO FRONT END OF CABLE CORE IS 10.15/7.05.
- FOR PART NUMBERS WITH ADHESIVE, USE M3510001 OR ADHESIVE APPROVED BY MATERIALS ENGINEERING TO GLUE CONNECTOR SEAL TO CONNECTOR.
- FOR APPLICATION DATA SEE THE INDIVIDUAL APPLICATION DRAWINGS.
- 5-60-T LUBEWELL LUBRICANT CAN BE USED AS AN AUXILIARY SUPPORT ON THE CABLE INSTALLATION PROCESS.

SYMBOL DEFINITION			TOTAL NO OF INSPECTIONS REQUIRED	77
A DIMENSION WITHOUT AN INSPECTION REPORT SYMBOL DOES NOT REQUIRE INSPECTION. IT MAY BE CONTROLLED ON THE INDIVIDUAL COMPONENT DRAWING.			LAST NO. USED	64

DWS STATUS				REVISION HISTORY		AUTH		DR		APVD/APVD	
DATE	STG	REV	W/P	CHG	ZONE						
310C02	R	01	-	-		CLEARED REVISION COLUMN, REDRAWN TO PD & 15452173 - RELEASED	232301	ECB	JVM	MDB	
060C11	R	02	-	-		ALL PARTS - CREATED APPLICATION DATA	415663	CB0	CB0	SEM	
03JA14	R	03	-	-		ALL PARTS - ADDED LUBEWELL LUBRICANT NOTE	424997	JVR	JVM	KRM	

PART NO. WITH ADHESIVE	REV	N/P	PART NO. WITHOUT ADHESIVE	REV	N/P	CONNECTOR	CONNECTOR SEAL	CABLE SEAL & COLOR
1218689	B3	-	15452173	01	AB	102	12065286	15439078 12065285 - RED
-	-	-	12186827	A3	-	101	12065286	12186821 12110072 - TAN
-	-	-	12162226	C3	-	101	12162225	12052893 12078089 - PURPLE
-	-	-	12110192	B3	-	101	12065286	12052893 12110072 - TAN
-	-	-	12078090	C3	-	101	12065286	12078089 - PURPLE
-	-	-	12065287	B3	-	101	12065286	12052893 12065285 - RED

DIMENSIONAL RANGE (MM)	CHART SET
FROM > 0	> 20
> 20	> 30
> 30	> 40
> 40	> 50
> 50	> 60
> 60	> 70
> 70	> 80
> 80	> 90
> 90	> 100
> 100	> 150
> 150	> 200
> 200	> 250
> 250	> 300
> 300	> 400

THIRD ANGLE PROJECTION	DO NOT SCALE	USE MATH DATA

**DELPHI CORPORATION**  
TAXI ASM CONN F M/P 150 SLD

12078088

DATE: 20-Dec-13 Time: 08:25

## X-ON Electronics

Largest Supplier of Electrical and Electronic Components

*Click to view similar products for [Automotive Connectors](#) category:*

*Click to view products by [APTIV](#) manufacturer:*

Other Similar products are found below :

[003-018-000](#) [60993906-B](#) [72.330.1035.1](#) [776880-1](#) [827153-1](#) [9-1326729-8](#) [9-221607-5](#) [925474-1](#) [928905-1](#) [964562-4](#) [968782-1](#) [12004468](#)  
[12004475-L](#) [12004483](#) [12052466](#) [12066163](#) [12015909](#) [12077753](#) [1-21030-1](#) [12047957](#) [12047958](#) [12084688](#) [12185550](#) [12336-12](#) [1-](#)  
[326211-1](#) [13681974](#) [13688972](#) [13755420](#) [13779834](#) [13783086](#) [13843152](#) [13522378](#) [13581967](#) [13669624](#) [13675513](#) [13753471](#) [13946876](#)  
[13953457](#) [13955963](#) [13964573](#) [13971791](#) [13790534-L](#) [13797473](#) [13805590](#) [13888202](#) [1428188-1](#) [1437287-3](#) [1428188-2](#) [DS07-19S-5020](#)  
[1456983-5](#)