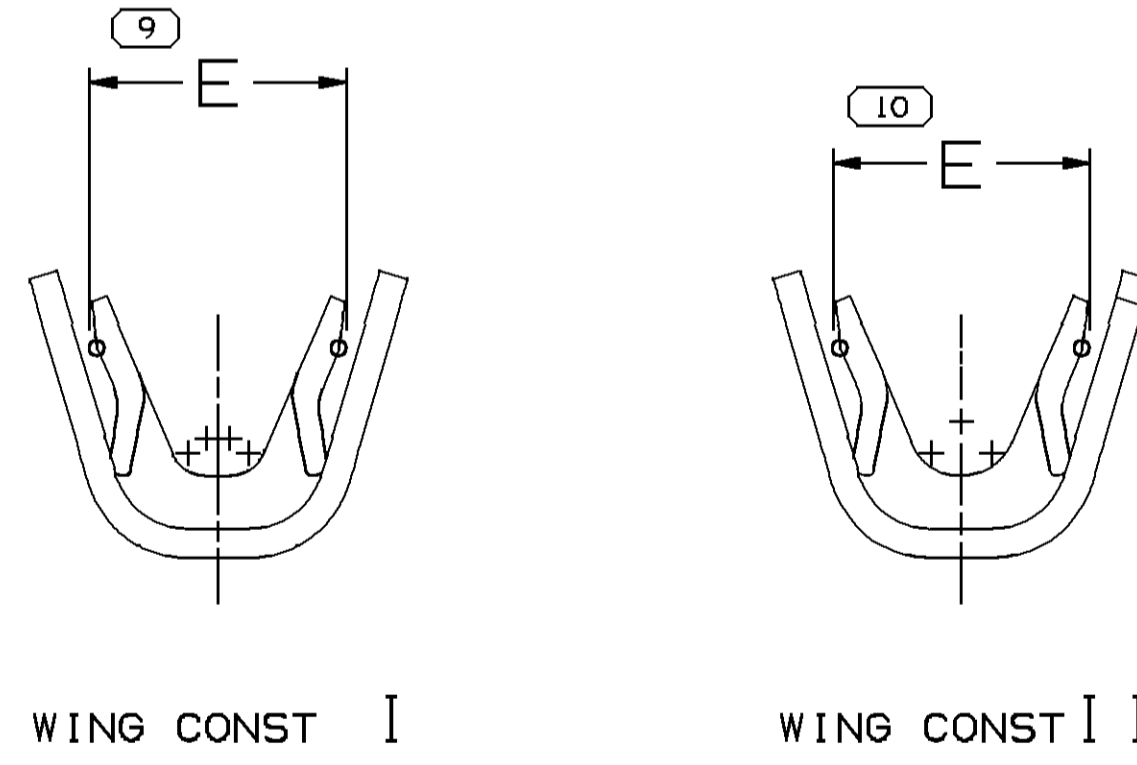
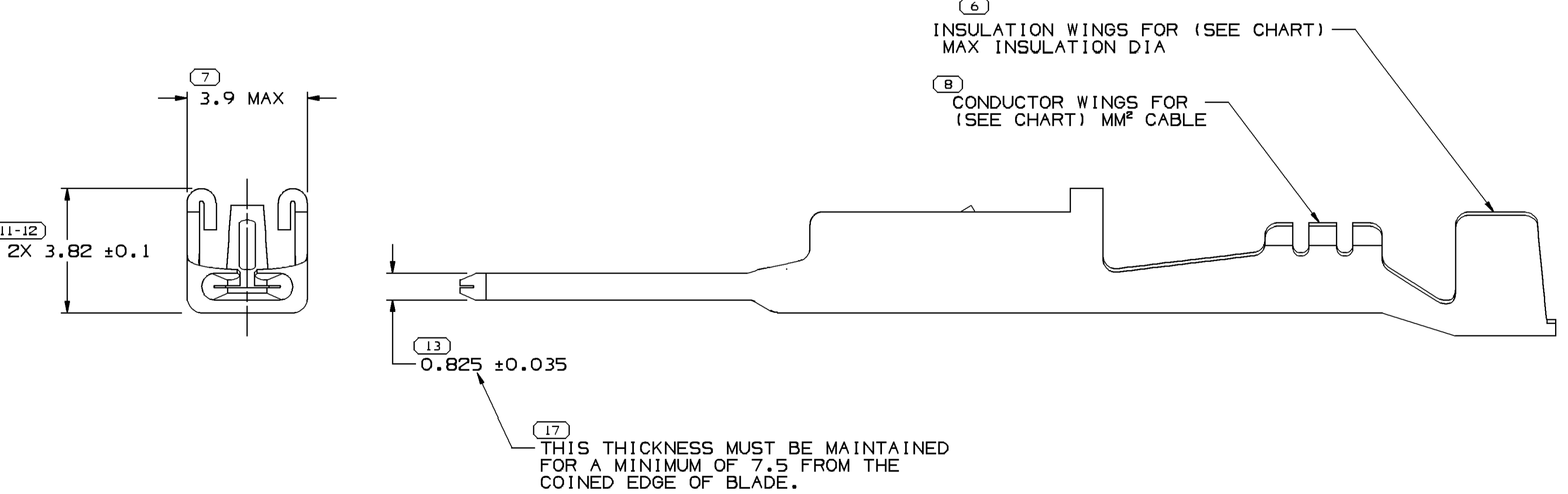
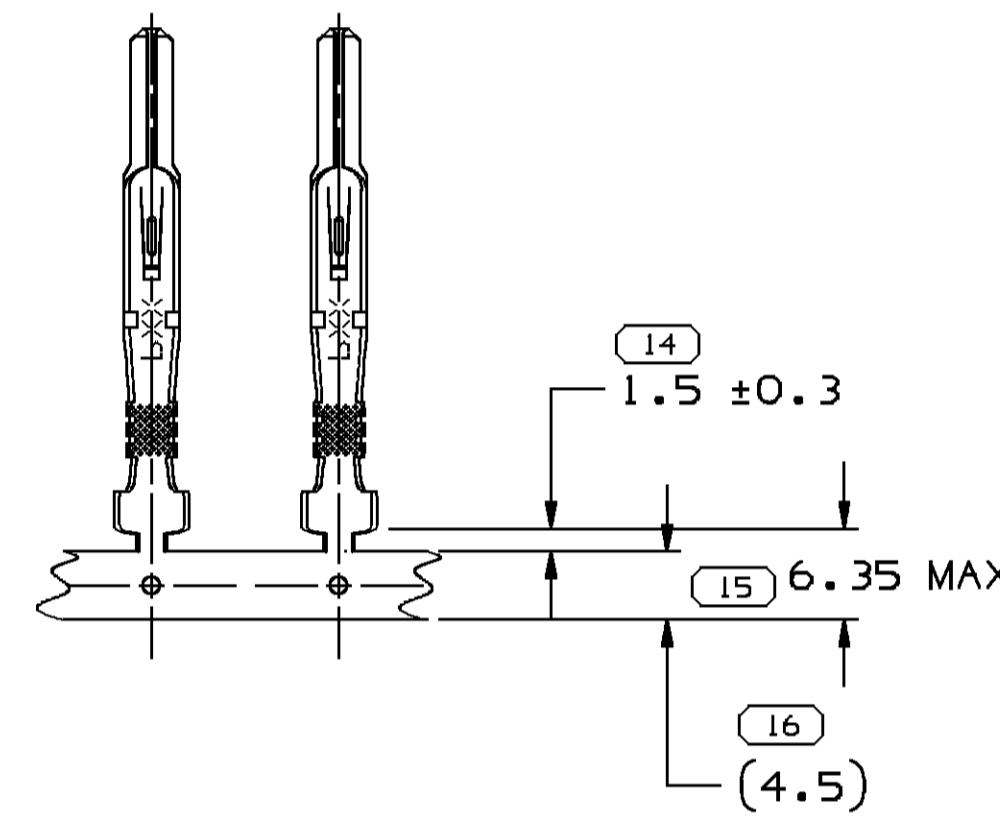
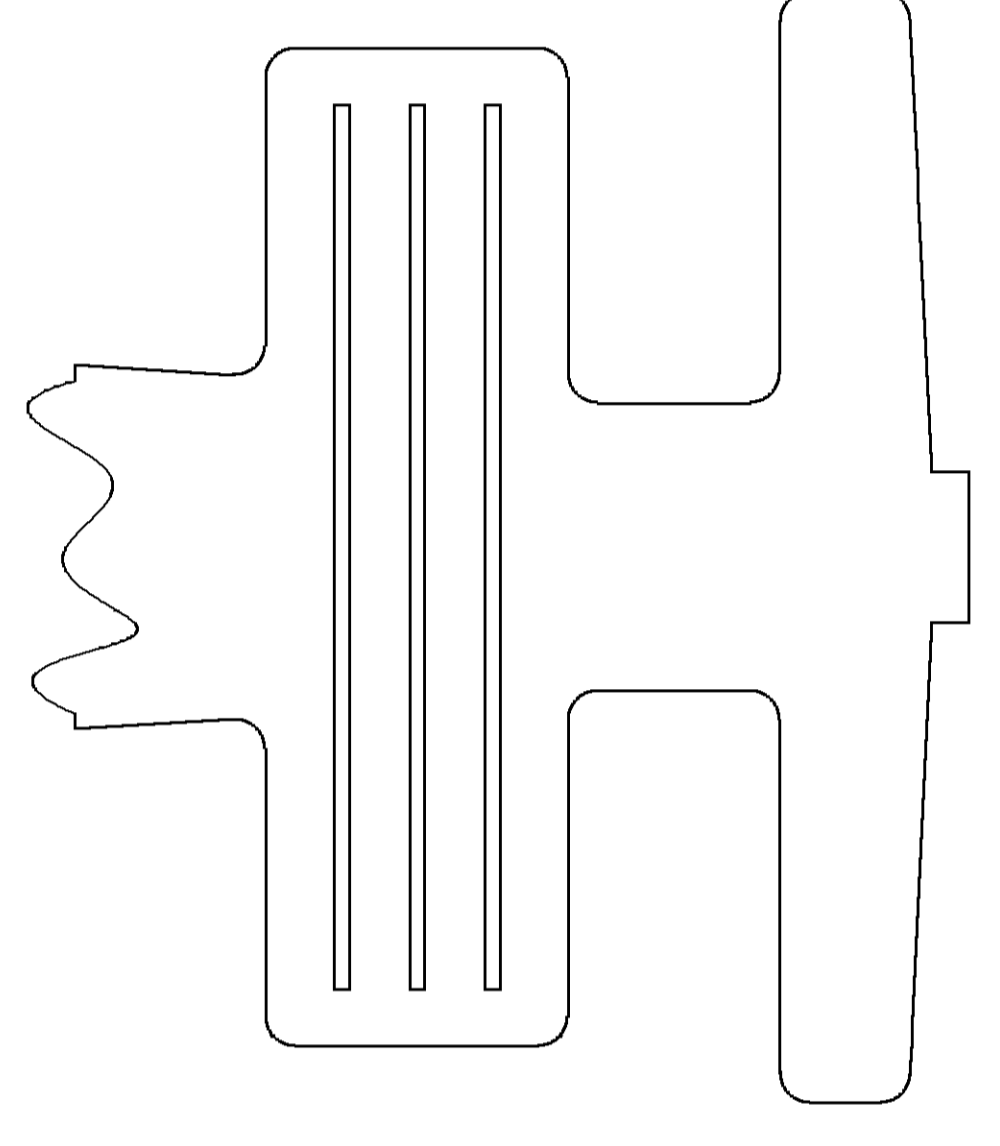
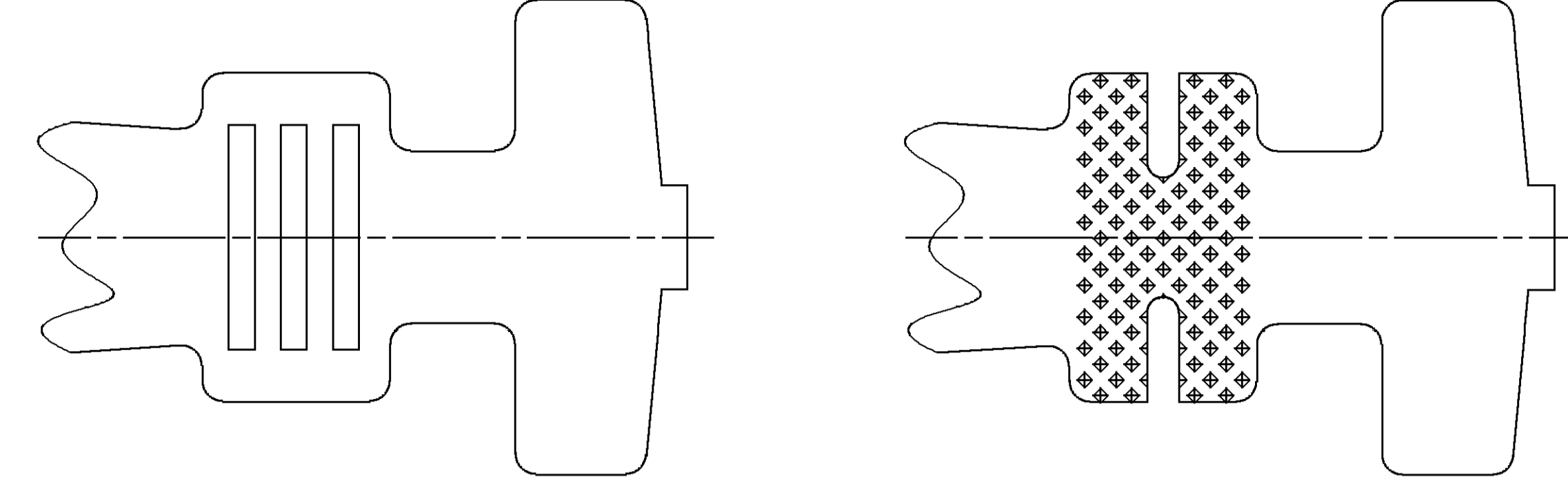
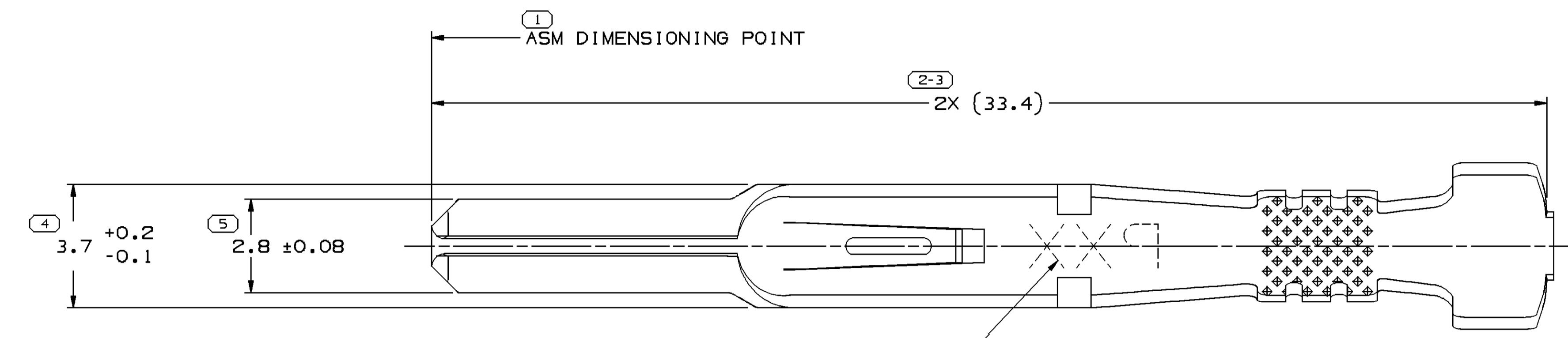


SYMBOL DEFINITION		MISSING NUMBERS	
THE NUMBER INSIDE THE SYMBOL CORRESPONDS TO THE NUMBER ON THE INSPECTION REPORT FOR THIS DRAWING/PART NUMBER	TOTAL NO. OF SYMBOLS ON DRAWING	15	
	LAST NO. USED	17	

DWG STATUS				REVISION HISTORY				AUTH	DR	APVD	APVD
DATE	STG	REV	N/P	CHG	ZONE				1	2	
14AP97	R	-	-	-	-	ALL PARTS - REDRAWN WITH NO PHYSICAL CHANGE - NO REV UPDATE REQ'D	970007	PHC	RRS	-	
14AP97	R	-	-	-	-	15318038, 15318039 AND 15318040 - RELEASED TO REV "A"	970005	PHC	RRS	-	
15N098	R	-	-	-	-	ALL PARTS - REDRAWN TO PD AND REVISED - REV LEVELS ADVANCED	190293	JTC	JHV	-	
01DE03	R	01	-	-	-	ALL ACTIVE PARTS - ADDED VIEW TYPES SPECIFIC TO PART	249493	JS	JS	TM	
02MR09	R	02	-	-	-	13753470 WAS PE180577, 13753471 WAS PE182115 AND RELEASED	407461	TAI	TAI	WTM	
160C09	R	03	-	-	-	13790534 - RELEASED AND ADDED TYPE 104 VIEW	409229	HCB	AUG	WTM	
21DE09	R	04	-	-	-	13790534 - CABLE SIZE WAS 4 - 5 AND DIM E +/- 0.4 WAS 5.8	409673	JAR	JAR	WTM	
11MY10	R	05	-	-	-	13753471 - CABLE DIA WAS 5.24-3.49; 13790534 - CABLE DIA WAS 4.3-3.4	410798	JTZ	JTZ	WTM	
12JAL11	R	06	-	-	-	ALL ACTIVE PARTS - UPDATED PDM ATTRIBUTES	412995	JEG	JAA	LHT	
28JL11	R	07	-	-	-	13753471 - ADDED CRIMPED ONTO 5 MM² NOTE	414952	JCF	JVM	WTM	
08AU12	R	08	-	-	-	12020116, 12020782, 12034047, 12066271, 12064586, 12124085, 12129498, 15318038-40 AND 13753470-71, 13790534 - UPDATED MAT'L CALLOUT	419197	DCH	JVM	MAA	
07AU14	R	09	-	-	-	33179130 - RELEASED	427214	JVR	JVM	JSM	



TYPE 101

- NOTES
- UNLESS OTHERWISE SPECIFIED AND/OR INDICATED:
    - DIMENSIONS ARE TO FACE OF VIEW SHOWN AND AUTOMATICALLY ROUNDED BY COMPUTER FOR INSPECTION (SEE MATH MODEL FOR PRECISE DIMENSIONS). FOR ALL OTHER DIMENSIONS NOT SHOWN BUT REQUIRED FOR TOOL BUILD, SEE MATH MODEL FOR PRECISE TOOL PATH DATA.
  - MATING COMPONENTS OR EQUIVALENT:
    - TERMINAL 12015823
  - TERMINAL 13753471 WHEN CRIMPED ONTO 5MM² 105 STRAND CONDUCTOR, CONDUCTOR WINGS MUST BE SOLDERED.
  - 0.4 R PERMISSIBLE ON ALL "SHARP" CORNERS.
  - "PXX" INDICATES "P" PLUS LAST TWO DIGITS OF MAKE SERIES NUMBERS (P01,P02,P03,ETC.)

PART NO	REV/N/P	MAT'L SIZE	MAT'L SPEC	PART NO	REV/N/P	MAT'L SPEC	SIZE (MM²)	ID	DIA	TYPE	WING CONST	E <sub>10.4</sub>
		0.381X42.04		33179130	01	A6 PLATED COPPER ALLOY	3-2	13	3.8-2.45	103	11	4
		0.381X42.04		13790534	02	A6 PLATED COPPER ALLOY	4-5	10	3.4-5.24	104	11	5.4
		0.381X42.04		13753471	01	A6 PLATED COPPER ALLOY	5-3	11	3-4.09	103	1	4.6
		0.381X42.04		13753470	01	A6 PLATED COPPER ALLOY	2-1	15	3.97-2.48	102	1	3.7
		0.381X42.04		15318040	A4	TIN PLATED COPPER ALLOY	2-1	15N	3.97-2.48	102	1	3.7
		0.381X42.04		15318039	A4	TIN PLATED COPPER ALLOY	0.5-0.35	21N	-	101	11	2.4±0.2
		0.381X42.04		15318038	A4	TIN PLATED COPPER ALLOY	TWO 0.35	222N	2-1.35	101	11	3.6±0.2
		0.381X42.04		12129498	B4	TIN PLATED COPPER ALLOY	3-2	13	3.8-2.45	103	11	4
		0.381X42.04		12124085	A4	TIN PLATED COPPER ALLOY	0.8-0.5	19	3.12-2.03	101	1	3.2
12124106	A3	0.381X42.04	COPPER ALLOY	12084586	B4	TIN PLATED COPPER ALLOY	5-3	11	5.24-3.49	103	1	4.6
12066270	A3	0.381X42.04	COPPER ALLOY	12066271	B4	TIN PLATED COPPER ALLOY	0.5-0.35	21	-	101	11	2.4±0.2
12078175	B1	0.381X42.47	COPPER ALLOY	12058825	E1	TIN PLATED COPPER ALLOY	3	12	3.2-3.04	103	1	4.6
12020389	E3	0.381X42.04	COPPER ALLOY	12034047	D4	TIN PLATED COPPER ALLOY	0.8-0.5	19	3.12-2.03	101	1	3.2
		0.381X42.04		12020782	F4	TIN PLATED COPPER ALLOY	TWO 0.35	222	2-1.35	101	11	3.6±0.2
		0.381X42.47		12028781	E1	TIN PLATED COPPER ALLOY	0.35	22	2-1.35	101	11	2.2±0.2
12078176	A1	0.381X42.47	COPPER ALLOY	12028117	C1	TIN PLATED COPPER ALLOY	5-3	11	5.24-3.49	102	1	4.6
12020388	B3	0.381X42.04	COPPER ALLOY	12020116	D4	TIN PLATED COPPER ALLOY	2-1	15	3.97-2.48	102	1	3.7
		0.381X42.47		12028115	C1	TIN PLATED COPPER ALLOY	0.8-0.5	19	3.12-2.03	101	1	3.2

**DELPHI**  
DELPHI PACKARD ELECTRICAL/ELECTRONIC ARCHITECTURE

WARREN, OH  
COPYRIGHT 1997 DELPHI CORPORATION AND/OR ITS AFFILIATES.  
ALL RIGHTS RESERVED.  
REVISED: 05/04

THIS DRAWING IS THE PROPERTY OF DELPHI CORPORATION AND CONTAINS DELPHI CONFIDENTIAL INFORMATION. THE REPRODUCTION, DISTRIBUTION AND UTILIZATION OF THIS DOCUMENT OR ITS CONTENTS TO OTHERS, AS WELL AS COMMUNICATION OF ANY CONTENT TO OTHERS, WITHOUT EXPRESS AUTHORIZATION, IS PROHIBITED.

OR: H. CASTRILLON  
APV02: R. RAMOS S.  
APV03: DOUG CUMMINGS  
APV04:

THIS DOCUMENT IS IN ACCORDANCE WITH ASME Y14.5M-1994 AS MODIFIED BY THE 2003 SUPPLEMENT AND TELEPHONING ADDRESS-2001. SEPARATE PATTERNS OF FEATURES MAY BE OBTAINED SEPARATELY, REGARDLESS OF DATUM REFERENCES.

ALL DIMENSIONS ARE IN MILLIMETERS

UNLESS OTHERWISE SPECIFIED

THIS DOCUMENT IS IN ACCORDANCE WITH ASME Y14.5M-1994 AS MODIFIED BY THE 2003 SUPPLEMENT AND TELEPHONING ADDRESS-2001. SEPARATE PATTERNS OF FEATURES MAY BE OBTAINED SEPARATELY, REGARDLESS OF DATUM REFERENCES.

ALL DIMENSIONS ARE IN MILLIMETERS

REFERENCE:

4 PROCESS SENSITIVE DIMENSION

DIMENSIONS ENCLOSED IN ( ) INDICATE REFERENCE DIMENSIONS AND NO TOLERANCE LIMITS ARE ESTABLISHED

DIMENSIONAL RANGE (MM) CHART CD FROM 0 TO 15 > 12

TOLERANCE UNLESS OTHERWISE SPECIFIED: 10.1 ±0.2

ANGULAR TOLERANCE ±2°

THIRD ANGLE PROJECTION

DO NOT SCALE USE MATH DATA

DRAWING NAME: TAXI TERM M W/P 280

DRAWING NUMBER: 12020114

SIZE: A0 SCALE: 10:1 FRAME NO: 1 OF 1 SHEET NO: 1 OF 1 REV: N/P

## X-ON Electronics

Largest Supplier of Electrical and Electronic Components

*Click to view similar products for [Automotive Connectors](#) category:*

*Click to view products by [APTIV](#) manufacturer:*

Other Similar products are found below :

[003-018-000](#) [60403001](#) [60993906-B](#) [629515004020001](#) [M902-2131](#) [M902-2161](#) [72.330.1035.1](#) [73.353.4028.0](#) [F119300-B](#) [F166900](#)  
[F258300-B](#) [F358300-B](#) [F407400](#) [F444110](#) [F487000](#) [F509500B-B](#) [827153-1](#) [8N1515-32-24P](#) [9-1326729-8](#) [925474-1](#) [928905-1](#) [964562-4](#)  
[968782-1](#) [GT17SA-8DS-HU](#) [98891-1012](#) [98947-1016](#) [12004475-L](#) [12010290](#) [12010309-B](#) [12015454](#) [12020219-B](#) [12020308](#) [12041318-B](#)  
[12052225-L](#) [12052466](#) [12059125](#) [12064869](#) [12004327-B](#) [12010503-B](#) [12015308](#) [12015384](#) [12015909](#) [1-21030-1](#) [12041254](#) [12041318](#)  
[12047946-B](#) [12047957](#) [12047957-L](#) [12059473](#) [12066261](#)