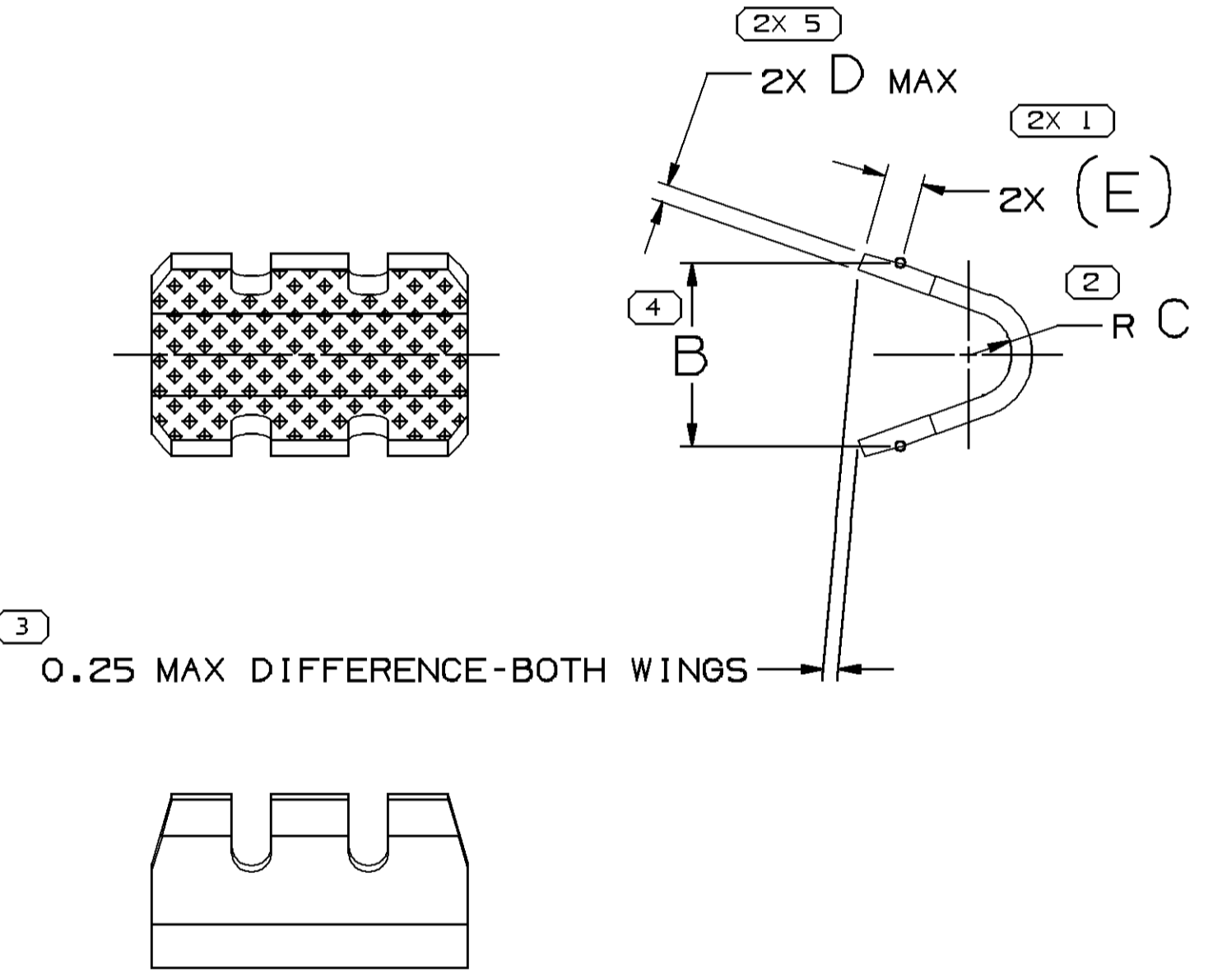
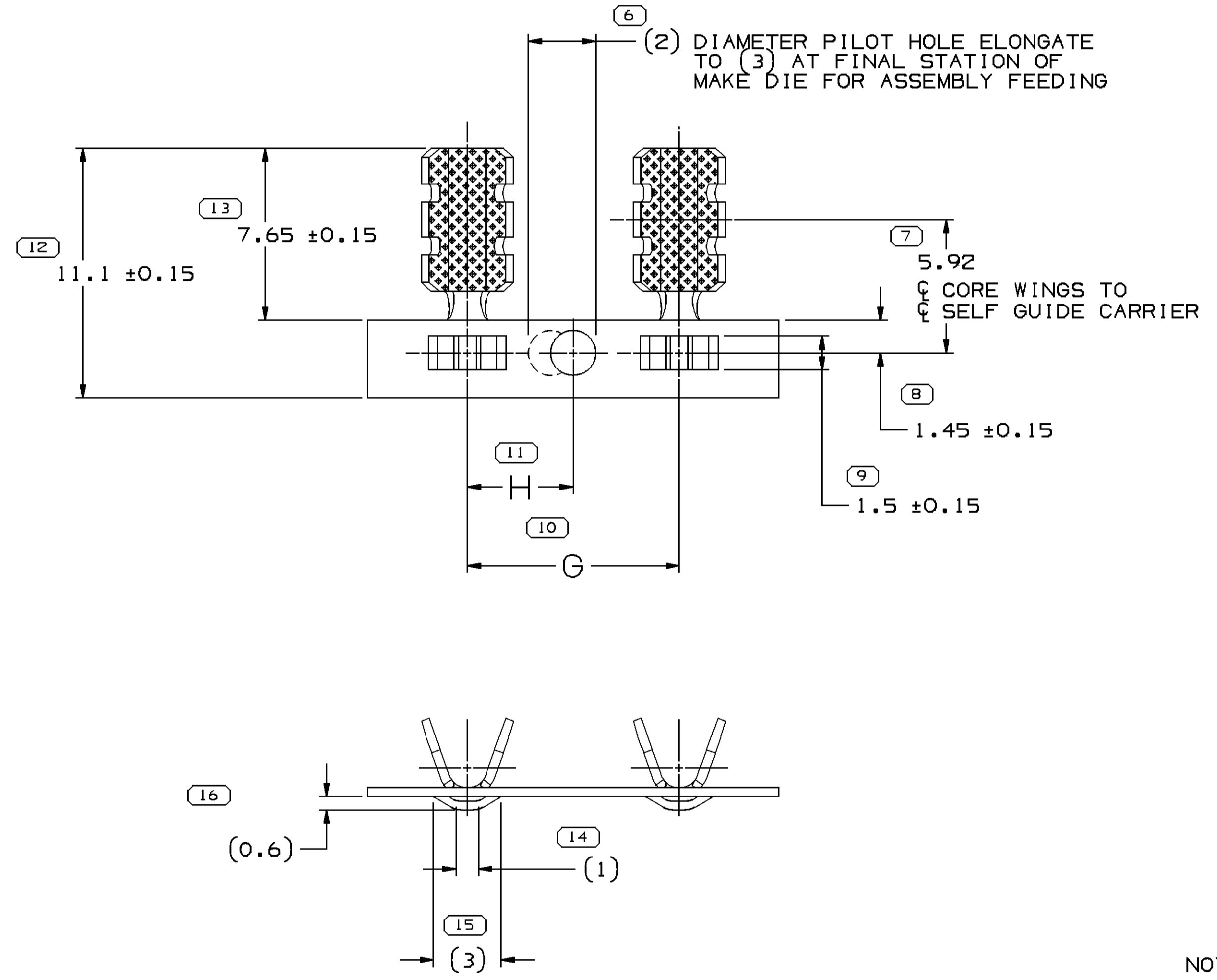
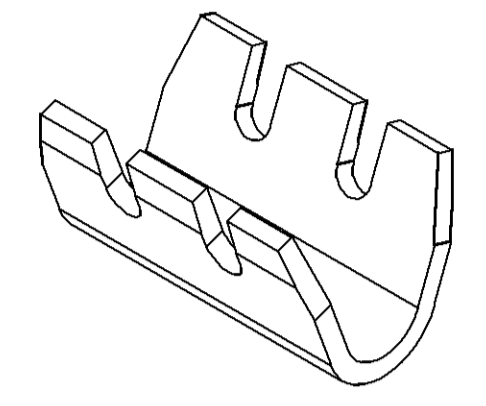


SYMBOL DEFINITION		MISSING SYMBOLS	
A DIMENSION WITHOUT AN INSPECTION REPORT SYMBOL ( ) DOES NOT REQUIRE INSPECTION. IT MAY BE CONTROLLED ON THE INDIVIDUAL COMPONENT DRAWING.	TOTAL NO OF INSPECTIONS REQUIRED	NO MISSING SYMBOL NUMBER	18
	LAST NO. USED		16

DWG STATUS				REVISION HISTORY			AUTH	DR	APVD1	APVD2
DATE	STG	REV	N/P	CHG	ZONE					
26FE07	R	13	-	-		ALL ACTIVE PARTS - CREATED PART DRAWING	400697	AC	FR	PYP
12JN07	R	14	-	-		ALL PARTS - REDRAWN TO PD; 13652872 - RELEASED	401665	ECB	AUG	GGI
29AP08	R	15	-	-		ALL ACTIVE PARTS - ADDED CARRIER STRIP OPTIONAL CONSTRUCTION TYPE 102	404514	LHT	GEM	LHT
05AU08	R	16	-	-		ALL ACTIVE PARTS - REMOVED CARRIER STRIP OPTIONAL CONSTRUCTION TYPE 102	405648	LHT	VMR	LHT
28OC08	R	17	-	-		12064906 - OBSOLETE AND REPLACED BY 13652872	406605	MDH	FKV	JAW
09FE09	R	18	-	-		ALL ACTIVE PARTS - UPDATED MAT'L CALLOUT; 12064904-05 - OBSOLETE	407307	JTV	AUG	RAP
20AP09	R	19	-	-		12064904 - REINSTATED	407792	RRR	JAA	RRR
19JN09	R	20	-	-		12064904 - OBSOLETE	408238	RRR	JVM	RRR
24JA12	R	21	-	-		ALL ACTIVE PARTS - ADDED "CABLE SIZE (MM²)" COLUMN ON CHART	416803	JGM	JAA	RSB



CARRIER STRIP VIEW-TYPE 101  
CARRIER STRIP OPTIONAL CONSTRUCTION  
SCALE 6:1

NOTES

1. UNLESS OTHERWISE SPECIFIED AND/OR INDICATED:  
DIMENSIONS ARE TO FACE OF VIEW SHOWN AND AUTOMATICALLY ROUNDED BY COMPUTER FOR INSPECTION (SEE MATH MODEL FOR PRECISE DIMENSIONS). FOR ALL OTHER DIMENSIONS NOT SHOWN BUT REQUIRED FOR TOOL BUILD, SEE MATH MODEL FOR PRECISE TOOL PATH DATA.

DWG TYPE PART DRAWING	
STYLE	
VOLUME (CPI)	DISTR CODE D
UNLESS OTHERWISE SPECIFIED THIS DOCUMENT IS IN ACCORDANCE WITH ASME Y14.5M-1994 AS AMENDED BY THE 0M GLOBAL DIMENSIONING AND TOLERANCING ADDENDUM-2001. SEPARATE PATTERNS OF FEATURES MAY BE GAGED SEPARATELY REGARDLESS OF DATUM REFERENCES.	
ALL DIMENSIONS ARE IN MILLIMETERS	
REFERENCE	
DIMENSIONAL RANGE (MM)	CHART 'D'
FROM 0 TO 12	> 12
TOLERANCE UNLESS OTHERWISE SPECIFIED	
±0.1	±0.2
ANGULAR TOLERANCE	±2°
THIRD ANGLE PROJECTION	DO NOT SCALE
	USE MATH DATA
	NX

<b>DELPHI</b>	
DELPHI PACKARD ELECTRICAL/ELECTRONIC ARCHITECTURE WARREN, OH	
DR	DATE
APVD1 A. CARBONEY	26FE07
APVD2 FCO. RESENDIZ	02MR07
APVD3 P. YABUR	09MR07
APVD4	
APVD5	
SUBSTANCES OF CONCERN AND RECYCLED CONTENT PER DELPHI 10949001	
MATERIAL SEE CHART	
DRAWING NAME TAXI TERM SPLICE	
DRAWING NUMBER 12064907	
SIZE A1	SCALE 8:1
FRAME NO 1 OF 1	SHEET NO 1 OF 1
STG R	REV 21
N/P	

PART NO	REV	N/P	STATUS	MAT'L SIZE	MAT'L SPEC	PART NO	REV	N/P	STATUS	MAT'L SPEC	SIZE (MM²)	B ±0.25	C ±0.15	D MAX	(E)	G ±0.15	H ±0.15
-	-	-	-	0.406 X 11.13	COPPER ALLOY	12124369	A5	-	-	TIN PLATED COPPER ALLOY	0.35 - 0.8	2.4	0.5	0.35	0.76	9.42	4.71
-	-	-	-	0.406 X 11.13	COPPER ALLOY	12124033	A	-	OBSOLETE	TIN PLATED COPPER ALLOY	-	2.4	0.5	0.35	0.76	16.51	8.26
12064906	B4	-	OBSOLETE	0.406 X 11.13	COPPER ALLOY	13652872	01	AD	-	TIN PLATED COPPER ALLOY	4 - 6	5.84	1.98	0.35	0.76	16.51	8.26
12064905	B4	-	OBSOLETE	0.406 X 11.13	COPPER ALLOY	12084689	A5	-	-	TIN PLATED COPPER ALLOY	3 - 5	4.57	1.39	0.35	0.76	16.51	8.26
12064904	C6	-	OBSOLETE	0.406 X 11.13	COPPER ALLOY	12084688	B5	-	-	TIN PLATED COPPER ALLOY	0.8 - 2	3.68	0.88	0.35	0.76	9.42	4.71

## X-ON Electronics

Largest Supplier of Electrical and Electronic Components

*Click to view similar products for [Automotive Connectors](#) category:*

*Click to view products by [APTIV](#) manufacturer:*

Other Similar products are found below :

[003-018-000](#) [60403001](#) [60993906-B](#) [629515004020001](#) [M902-2131](#) [M902-2161](#) [72.330.1035.1](#) [73.353.4028.0](#) [F119300-B](#) [F166900](#)  
[F258300-B](#) [F358300-B](#) [F407400](#) [F444110](#) [F487000](#) [F509500B-B](#) [827153-1](#) [8N1515-32-24P](#) [9-1326729-8](#) [925474-1](#) [928905-1](#) [964562-4](#)  
[968782-1](#) [GT17SA-8DS-HU](#) [98891-1012](#) [98947-1016](#) [12004475-L](#) [12010290](#) [12010309-B](#) [12015454](#) [12020219-B](#) [12020308](#) [12041318-B](#)  
[12052225-L](#) [12052466](#) [12059125](#) [12064869](#) [12004327-B](#) [12010503-B](#) [12015308](#) [12015384](#) [12015909](#) [1-21030-1](#) [12041254](#) [12041318](#)  
[12047946-B](#) [12047957](#) [12047957-L](#) [12059473](#) [12066261](#)