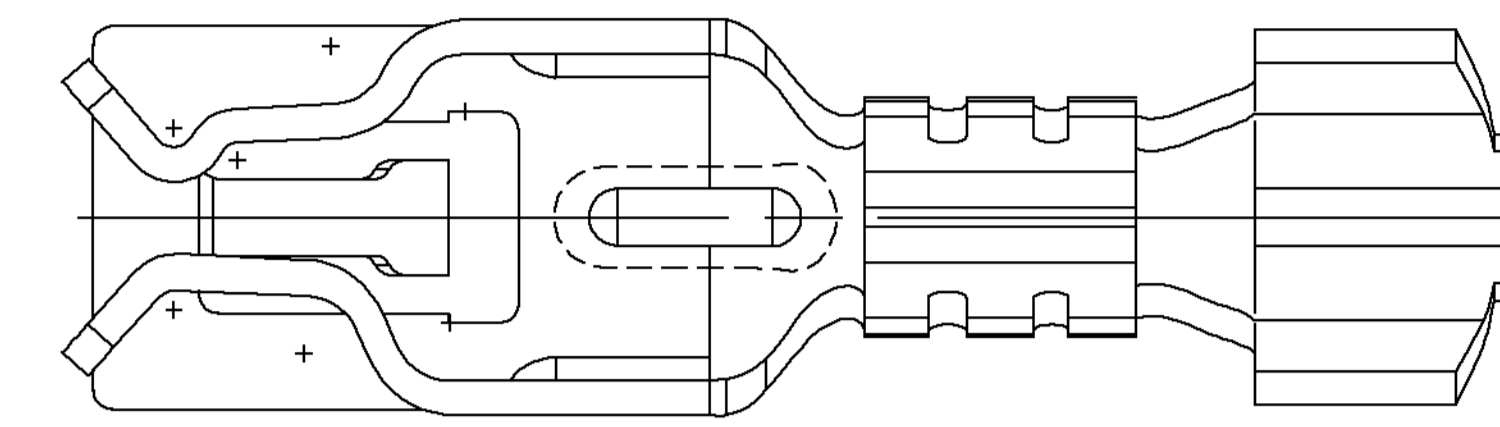
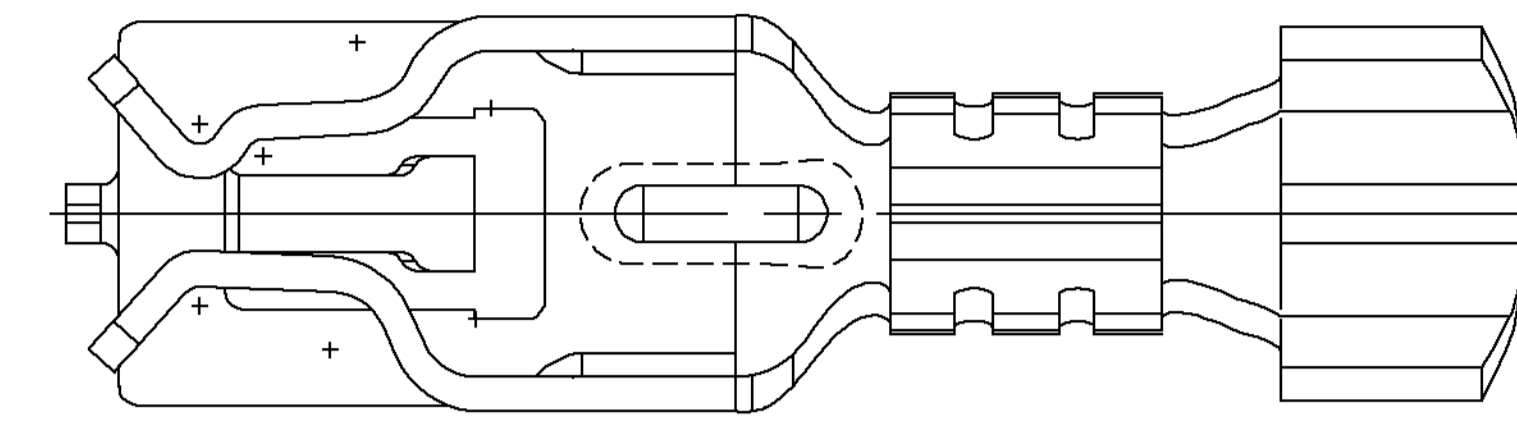


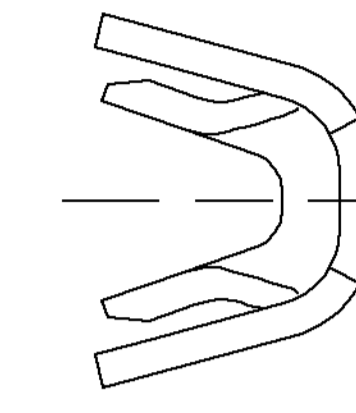
DELPHI PACKARD ELECTRIC SYSTEMS
WARREN, OHIO 44486



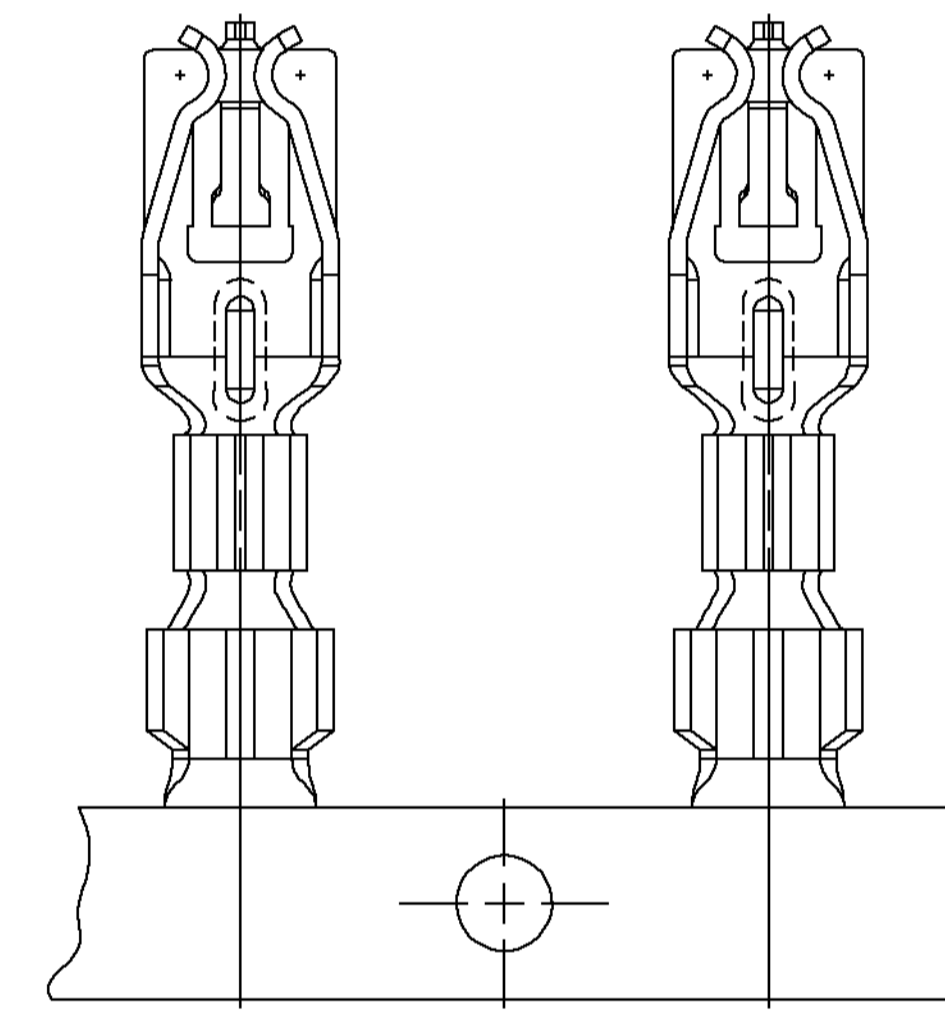
OPTIONAL CONSTRUCTION



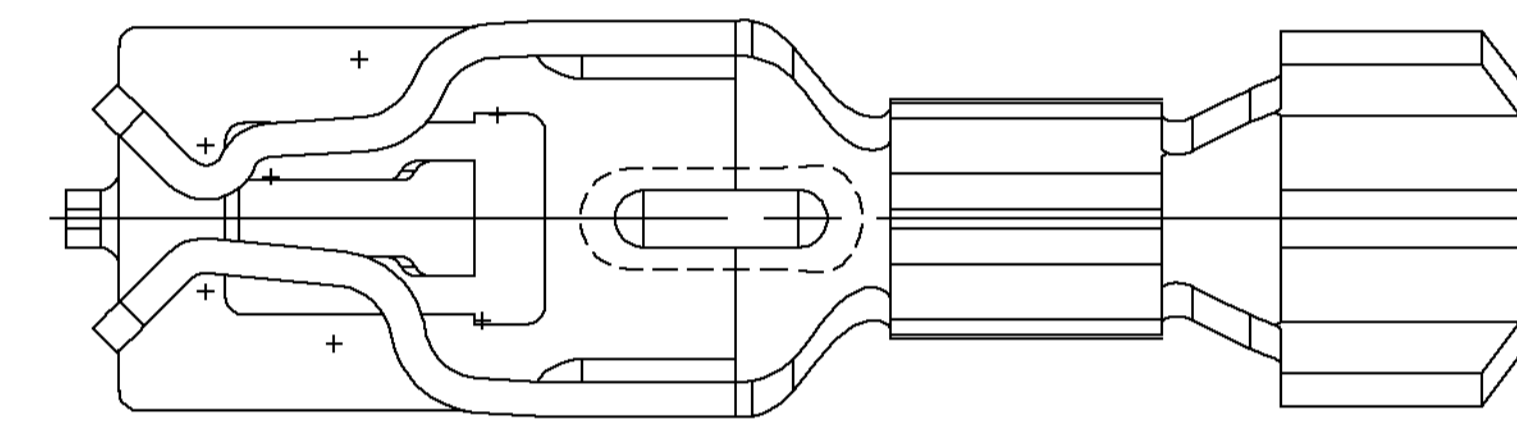
FORM TYPE 103



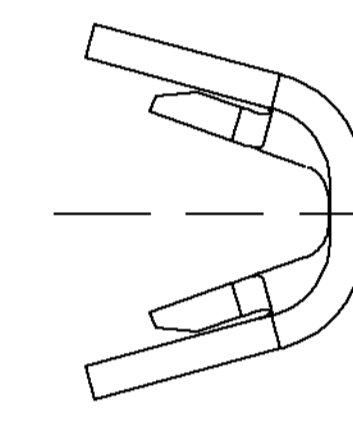
WING COSTRUCTION 11



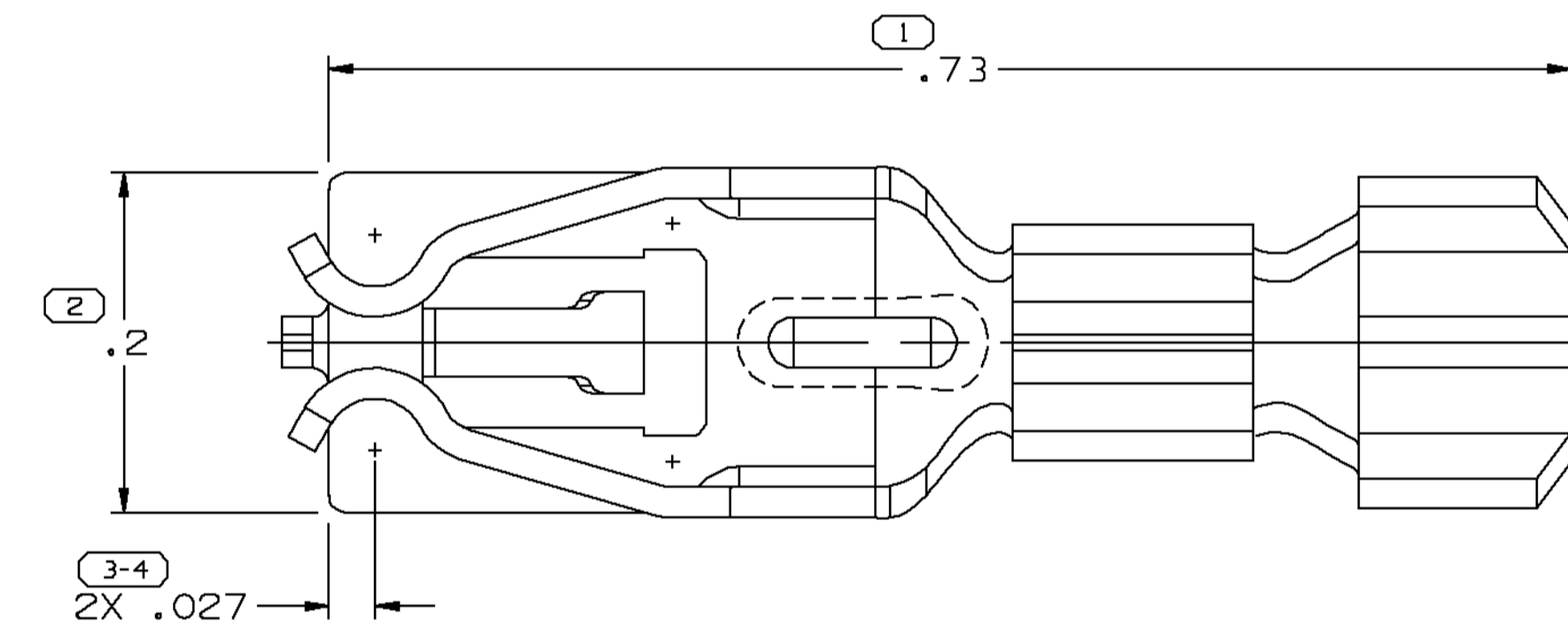
CARRIER STRIP VIEW
SCALE 5:1



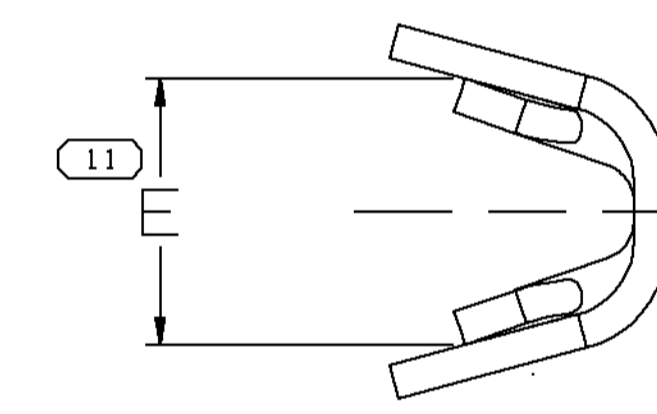
FORM TYPE 102



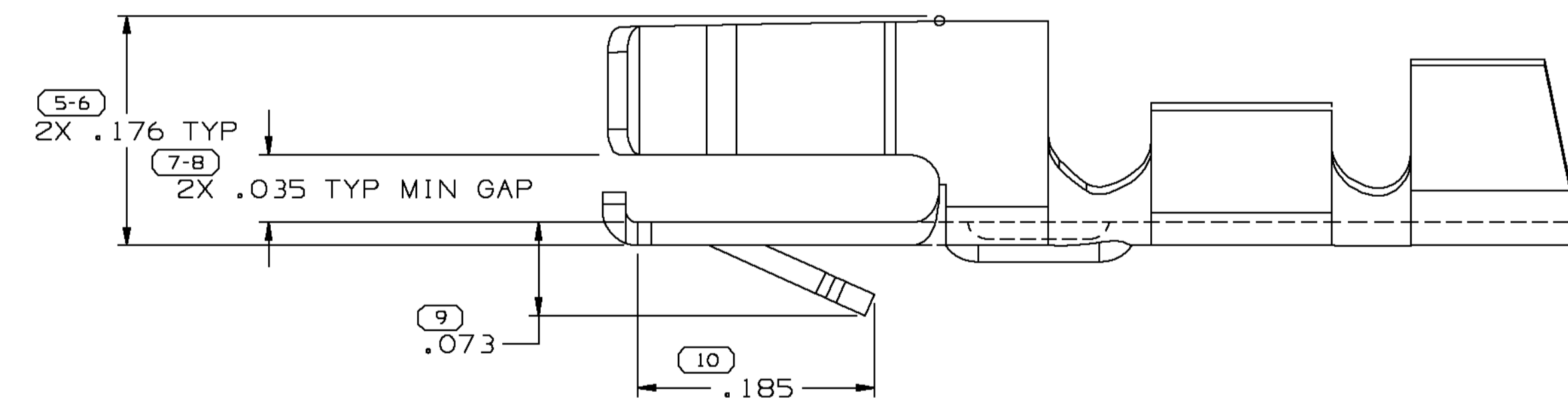
WING COSTRUCTION IIII



FORM TYPE 101



WING COSTRUCTION I



NOTES

- UNLESS OTHERWISE SPECIFIED AND/OR INDICATED: DIMENSIONS ARE TO FACE OF VIEW SHOWN AND AUTOMATICALLY ROUNDED BY COMPUTER FOR INSPECTION. (SEE MATH MODEL FOR PRECISE DIMENSIONS.) FOR ALL OTHER DIMENSIONS NOT SHOWN BUT REQUIRED FOR TOOL BUILD, SEE MATH MODEL FOR PRECISE TOOL PATH DATA.
- THIS PART ACCEPTS THE FOLLOWING COMPONENTS OR EQUIVALENT BULB 09421330

PART NO	STG	REV	N/P	STATUS	MAT'L	SIZE	MAT'L SPEC	PART NO	STG	REV	N/P	STATUS	MAT'L SPEC	SIZE (MM ²)	DIA	ID	TYPE	WING CONSTR	
15324265	R	A1			.018 X 1.062	S-1525053		15324266	R	A1			K-1525053	0.8-0.5	3.13 MAX	19	103	IIII	.128
12089661	R	B1			.018 X 1.062	S-1525053		12089139	R	E1			K-1525053	0.8-0.5	3.13 MAX	19	103	II	.128
12089136	R	B1			.018 X 1.062	S-1525053								0.35	2-1.35	22	103	II	.09
12089135	R	B1			.018 X 1.062	S-1525053		12089137	R	D1			K-1525053	3	3.65-3.49	-	103	I	.195
12089134	R	S1			.018 X 1.062	S-1525053								TWO 0.8-0.5	2.4-2.03	-	103	I	.2
12089133	R	R		OBSOLETE	.018 X 1.062	S-1525053		12089138	R	D		OBSOLETE	K-1525053	0.8-0.5	2.4-2.03	-	103	I	.135
12084473	R	A		OBSOLETE	.018 X 1.062	S-1525053								TWO 0.8-0.5	3.12-2.03	219	102	II	.2
12084472	R	B		OBSOLETE	.018 X 1.062	S-1525053								0.35	2-1.35	22	101	II	.09
12084471	R	B		OBSOLETE	.018 X 1.062	S-1525053								3	3.65-3.49	-	101	I	.195
12084469	R	B		OBSOLETE	.018 X 1.062	S-1525053								TWO 0.8-0.5	2.4-2.03	-	101	I	.2
12077612	R	B		OBSOLETE	.018 X 1.062	S-1525053		12077561	R	B		OBSOLETE	K-1525053	0.8-0.5	3.13 MAX	19	102	II	.125
12041285	R	C		OBSOLETE	.018 X 1.062	S-1525053								0.8-0.5	2.4-2.03	-	101	I	.135
12020225	R	E		OBSOLETE	.018 X 1.062	S-1525053								TWO 0.8-0.5	3.12-2.03	219	101	II	.2
08917207	R	E		OBSOLETE	.018 X 1.062	S-1525053		12066089	R	B		OBSOLETE	K-1525053	3	2-1.35	22	102	II	.09
06294127	R	P		OBSOLETE	.018 X 1.062	S-1525053								TWO 0.8-0.5	2.4-2.03	-	102	I	.2
06294126	R	N		OBSOLETE	.018 X 1.062	S-1525053		12066090	R	B		OBSOLETE	K-1525053	0.8-0.5	2.4-2.03	-	102	I	.135

DIMENSIONS IN () INDICATE PROCESS SENSITIVE DIMENSIONS. DIMENSIONS NOT IN () INDICATE REFERENCE DIMENSIONS. NO TOLERANCE LIMITS ARE ESTABLISHED.

SYMBOL DEFINITION				MISSING NUMBERS			
THE NUMBER INSIDE THE SYMBOL CORRESPONDS TO THE NUMBER ON THE INSPECTION REPORT FOR THIS DRAWING/PART NUMBER	TOTAL NO. OF SYMBOLS ON DRAWING	LAST NO. USED	8				
			11				

DWG STATUS				REVISION HISTORY				AUTH		
DATE	STG	REV	CHG/N/P	ZONE	ALL ACTIVE PARTS - REDRAEN TO PD:	12089661 - UPDATED REV LEVEL	196864	EAR	GMC	JA

DELPHI
Automotive Systems

MATERIAL SPEC: SEE CHART
DIMENSIONAL RANGE (IN): FROM 0 TO >.500
TOLERANCE UNLESS OTHERWISE SPECIFIED: .005, .010
ANGULAR TOLERANCE: 2

PART DRAWING
CODE NUMBER: 6900
DWG DATE: 13FE67
SCALE: 10:1
OC SPEC: STYLE
VOLUME cm³

PART GEOMETRY: 3D SOLID
UNLESS OTHERWISE SPECIFIED:
PERFECT FORM REQUIRED FOR FEATURES OF SIZE AT MMC. TRUE POSITION TOLERANCES AND RELATED DATUMS APPLY AT CONDITION OF SIZE INDICATED IN FEATURE CONTROL FRAME. ALL OTHER GEOMETRIC TOLERANCES AND RELATED DATUMS APPLY RFS. SEPARATE TRUE POSITION CALLOUTS MAY BE GAGED SEPARATELY, REGARDLESS OF DATUM REFERENCE.

CHANGE RESTRICTED
NO MANUAL CHANGES

COPY OF MATH DATA DO NOT SCALE
REFERENCE: 001,701
DR: APVD1 ANDT LE, APVD2 D. STEELE, APVD3 E. MARAS, APVD4, APVD5
DATE: 30SE87, 26OC87, 10NO87

ENGLISH UNLESS OTHERWISE SPECIFIED, ALL DIMENSIONS ARE IN MILLIMETERS

THIRD ANGLE PROJECTION
DRAWING NAME: TAXI TERM LP SOC WGE BSA

SHEET NUMBER: 1 of 3
DRAWING NUMBER: 06294128
DWG STATUS: R 001
SIZE: A0

X-ON Electronics

Largest Supplier of Electrical and Electronic Components

Click to view similar products for [Automotive Connectors](#) category:

Click to view products by [APTIV](#) manufacturer:

Other Similar products are found below :

[003-018-000](#) [60403001](#) [60993906-B](#) [629515004020001](#) [M902-2131](#) [M902-2161](#) [72.330.1035.1](#) [73.353.4028.0](#) [F119300-B](#) [F166900](#)
[F258300-B](#) [F358300-B](#) [F407400](#) [F444110](#) [F487000](#) [F509500B-B](#) [827153-1](#) [8N1515-32-24P](#) [9-1326729-8](#) [925474-1](#) [928905-1](#) [964562-4](#)
[968782-1](#) [GT17SA-8DS-HU](#) [98891-1012](#) [98947-1016](#) [12004475-L](#) [12010290](#) [12010309-B](#) [12015454](#) [12020219-B](#) [12020308](#) [12041318-B](#)
[12052225-L](#) [12052466](#) [12059125](#) [12064869](#) [12004327-B](#) [12010503-B](#) [12015308](#) [12015384](#) [12015909](#) [1-21030-1](#) [12041254](#) [12041318](#)
[12047946-B](#) [12047957](#) [12047957-L](#) [12059473](#) [12066261](#)