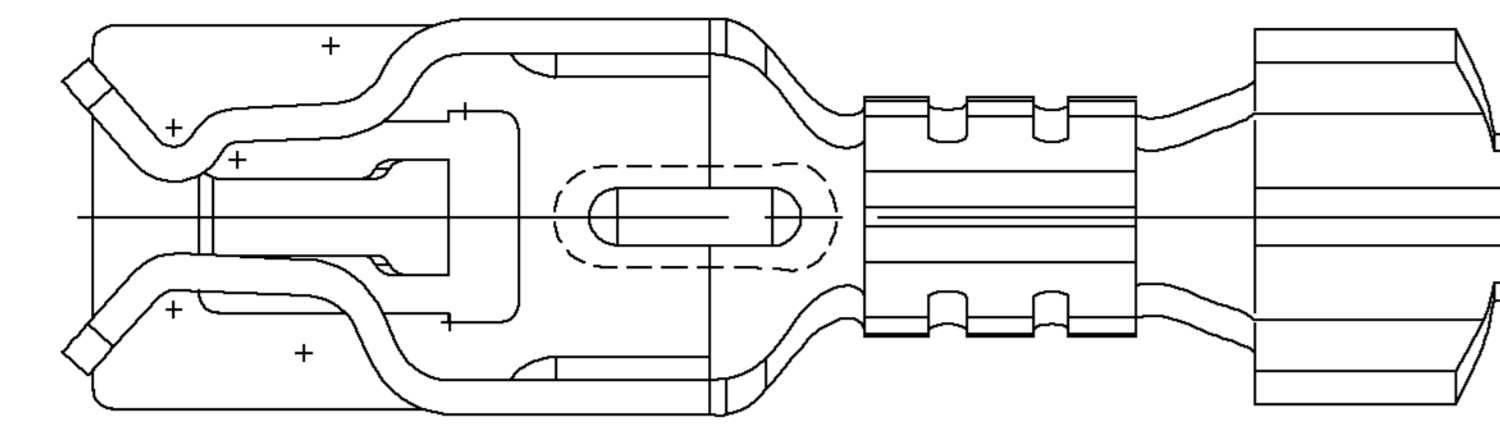
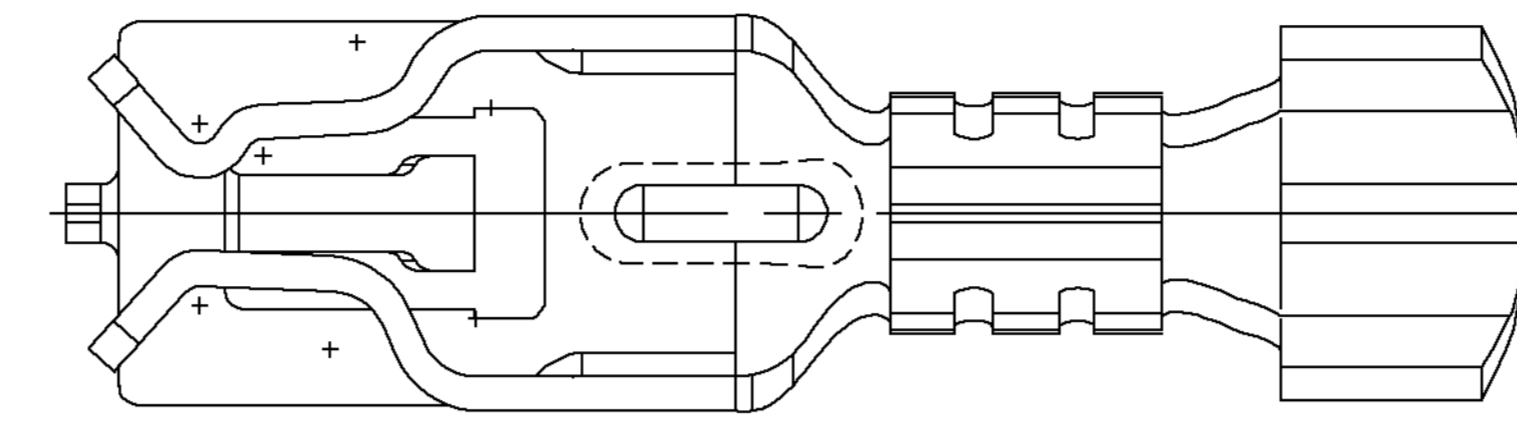


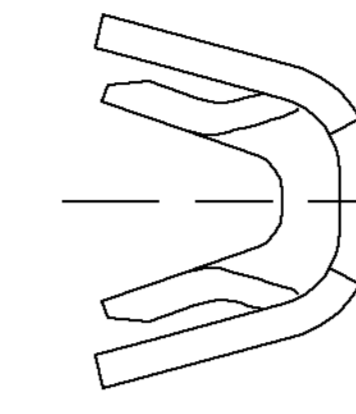
DELPHI PACKARD ELECTRIC SYSTEMS  
WARREN, OHIO 44486



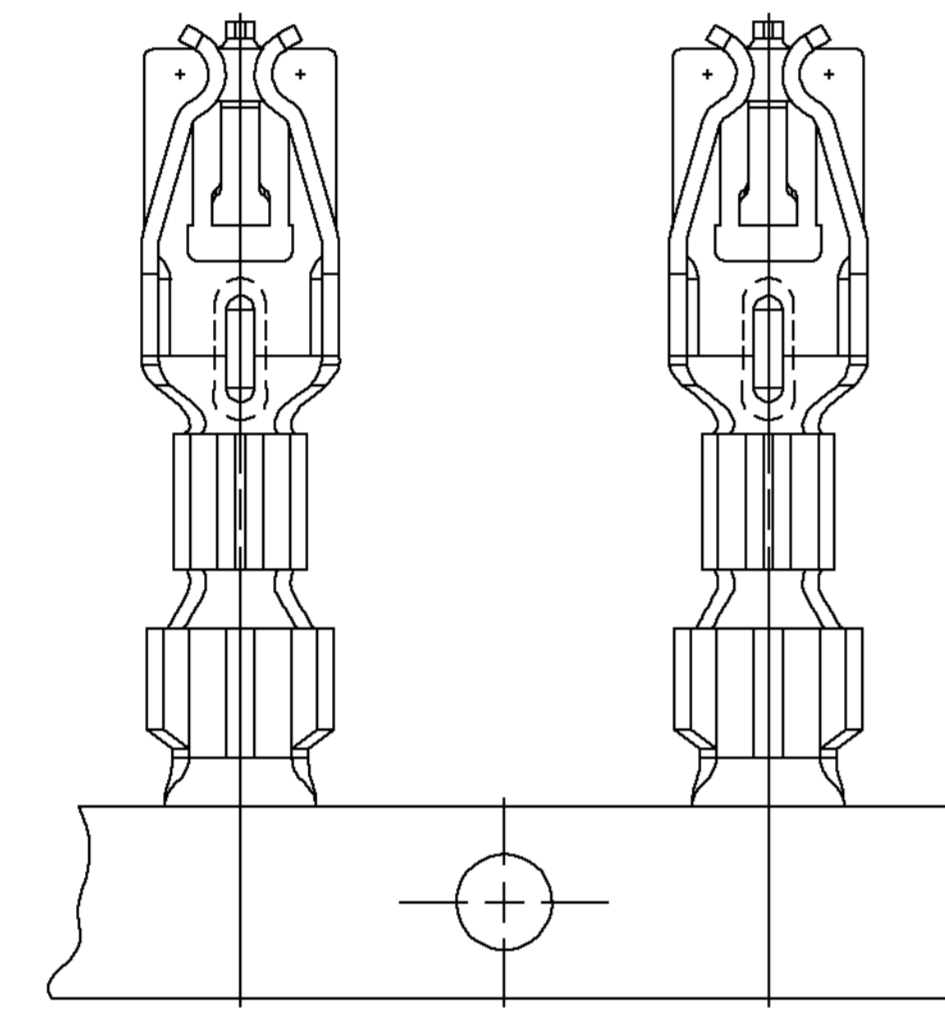
OPTIONAL CONSTRUCTION



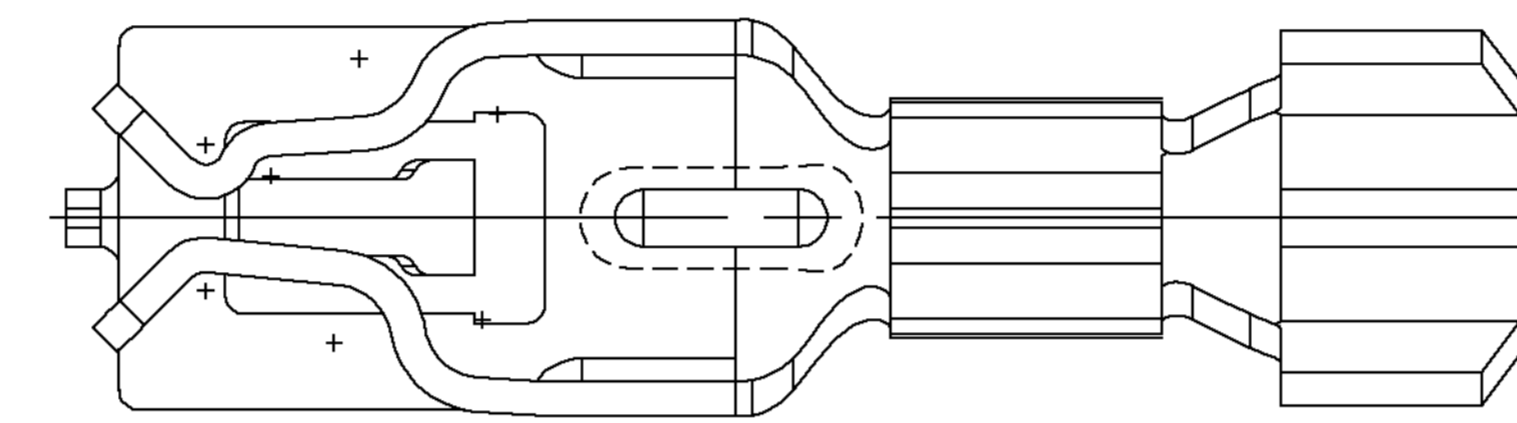
FORM TYPE 103



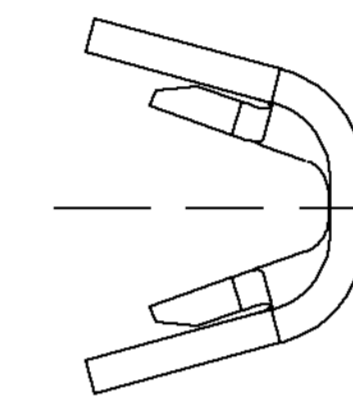
WING COSTRUCTION 11



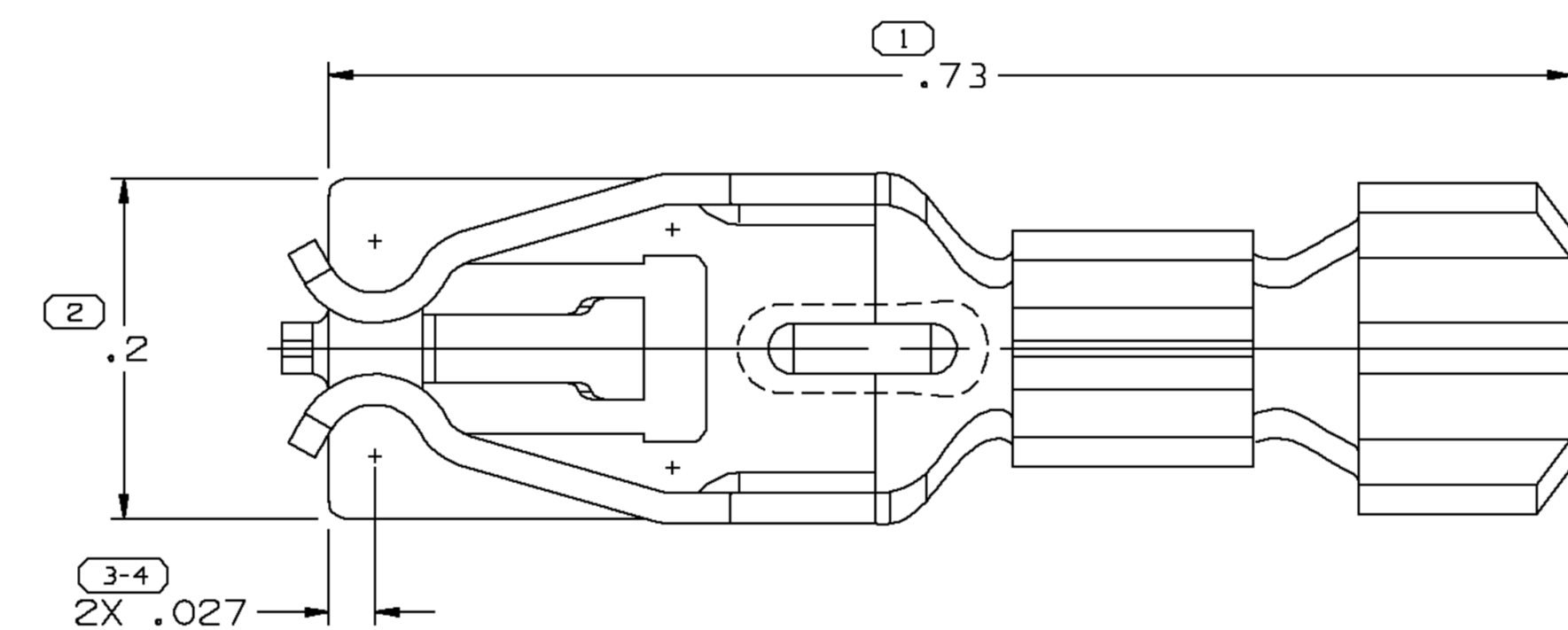
CARRIER STRIP VIEW  
SCALE 5:1



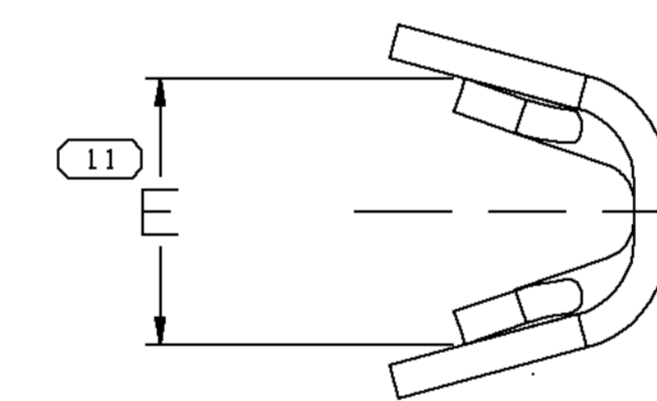
FORM TYPE 102



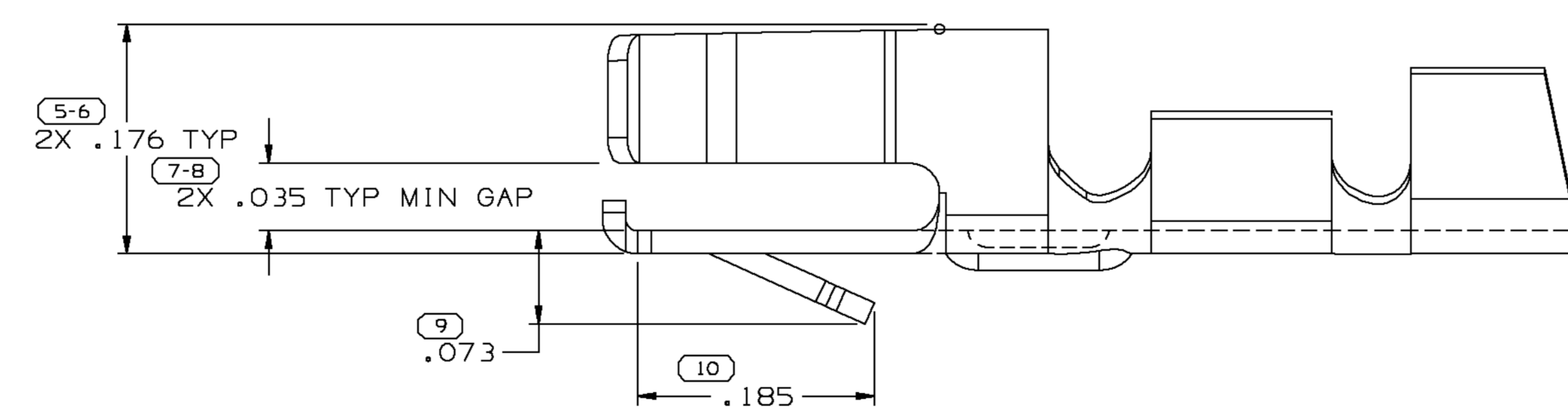
WING COSTRUCTION 111



FORM TYPE 101



WING COSTRUCTION 1



NOTES

- UNLESS OTHERWISE SPECIFIED AND/OR INDICATED: DIMENSIONS ARE TO FACE OF VIEW SHOWN AND AUTOMATICALLY ROUNDED BY COMPUTER FOR INSPECTION. (SEE MATH MODEL FOR PRECISE DIMENSIONS.) FOR ALL OTHER DIMENSIONS NOT SHOWN BUT REQUIRED FOR TOOL BUILD, SEE MATH MODEL FOR PRECISE TOOL PATH DATA.
- THIS PART ACCEPTS THE FOLLOWING COMPONENTS OR EQUIVALENT BULB 09421330

PART NO	STG	REV	N/P	STATUS	MAT'L	SIZE	MAT'L SPEC	PART NO	STG	REV	N/P	STATUS	MAT'L SPEC	SIZE (MM <sup>2</sup> )	DIA	ID	TYPE	WING CONSTRUCTION	
15324265	R	A1			.018 X 1.062	S-1525053		15324266	R	A1			K-1525053	0.8-0.5	3.13 MAX	19	103	111	1.28
12089661	R	B1			.018 X 1.062	S-1525053		12089139	R	E1			K-1525053	0.8-0.5	3.13 MAX	19	103	111	1.28
12089136	R	B1			.018 X 1.062	S-1525053								0.35	2-1.35	22	103	111	1.09
12089135	R	B1			.018 X 1.062	S-1525053		12089137	R	D1			K-1525053	3	3.65-3.49	-	103	111	1.195
12089134	R	S1			.018 X 1.062	S-1525053								TWO 0.8-0.5	2.4-2.03	-	103	111	.2
12089133	R	R		OBSOLETE	.018 X 1.062	S-1525053		12089138	R	D		OBSOLETE	K-1525053	0.8-0.5	2.4-2.03	-	103	111	1.135
12084473	R	A		OBSOLETE	.018 X 1.062	S-1525053								TWO 0.8-0.5	3.12-2.03	219	102	111	.2
12084472	R	B		OBSOLETE	.018 X 1.062	S-1525053								0.35	2-1.35	22	101	111	.09
12084471	R	B		OBSOLETE	.018 X 1.062	S-1525053								3	3.65-3.49	-	101	111	1.195
12084469	R	B		OBSOLETE	.018 X 1.062	S-1525053								TWO 0.8-0.5	2.4-2.03	-	101	111	.2
12077612	R	B		OBSOLETE	.018 X 1.062	S-1525053		12077561	R	B		OBSOLETE	K-1525053	0.8-0.5	3.13 MAX	19	102	111	1.25
12041285	R	C		OBSOLETE	.018 X 1.062	S-1525053								0.8-0.5	2.4-2.03	-	101	111	1.135
12020225	R	E		OBSOLETE	.018 X 1.062	S-1525053								TWO 0.8-0.5	3.12-2.03	219	101	111	.2
08917207	R	E		OBSOLETE	.018 X 1.062	S-1525053		12066089	R	B		OBSOLETE	K-1525053	3	2-1.35	22	102	111	.09
06294127	R	P		OBSOLETE	.018 X 1.062	S-1525053								TWO 0.8-0.5	3.65-3.49	-	102	111	1.195
06294126	R	N		OBSOLETE	.018 X 1.062	S-1525053		12066090	R	B		OBSOLETE	K-1525053	0.8-0.5	2.4-2.03	-	102	111	.2

DIMENSIONS IN PARENTHESIS INDICATE PROCESS SENSITIVE DIMENSIONS. DIMENSIONS IN SQUARE PARENTHESIS INDICATE DIMENSIONS THAT NO TOLERANCE LIMITS ARE ESTABLISHED.

SYMBOL DEFINITION				MISSING NUMBERS			
THE NUMBER INSIDE THE SYMBOL CORRESPONDS TO THE NUMBER ON THE INSPECTION REPORT FOR THIS DRAWING/PART NUMBER	TOTAL NO. OF SYMBOLS ON DRAWING	8					
	LAST NO. USED	11					

DWG STATUS				REVISION HISTORY				AUTH			
DATE	STG	REV	CHG/N/P	ZONE				196864	EAR	GMC	JA
060E99	R	001	-	-				ALL ACTIVE PARTS - REDRAEN TO PD: 12089661 - UPDATED REV LEVEL			

**DELPHI**  
Automotive Systems

MATERIAL SPEC: SEE CHART

DIMENSIONAL RANGE (IN):  
FROM TO TOLERANCE UNLESS OTHERWISE SPECIFIED  
0 .500 > .500  
+ .005 - .010  
ANGULAR TOLERANCE: ± 2'

PART DRAWING

CODE NUMBER: 6900  
DWG DATE: 13FE67  
SCALE: 10:1  
VOLUME cm<sup>3</sup>:  
DISTR CODE: D

PART GEOMETRY: 3D SOLID  
UNLESS OTHERWISE SPECIFIED:  
PERFECT FORM REQUIRED FOR FEATURES OF SIZE AT MMC. TRUE POSITION TOLERANCES AND RELATED DATUMS APPLY AT CONDITION OF SIZE INDICATED IN FEATURE CONTROL FRAME. ALL OTHER GEOMETRIC TOLERANCES AND RELATED DATUMS APPLY RFS. SEPARATE TRUE POSITION CALLOUTS MAY BE GAGED SEPARATELY, REGARDLESS OF DATUM REFERENCE.

CHANGE RESTRICTED  
NO MANUAL CHANGES

COPY OF MATH DATA DO NOT SCALE

REFERENCE: 001,701

DR: APVD1 ANDT LE 30SEB7  
APVD2 D. STEELE 260CB7  
APVD3 E. MARAS 10N0B7  
APVD4  
APVD5

ENGLISH UNLESS OTHERWISE SPECIFIED, ALL DIMENSIONS ARE IN MILLIMETERS

THIRD ANGLE PROJECTION

DRAWING NUMBER: TAXI TERM LP SOC WGE BSA

SHEET NUMBER: 1 of 3  
DRAWING NUMBER: 06294128  
DWG STATUS: R 001 - N/P  
SIZE: A0

## X-ON Electronics

Largest Supplier of Electrical and Electronic Components

*Click to view similar products for [Automotive Connectors](#) category:*

*Click to view products by [APTIV](#) manufacturer:*

Other Similar products are found below :

[003-018-000](#) [60403001](#) [60993906-B](#) [629515004020001](#) [M902-2131](#) [M902-2161](#) [72.330.1035.1](#) [73.353.4028.0](#) [F119300-B](#) [F166900](#)  
[F258300-B](#) [F358300-B](#) [F407400](#) [F444110](#) [F487000](#) [F509500B-B](#) [827153-1](#) [8N1515-32-24P](#) [9-1326729-8](#) [925474-1](#) [928905-1](#) [964562-4](#)  
[968782-1](#) [GT17SA-8DS-HU](#) [98891-1012](#) [98947-1016](#) [12004475-L](#) [12010290](#) [12010309-B](#) [12015454](#) [12020219-B](#) [12020308](#) [12041318-B](#)  
[12052225-L](#) [12052466](#) [12059125](#) [12064869](#) [12004327-B](#) [12010503-B](#) [12015308](#) [12015384](#) [12015909](#) [1-21030-1](#) [12041254](#) [12041318](#)  
[12047946-B](#) [12047957](#) [12047957-L](#) [12059473](#) [12066261](#)