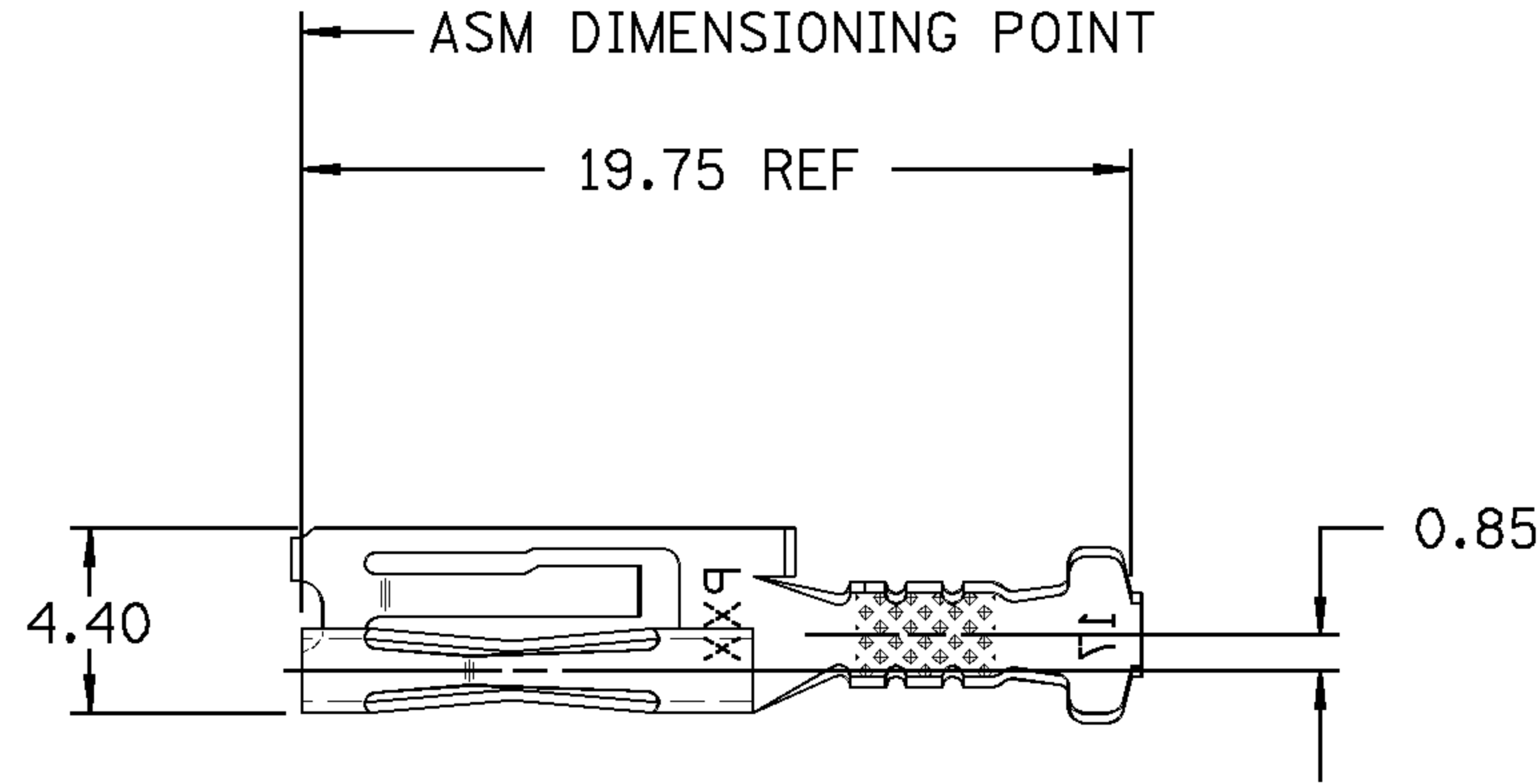


D

THIS DRAWING AND DESIGN HEREON CONSTITUTES A PROPRIETARY DESIGN OF PACKARD ELECTRIC DIVISION AND IS NOT TO BE DUPLICATED OR REPRODUCED WITHOUT AUTHORITY OF PACKARD ELECTRIC DIVISION.

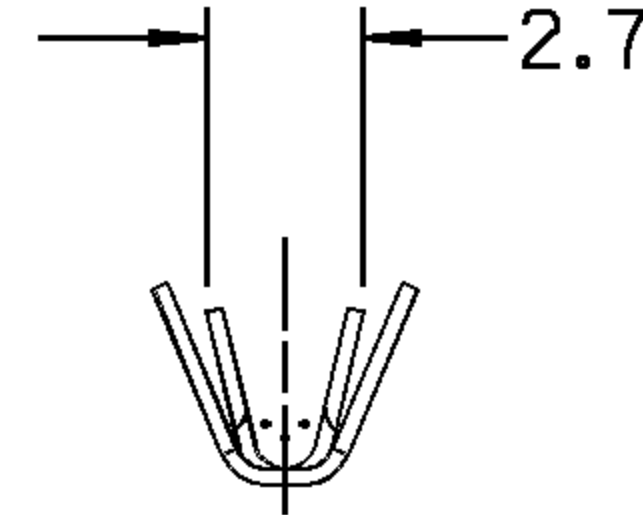
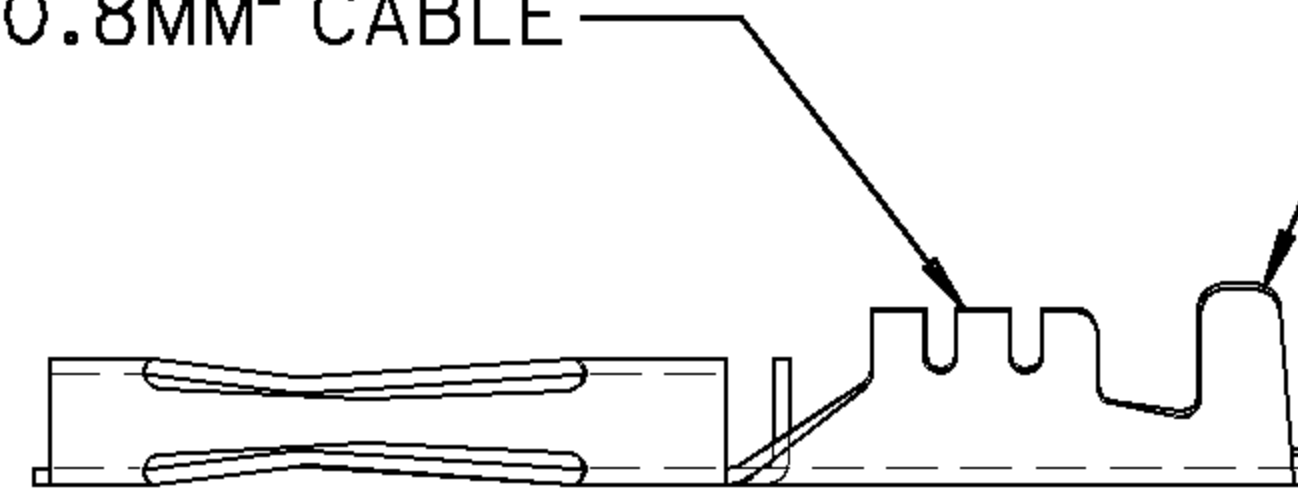
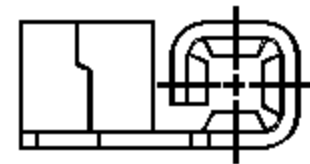
DO NOT SCALE

PART NO. 1208 9649



INSULATION WINGS FOR 2.20 MAX INSULATION CRIMP HEIGHT

CONDUCTOR WINGS FOR 1.0-0.8MM² CABLE



- NOTES — 1. MATING PIN 12020762 OR EQUIVALENT.
2. DIMENSIONS MARKED "REF" ARE FOR REFERENCE ONLY AND NO TOLERANCE LIMITS ARE ESTABLISHED.

DATE	SYM	REVISION RECORD	AUTHORITY	DR	CK
13AP89	A	RELEASED	890005	CDH	CDH
03N089	—	REVISED GRAPHICS	131127	BDG	BDG
29MY90	—	GRAPHICS REVISED	134292	ATL	ATL
14MY91	—	REMOVED 5.00 - 2 PLCS, 4.00 - 2 PLCS,			
		CONTACT LINES A & B	142309	JK	HH
23SE91	B	2.7 WAS 2.5	144297	TLM	TLM
09DE92	-	REVISED GRAPHICS	152070	BKD	BKD
13AU12	03	COMPOUND MAT'L CHANGE	419228	ARC	DAB
24AU12	03AA	UPDATED PDM ATTRIBUTES	419410	JLP	JAA

PED/INTEGRATED EMS		FILE SPEC: ****USER*** DGN#SPECIFICATION***** *****SYTIME*****
THIRD ANGLE PROJECTION		METRIC DIMENSIONS ARE IN MILLIMETERS UNLESS OTHERWISE SPECIFIED.
CODE NO. 6900	TOLERANCE UNLESS OTHERWISE SPECIFIED DECIMAL: ONE PLACE ± 0.2 ANGULAR ± 2° TWO PLACE ± 0.10	
Q.C.	DR. CRAIG D. HOOPES 13AP89	
DWG. DATE 13AP89	SCALE NONE	CK. CRAIG D. HOOPES DATE 13AP89
EST. NO.	REFERENCE NO. SHEET #2 12020760 "E" SIZE	APPR. R. KEARNS DATE 18AP89
MATERIAL SPEC. TIN PLATED COPPER ALLOY BLEND		
NAME TERM F MIC/P 100		
PART NO.	1208 9649	SIZE B
OUTLINE DRAWING		

PACKARD ELECTRIC DIVISION
GENERAL MOTORS CORPORATION
WARREN, OHIO

X-ON Electronics

Largest Supplier of Electrical and Electronic Components

Click to view similar products for [Automotive Connectors](#) category:

Click to view products by [APTIV](#) manufacturer:

Other Similar products are found below :

[003-018-000](#) [60403001](#) [60993906-B](#) [M902-2131](#) [M902-2161](#) [72.330.1035.1](#) [73.353.4028.0](#) [F119300-B](#) [F166900](#) [F258300-B](#) [F358300-B](#)
[F407400](#) [F444110](#) [F487000](#) [F509500B-B](#) [827153-1](#) [8N1515-32-24P](#) [9-1326729-8](#) [925474-1](#) [928905-1](#) [964562-4](#) [968782-1](#) [GT17SA-8DS-](#)
[HU](#) [98891-1012](#) [98947-1016](#) [12004475-L](#) [12010290](#) [12010309-B](#) [12015454](#) [12020219-B](#) [12020308](#) [12041318-B](#) [12052225-L](#) [12052466](#)
[12059125](#) [12064869](#) [12004327-B](#) [12010503-B](#) [12015308](#) [12015384](#) [12015909](#) [1-21030-1](#) [12041254](#) [12041318](#) [12047946-B](#) [12047957](#)
[12047957-L](#) [12059473](#) [12066261](#) [12110546](#)