

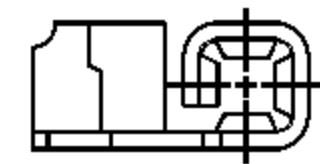
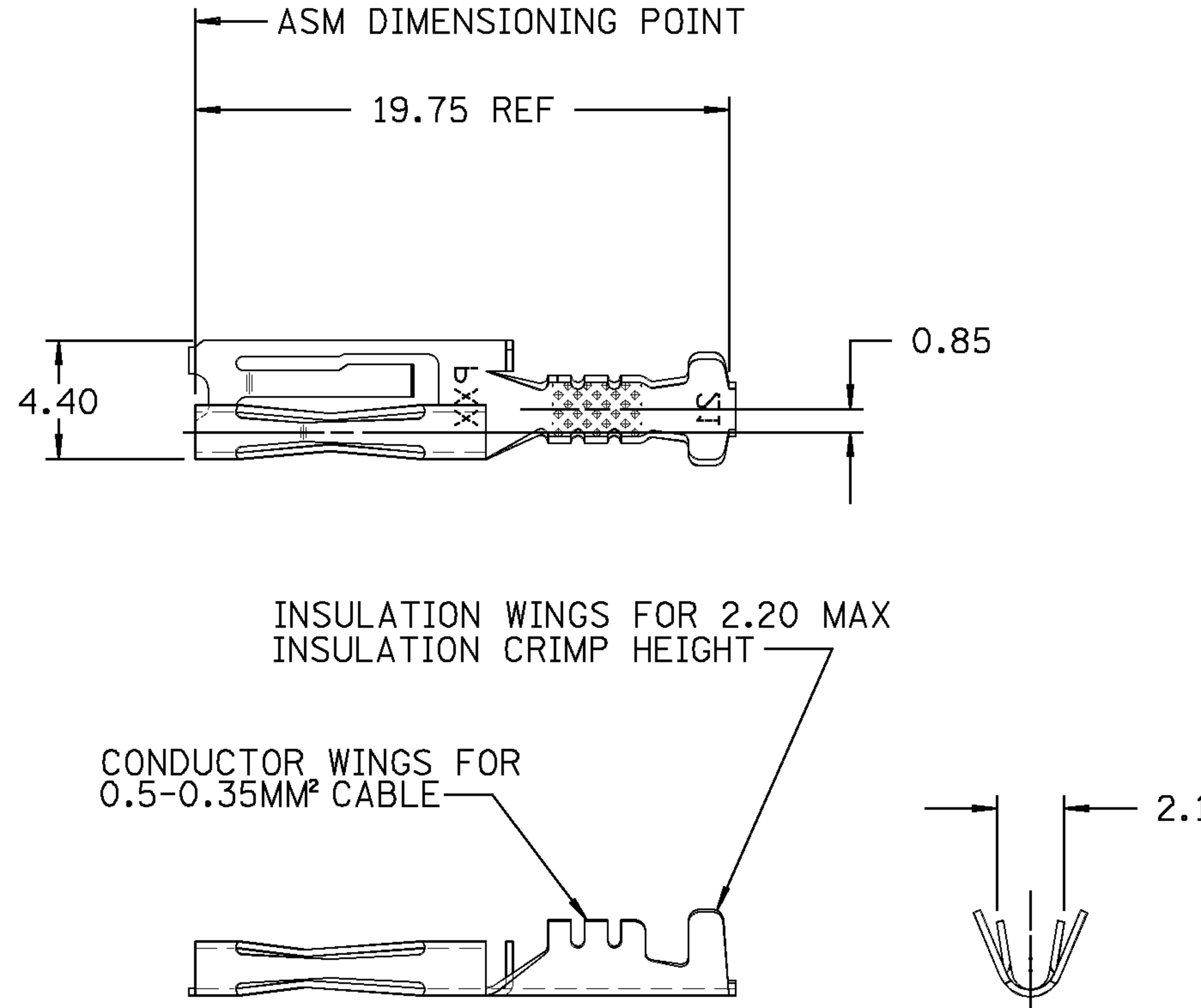
D

THIS DRAWING AND DESIGN HEREON CONSTITUTES A PROPRIETARY DESIGN OF PACKARD ELECTRIC DIVISION AND IS NOT TO BE DUPLICATED OR REPRODUCED WITHOUT AUTHORITY OF PACKARD ELECTRIC DIVISION.

DO NOT SCALE

PACKARD ELECTRIC DIVISION
GENERAL MOTORS CORPORATION
WARREN, OHIO

PART NO.
1208 9660



A

- NOTES** — 1. MATING PIN 12020762 OR EQUIVALENT.
2. DIMENSIONS MARKED "REF" ARE FOR REFERENCE ONLY AND NO TOLERANCE LIMITS ARE ESTABLISHED.

| DATE | SYM | REVISION RECORD | AUTHORITY | DR | CK |
|--------|------|--------------------------------------|-----------|-----|-----|
| 13AP89 | A | RELEASED | 890005 | CDH | CDH |
| 03N089 | — | REVISED GRAPHICS | 131127 | BDG | BDG |
| 29MY90 | — | GRAPHICS REVISED | 134292 | ATL | ATL |
| 14MY91 | — | REMOVED 5.00 - 2 PLCS, 4.00 - 2 PLCS | | | |
| | | CONTACT LINES A & B | 142309 | JK | |
| 09DE92 | - | REVISED GRAPHICS | 152070 | BKD | BKD |
| 13AU12 | 02 | COMPOUND MAT'L CHANGE | 419228 | ARC | DAB |
| 24AU12 | 02AA | UPDATED PDM ATTRIBUTES | 419410 | JLP | JAA |

| | | |
|--|--|---|
| PED/INTEGRAL <small>EMS</small> | | FILE SPEC: ****USER**** DGN SPECIFICATION***** *****SYTIME***** |
| THIRD ANGLE PROJECTION | | METRIC DIMENSIONS ARE IN MILLIMETERS UNLESS OTHERWISE SPECIFIED. |
| CODE NO. 6900 | TOLERANCE UNLESS OTHERWISE SPECIFIED DECIMAL: ANGULAR ± 2° ONE PLACE ± 0.2 TWO PLACE ± 0.10 | |
| Q.C. | DR. CRAIG D. HOOPES 13AP89 | |
| DWG. DATE 13AP89 | SCALE NONE | CK. CRAIG D. HOOPES DATE 13AP89 |
| EST. NO. | REFERENCE NO. SHEET #2 12020760 "E" SIZE | APPR. DATE APPR. R. KEARNS DATE 18AP89 |
| MATERIAL SPEC. TIN PLATED COPPER ALLOY BLEND | | |
| NAME TERM F MIC/P 100 | | |
| PART NO. | 1208 9660 OUTLINE DRAWING | SIZE B |

X-ON Electronics

Largest Supplier of Electrical and Electronic Components

Click to view similar products for [Automotive Connectors](#) category:

Click to view products by [APTIV](#) manufacturer:

Other Similar products are found below :

[003-018-000](#) [60403001](#) [60993906-B](#) [629515004020001](#) [M902-2131](#) [M902-2161](#) [72.330.1035.1](#) [73.353.4028.0](#) [F119300-B](#) [F166900](#)
[F258300-B](#) [F358300-B](#) [F407400](#) [F444110](#) [F487000](#) [F509500B-B](#) [827153-1](#) [8N1515-32-24P](#) [9-1326729-8](#) [925474-1](#) [928905-1](#) [964562-4](#)
[968782-1](#) [GT17SA-8DS-HU](#) [98891-1012](#) [98947-1016](#) [12004475-L](#) [12010290](#) [12010309-B](#) [12015454](#) [12020219-B](#) [12020308](#) [12041318-B](#)
[12052225-L](#) [12052466](#) [12059125](#) [12064869](#) [12004327-B](#) [12010503-B](#) [12015308](#) [12015384](#) [12015909](#) [1-21030-1](#) [12041254](#) [12041318](#)
[12047946-B](#) [12047957](#) [12047957-L](#) [12059473](#) [12066261](#)