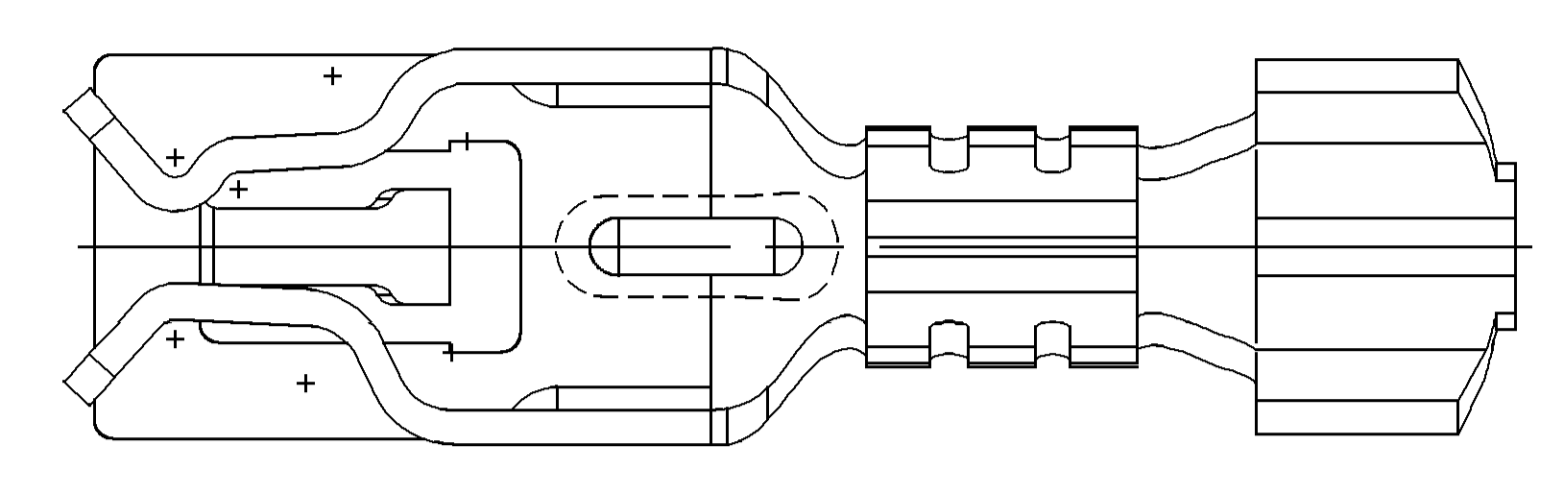
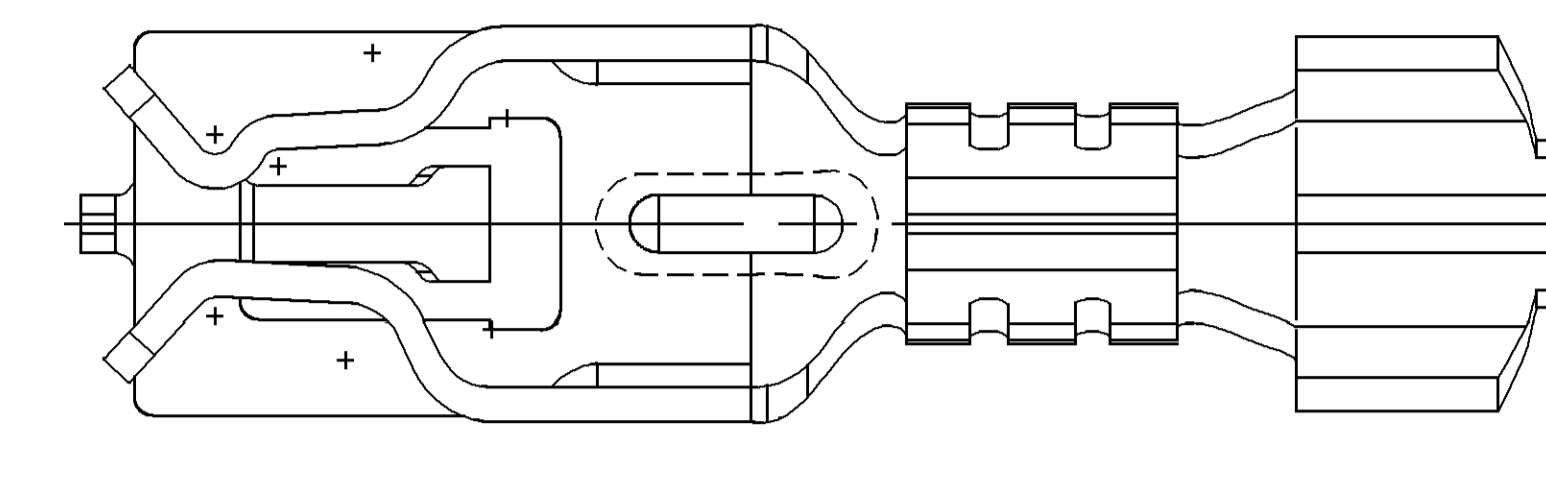


SYMBOL DEFINITION		MISSING NUMBERS	
THE NUMBER INSIDE THE SYMBOL CORRESPONDS TO THE NUMBER ON THE INSPECTION REPORT FOR THIS DRAWING/PART NUMBER	TOTAL NO. OF SYMBOLS ON DRAWING	8	
	LAST NO. USED	11	

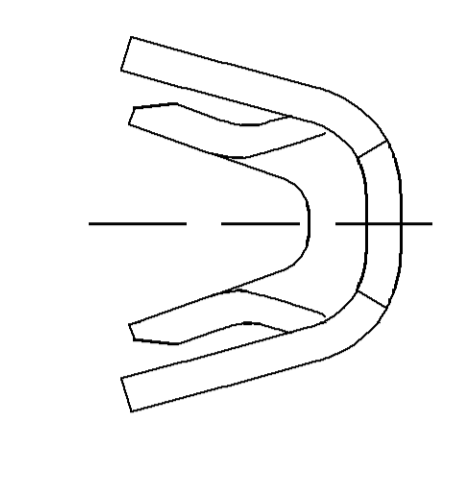
DWS STATUS					REVISION HISTORY			AUTH	DR	APVD	APVD	
DATE	STG	REV	N/P	CHG	ZONE	ALL ACTIVE PARTS - REDRAWN TO PD: 12089661 - UPDATED REV LEVEL			196864	EAR	OMC	JA
06DE99	R	001	-	-		ALL ACTIVE PARTS - REDRAWN TO PD: 12089661 - UPDATED REV LEVEL			196864	EAR	OMC	JA
15DE09	R	02	-	-		ALL ACTIVE PARTS - UPDATED MAT'L SPEC			409577	LMC	LMC	APR



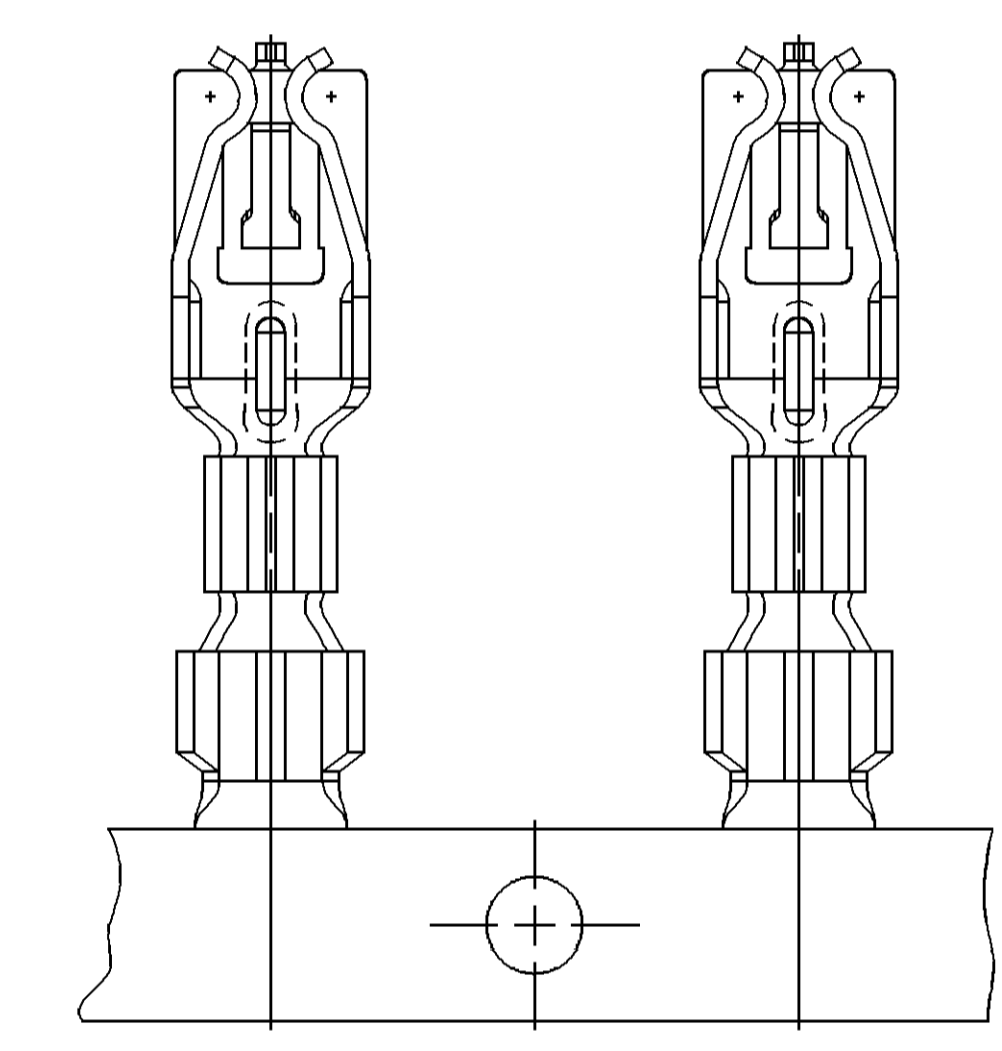
OPTIONAL CONSTRUCTION



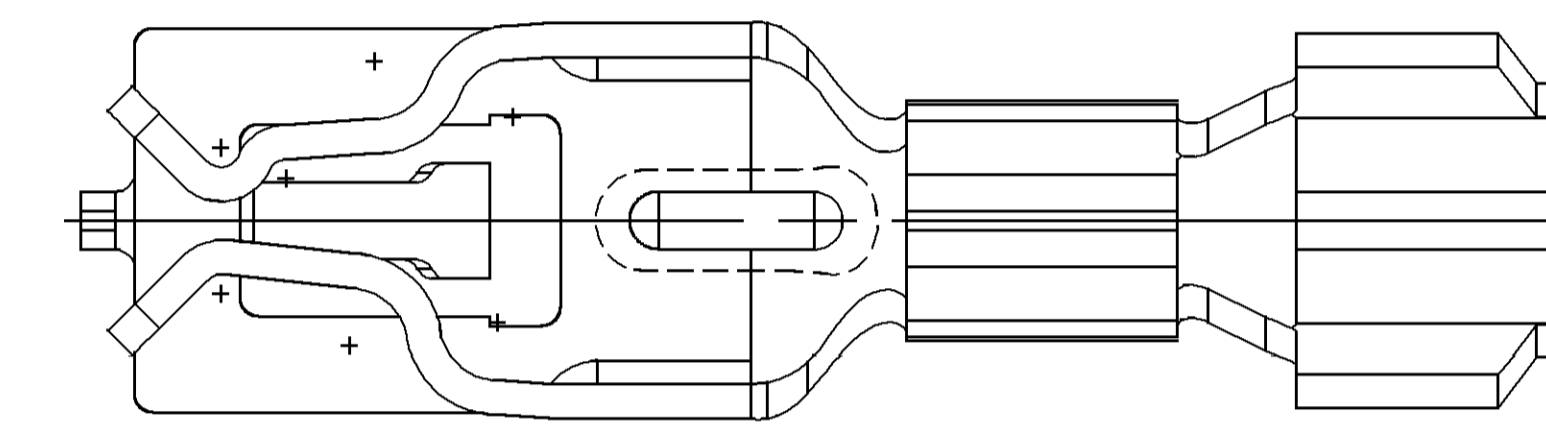
FORM TYPE 103



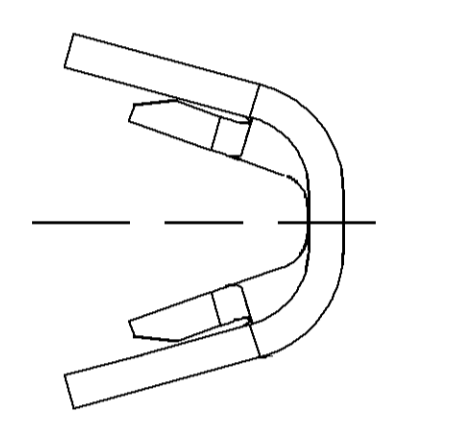
WING COSTRUCTION II



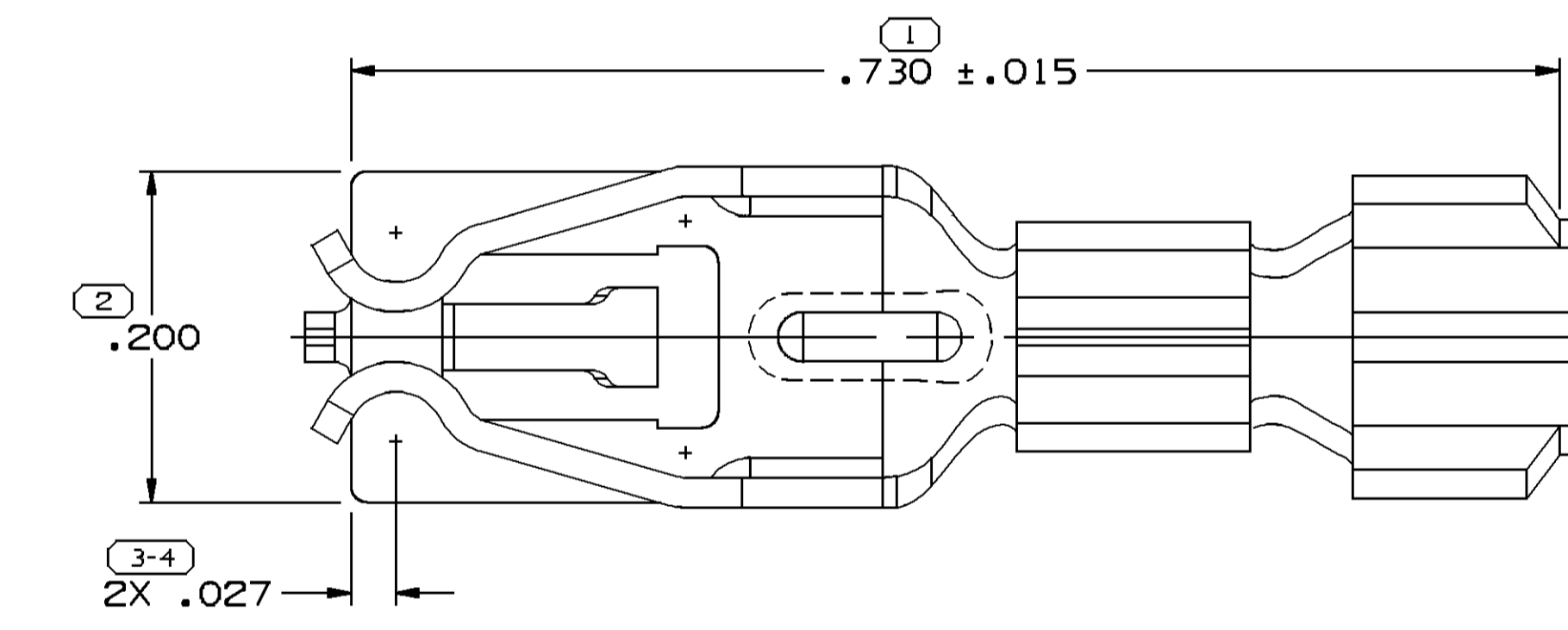
CARRIER STRIP VIEW
SCALE 5:1



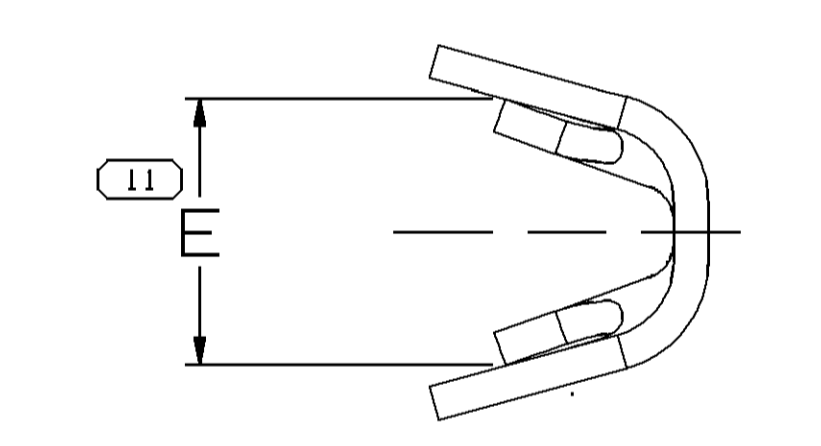
FORM TYPE 102



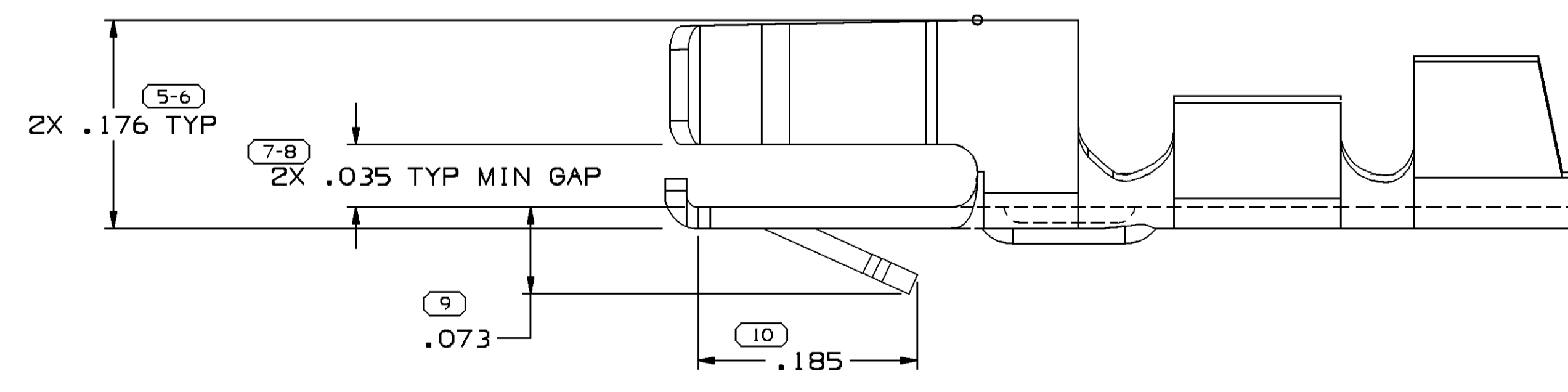
WING COSTRUCTION III



FORM TYPE 101



WING COSTRUCTION I



NOTES

- UNLESS OTHERWISE SPECIFIED AND/OR INDICATED: DIMENSIONS ARE TO FACE OF VIEW SHOWN AND AUTOMATICALLY ROUNDED BY COMPUTER FOR INSPECTION. (SEE MATH MODEL FOR PRECISE DIMENSIONS.) FOR ALL OTHER DIMENSIONS NOT SHOWN BUT REQUIRED FOR TOOL BUILD, SEE MATH MODEL FOR PRECISE TOOL PATH DATA.
- THIS PART ACCEPTS THE FOLLOWING COMPONENTS OR EQUIVALENT: BULB 09421330
- DO NOT PROBE, TEST OR OTHERWISE CONTACT THE INTERIOR REGION (THE SPRING OR ANY MOVING PART) OF THIS TERMINAL. SEVERE DAMAGE CAN OCCUR, COMPROMISING THE PERFORMANCE OF THE ELECTRICAL INTERFACE.

SCALE 1:1

PART NO	REV	N/P	STATUS	MAT'L SIZE	MAT'L SPEC	PART NO	REV	N/P	STATUS	MAT'L SIZE	MAT'L SPEC
15324265	A2	-	-	.018 X 1.062	M1525053 METL NONFERROUS C26000 EX HD	15324266	A2	-	-		
12089661	B2	-	-	.018 X 1.062	M1525053 METL NONFERROUS C26000 EX HD	12089139	E2	-	-		
12089136	G2	-	-	.018 X 1.062	M1525053 METL NONFERROUS C26000 EX HD	12089137	D2	-	-		
12089135	G2	-	-	.018 X 1.062	M1525053 METL NONFERROUS C26000 EX HD						
12089134	S2	-	-	.018 X 1.062	M1525053 METL NONFERROUS C26000 EX HD						
12089133	R	-	OBSOLETE	.018 X 1.062	S-1525053	12089138	D	-	OBSOLETE	K-1525053	
12084473	A	-	OBSOLETE	.018 X 1.062	S-1525053						
12084472	B	-	OBSOLETE	.018 X 1.062	S-1525053						
12084471	B	-	OBSOLETE	.018 X 1.062	S-1525053						
12084469	B	-	OBSOLETE	.018 X 1.062	S-1525053						
12077612	B	-	OBSOLETE	.018 X 1.062	S-1525053	12077561	B	-	OBSOLETE	K-1525053	
12041285	C	-	OBSOLETE	.018 X 1.062	S-1525053						
12020225	E	-	OBSOLETE	.018 X 1.062	S-1525053						
08917207	E	-	OBSOLETE	.018 X 1.062	S-1525053	12066089	B	-	OBSOLETE	K-1525053	
06294127	P	-	OBSOLETE	.018 X 1.062	S-1525053						
06294126	N	-	OBSOLETE	.018 X 1.062	S-1525053	12066090	B	-	OBSOLETE	K-1525053	

DWS TYPE		PART DRAWING	
STYLE		DISTR CODE	D
VOLUME (QAP)			
UNLESS OTHERWISE SPECIFIED			
PERFECT FORM REQUIRED FOR FEATURES OF SIZE AT MMC. TRUE POSITION, TOLERANCES AND RELATED DATUMS APPLY AT CONDITION OF SIZE INDICATED IN FEATURE CONTROL FRAME. ALL OTHER RELATED TOLERANCES AND RELATED DATUMS APPLY UNLESS OTHERWISE SPECIFIED.			
ALL DIMENSIONS ARE IN INCHES			
REFERENCE			
THIRD ANGLE PROJECTION			
DO NOT SCALE			
USE MATH DATA			

DELPHI
DELPHI PACKARD ELECTRICAL/ELECTRONIC ARCHITECTURE
WARREN, OH

DR	DATE
APV01 ANDT LE	30SEB7
APV02 D. STEELE	260CB7
APV03 E. MARAS	10NOB7
APV04	
APV05	

SUBSTANCES OF CONCERN AND RECYCLED CONTENT PER DELPHI (09449001)

MATERIAL SEE CHART

DRAWING NAME
TAXI TERM F LP SOC WEDGE TANG

DRAWING NUMBER
06294128

SIZE A0 SCALE 10:1 FRAME NO 1 OF 1 SHEET NO 1 OF 3 REV N/P R 02

DIMENSIONAL RANGE (LIT)		CHART	JT
FROM	0	>500	
TO	500		
TOLERANCE UNLESS OTHERWISE SPECIFIED			
	±.005	±.010	
ANGULAR TOLERANCE ±2°			

X-ON Electronics

Largest Supplier of Electrical and Electronic Components

Click to view similar products for [Automotive Connectors](#) category:

Click to view products by [APTIV](#) manufacturer:

Other Similar products are found below :

[003-018-000](#) [60403001](#) [60993906-B](#) [629515004020001](#) [M902-2131](#) [M902-2161](#) [72.330.1035.1](#) [73.353.4028.0](#) [F119300-B](#) [F166900](#)
[F258300-B](#) [F358300-B](#) [F407400](#) [F444110](#) [F487000](#) [F509500B-B](#) [827153-1](#) [8N1515-32-24P](#) [9-1326729-8](#) [925474-1](#) [928905-1](#) [964562-4](#)
[968782-1](#) [GT17SA-8DS-HU](#) [98891-1012](#) [98947-1016](#) [12004475-L](#) [12010290](#) [12010309-B](#) [12015454](#) [12020219-B](#) [12020308](#) [12041318-B](#)
[12052225-L](#) [12052466](#) [12059125](#) [12064869](#) [12004327-B](#) [12010503-B](#) [12015308](#) [12015384](#) [12015909](#) [1-21030-1](#) [12041254](#) [12041318](#)
[12047946-B](#) [12047957](#) [12047957-L](#) [12059473](#) [12066261](#)