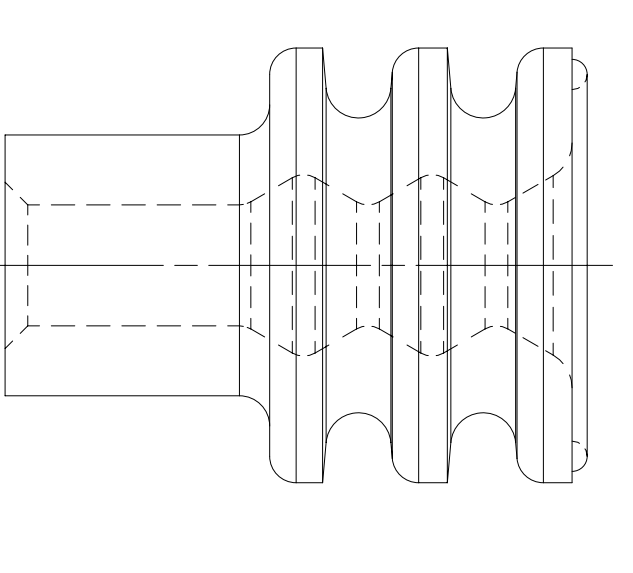
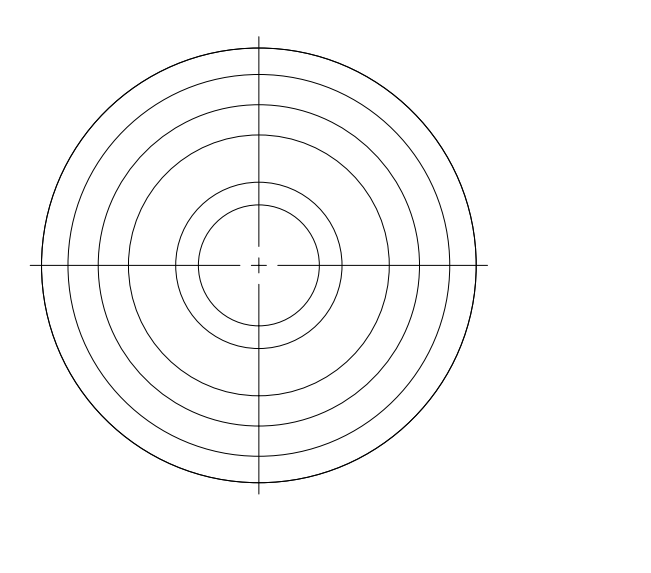
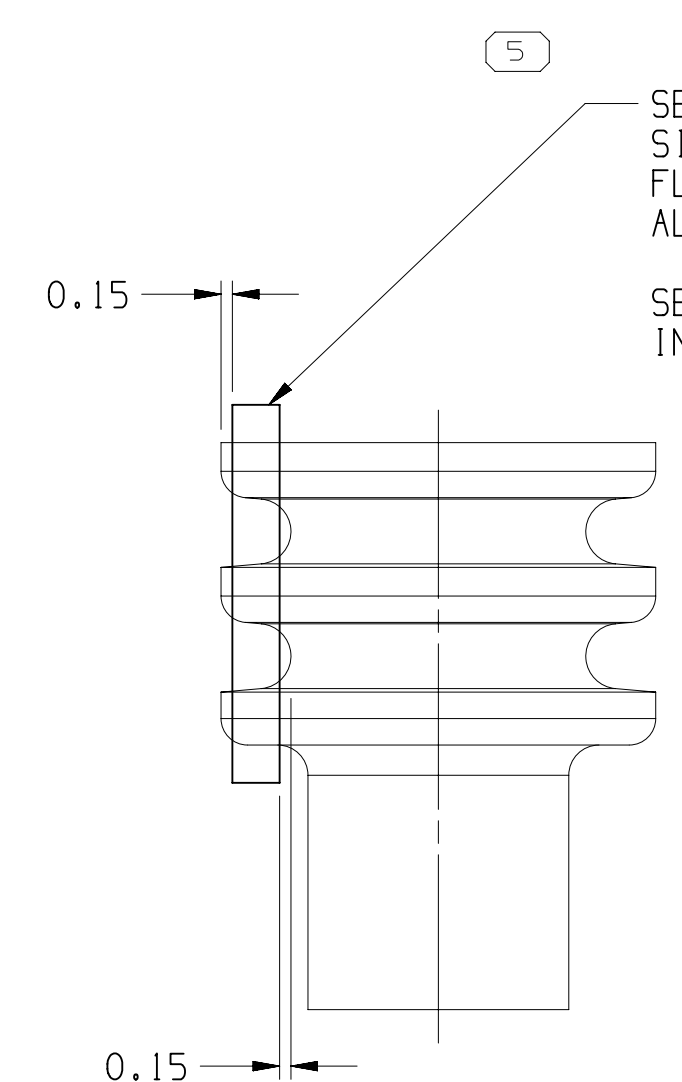


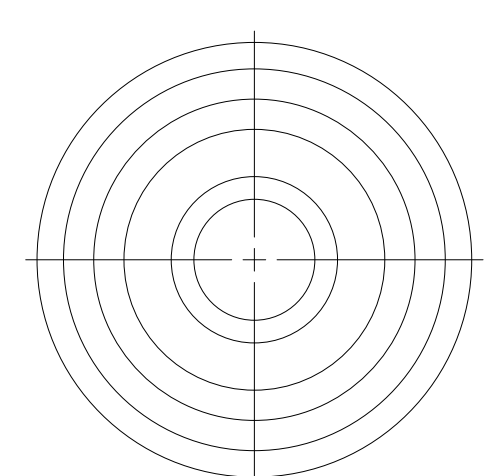
OPTIONAL CONSTRUCTION 1
(ANTI-STICK RING)



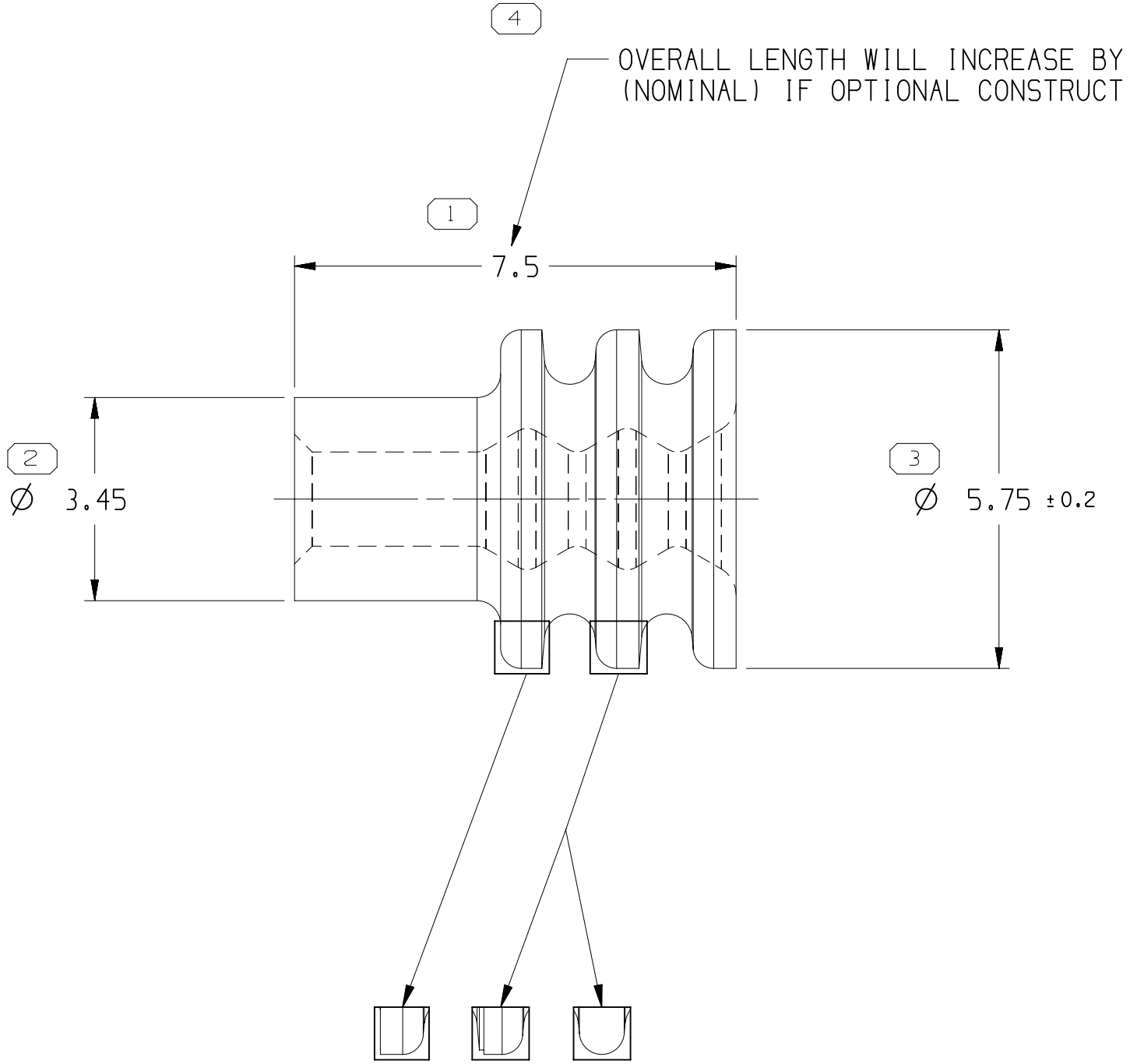
OPTIONAL CONSTRUCTION 2
THIS IS THE PREFERRED CONSTRUCTION FOR NEW TOOL BUILDS
(ANTI-STICK RING)



SEALING RIBS MUST BE FREE OF SINKS, VOIDS, KNIT LINES AND FLASH IN THE AREA SHOWN ALL AROUND PART.
SEE VPS A-121 FOR ADDITIONAL INFORMATION.



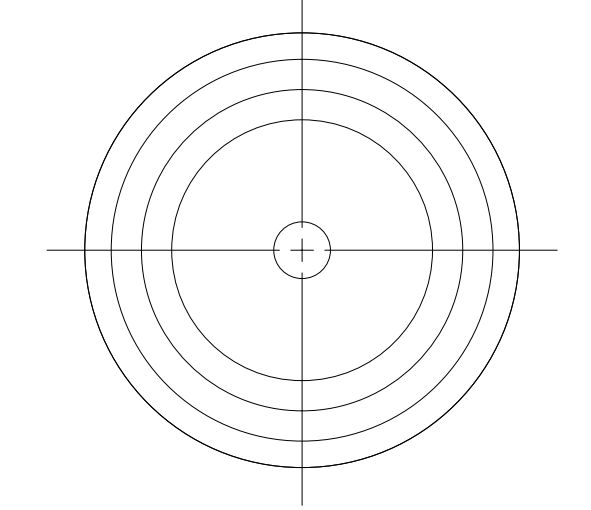
TYPE 401



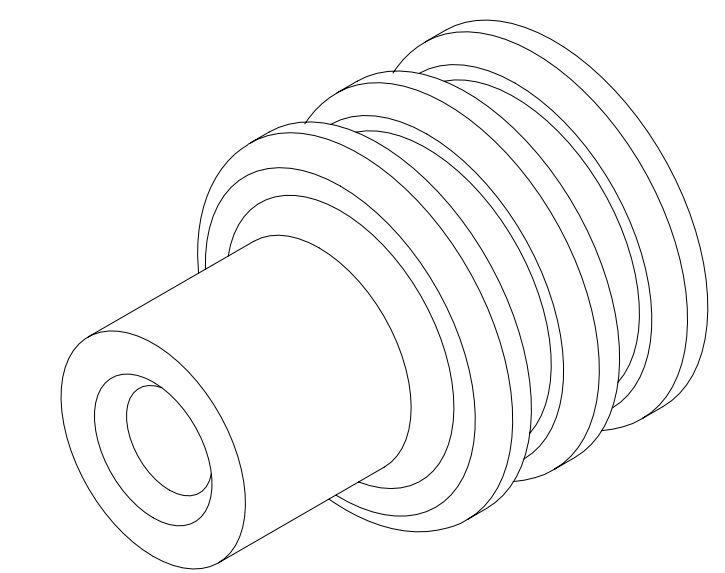
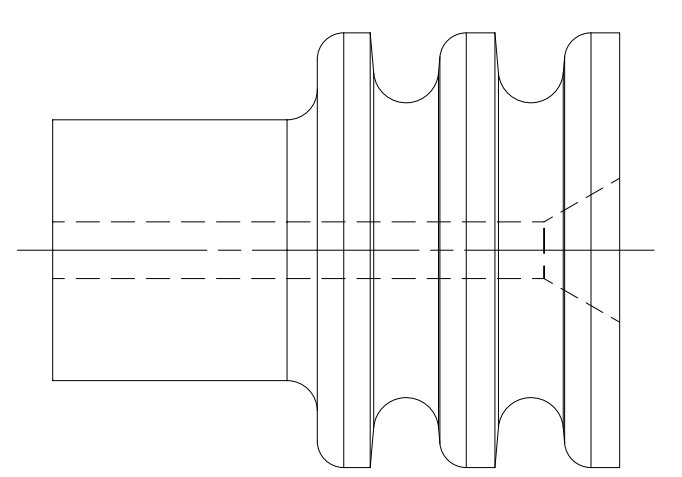
OVERALL LENGTH WILL INCREASE BY 0.2 MM NOMINAL IF OPTIONAL CONSTRUCTION 2 IS USED

SEALING RIBS MAY DIFFER AS SHOWN

SYMBOL DEFINITION		MISSING SYMBOLS	
A DIMENSION WITHOUT AN INSPECTION REPORT SYMBOL DOES NOT REQUIRE INSPECTION. IT MAY BE CONTROLLED ON THE INDIVIDUAL COMPONENT DRAWING.	TOTAL NO OF INSPECTIONS REQUIRED	NO MISSING SYMBOL NUMBER	
LAST NO. USED	5	5	



TYPE 402
SAME AS TYPE 401 EXCEPT AS SHOWN



- NOTES**
- UNLESS OTHERWISE SPECIFIED AND/OR INDICATED:
DIMENSIONS ARE TO FACE OF VIEW SHOWN AND AUTOMATICALLY ROUNDED BY COMPUTER FOR INSPECTION (SEE MATH MODEL FOR PRECISE DIMENSIONS). FOR ALL OTHER DIMENSIONS NOT SHOWN BUT REQUIRED FOR TOOL BUILD, SEE MATH MODEL FOR PRECISE TOOL PATH DATA.
 - SEALING RIBS ARE IDENTICAL, EXCEPT AS SHOWN.
 - PARTS NOT MADE ON FLASHLESS MOLDS MUST BE DEFLASHED, WASHED AND DRIED AFTER MOLDING. WASHING SHOULD OCCUR WITHIN 12 HOURS AFTER MOLDING.
 - PARTS ARE TO BE PACKAGED IN SEALED PLASTIC BAGS. GROSS WEIGHT INCLUDING CARTON IS NOT TO EXCEED 34 POUNDS.
 - PARTS MUST BE MADE FROM VIRGIN MATERIAL ONLY.
 - TO IMPROVE SEAL PROCESSING ON SLIPPERY OR SMOOTH CABLE INSULATION, THE APPLICATION ENGINEER MAY SURFACE THE NEXT SMALLER SEAL SIZE P/N IN PLACE OF THE INDICATED SEAL FOR THE "CABLE O.D." LISTED IN THE CHART.
 - DESIGNED FOR 0.8 MM² SOLID CORE DRAIN WIRE Ø 1.002 ± 0.007
 - PARTS MADE OF FLUOROSILICONE MUST BE POST-CURED FOR 4 HRS AT 400° F.
 - THIS PRODUCT IS NOT CATEGORIZED AS AN APPEARANCE ITEM, MINOR IMPERFECTIONS INCLUDING, BUT NOT LIMITED TO, FLOW MARKS, COLOR BLEMIISHES, GATE VESTIGE, AND SOFT FLASH THAT DO NOT AFFECT THE FIT, FORM, OR FUNCTION OF THE PART ARE PERMISSIBLE PER DPNP-4.7-CS-01.
 - P/N 13713911 MUST BE POST-BAKED FOR 4 HOURS AT 400° F.
 - SEE 12010295 SHEET 6 FOR MYLAR ASSEMBLY INFORMATION.

PART NO	REV	N/P	MATERIAL SPECIFICATION AND COLOR	TYPE	CABLE O.D. ±0.05 SEE NOTE #6	CAVITY ID	EQUIVALENT CABLE SEAL	NOTES	VOLUME	REPLACED BY	RESTRICTED USAGE
13766444	01	AA	SILICONE METHYL/VINYL GRAY	401	2.15-1.6	5.2	15324979	-	0.099	-	-
13713911	01	AA	SILICONE METHYL/VINYL GREEN	401	2.85-2.03	5.2	-	SEE NOTE 10	0.092	-	-
15393249	01	AJ	FLUOROSILICONE METHYL/VINYL GREEN	401	2.15-1.6	5.2	-	SEE NOTE 8	0.099	-	-
15324979	01	AJ	SILICONE METHYL/VINYL GRAY	401	2.15-1.6	5.2	12186769	-	0.099	-	-
15324976	01	AJ	SILICONE METHYL/VINYL WHITE	401	2.15-1.6	5.2	12089678	-	0.099	-	-
15324975	01	AF	SILICONE METHYL/VINYL OCHER	402	1.009-0.995	5.2	-	SEE NOTE 7	0.109	-	-
15324974	01	AK	SILICONE METHYL/VINYL BLUE	401	1.7-1.29	5.2	12048087	-	0.105	-	-
15324973	01	AK	SILICONE METHYL/VINYL REDDISH BROWN	401	2.85-2.03	5.2	12048086	-	0.092	-	-
12186769	B9	-	SILICONE METHYL/VINYL GRAY	401	2.15-1.6	5.2	15324979	-	0.099	-	-
12129926	B7	-	FLUOROSILICONE METHYL/VINYL ORANGE	401	1.7-1.29	5.2	-	SEE NOTE 8	0.105	-	-
12110213	BB	-	FLUOROCARBON BLUE	401	2.65-1.85	5.2	-	-	0.099	-	-
12089678	A11	-	SILICONE METHYL/VINYL WHITE	401	2.15-1.6	5.2	15324976	-	0.099	-	RESTRICTED
12089441	B	-	SILICONE METHYL/VINYL YELLOW	401	2.15-1.6	5.2	-	-	0.099	-	-
12084193	AB	-	SILICONE METHYL/VINYL TAN	402	1.009-0.995	5.2	15324974	-	0.109	-	-
12048087	O2	AH	SILICONE METHYL/VINYL BLUE	401	1.7-1.29	5.2	15324974	-	0.105	15324974	-
12048086	O2	AG	SILICONE METHYL/VINYL REDDISH BROWN	401	2.85-2.03	5.2	15324973	-	0.092	15324973	-

DIMENSIONAL RANGE (MM)	CHART	ET
FROM	> 0	> 30
TO	> 20	> 100
	> 30	> 200
	> 40	> 500
	> 50	> 1000
	> 63	> 2000
	> 80	> 5000
	> 100	> 10000
	> 125	> 20000
	> 160	> 50000
	> 200	> 100000
	> 250	> 200000
	> 315	> 500000
	> 400	> 1000000
	> 500	> 2000000
	> 630	> 5000000
	> 800	> 10000000
	> 1000	> 20000000
	> 1250	> 50000000
	> 1600	> 100000000
	> 2000	> 200000000
	> 2500	> 500000000
	> 3150	> 1000000000
	> 4000	> 2000000000

DWG STATUS		ZONE		REVISION HISTORY			AUTH		DR		APVD	
DATE	STG	REV	N/P	CHG								
03DEC99	R	001	-	-	ALL PARTS - REDRAWN TO PD	990009	EOV	OMP	RH			
03DEC99	R	002	-	-	15324973-76 & 15324979 - RELEASED	990005	EOV	OMP	RH			
17MY00	R	003	-	-	15393249 - RELEASED	000005	MAC	MAC	MM			
07NOV00	R	004	-	-	15324973-76 & 15324979 - REVISED	202978	JLZ	EAR	JR			
07NOV00	R	005	-	-	15393249 - REVISED MYLAR & CABLE SEAL ASM COLUMN	204413	EAR	EAR	JR			
19JAO1	R	006	-	-	UPDATED PDM ATTRIBUTES	205150	JLZ	JLZ	JR			
09JAO1	R	007	-	-	15393249 - PM009216 WAS PM002196 AND "G" DIM WAS 5.75 +/- 0.15	205774	MAC	MAC	TP			
29MR01	R	008	-	-	15393249 - MAT'L SPEC WAS PM009216	207669	FMH	FMH	TL			
06NOV01	R	009	-	-	12048086 - UPDATED PDM ATTRIBUTES	215063	MRL	MRL	DLB			
10FEO3	R	10	-	-	15324974 AND 15324976 - UPDATED PDM ATTRIBUTES	236300	BRB	BRB	MLP			
05AP04	R	11	-	-	12052925, 12052924, 15393249, 15324979, 15324976, 15324975, 15324973, 12186769, 12129926, 12110213, 12089678, 12089441, 12084193, 12048087, AND 12048086 - UPDATED MAT'L SPECS, REMOVED MAT'L SPEC NOTES, NOTE 9 WAS 10 AND REMOVED OLD NOTE 9, REMOVED "Ø A" DIM 2 PLCS AND "A" COLUMN FROM CHART, ADDED COLOR COLUMN TO CHART	251238	BRB	BRB	MR			
19NOV04	R	12	-	-	REVISED CHART	261378	MLM	MLM	MR			
23FEO5	R	13	-	-	12048086, 12048087, 12084193, 12089678, 12110213, 12186769, 12052924, 12052925, 12124669, 12089442 AND 12186770 ADDED RESTRICTED STATUS; 15324973-4976 AND 15324979 MAT'L SPEC WAS M3466; ADDED NOTES COLUMN TO CHART; NOTE 7 WAS 9, NOTE 8 WAS 7 AND NOTE 9 WAS 8; REMOVED DIM 'C' FROM TYPE 402 VIEW	265239	RH	RH	MR			
10JNO5	R	14	-	-	REVISED GRAPHICS	269180	BPS	JVM	MJR			
17FEO6	R	15	-	-	REVISED CHART	277502	MM	MM	MR			
03MR06	R	16	-	-	15324973-76 & 15324979 - MAT'L SPEC WAS M3469	277946	HCB	JVM	MR			
17AUG06	R	17	-	-	15324975 - OBSOLETE	273517	CCV	AUG	MR			
03OCT06	R	18	-	-	ALL ACTIVE PARTS - ADDED SEALING RIBS VIEWS, OVERALL LENGTH LABEL, SEALING RIBS LABEL, ANTI-STICK RING OPTIONAL CONSTRUCTION 1 & 2 VIEWS AND DIMS (2 PLCS); 12084193 & 12124669 - REMOVED RESTRICTED, OPTIONAL CONSTRUCTION VIEWS, CONSTRUCTION LINE VIEWS, TYPES 404, 405 & 406 VIEWS AND COLUMNS C,F & G FROM CHART; DIM Ø 3.45 WAS Ø C, DIM Ø 5.75 Ø 0.2 WAS Ø 6 & DIM 7.5 WAS F, CABLE OD RANGE 1.2 - 1.7 WAS 1.29 - 1.7 AND EQUIVALENT CABLE SEAL COLUMN; 15324973-74, 15324976 & 15324979 - MAT'L SPEC M3469 WAS M3466 & ADDED ALTERNATE MAT'L SPEC M3466XXX	285225	JBD	FRG	MJR			
11OCT07	R	19	-	-	ALL ACTIVE PARTS - ADDED NOTE 10, USAGE COLUMN AND CHAMFER TO TYPES 401, REVISED TYPE 403 TO 401	402596	RH	RH	MJR			
30SEP08	R	20	-	-	13713910 & 13713911 - RELEASED	406278	RRR	AGN	RRR			
01MAY09	R	21	-	-	ALL ACTIVE PARTS - UPDATED MAT'L SPEC TO GENERIC CALLOUT, REMOVED ALTERNATE MAT'L SPEC COLUMN FROM CHART; 12186769 - REMOVED NOTE FROM CHART AND 13713910 & 13713911 - OBSOLETE	407894	RTV	AUG	MJR			
03JNO9	R	22	-	-	13766444 - RELEASED	408127	ECB	AUG	JOS			
24JUN09	R	23	-	-	ALL PARTS - ADDED VOLUME COLUMN AND REMOVED COLOR COLUMN	408462	ECB	AUG	MJR			
30OCT09	R	24	-	-	12084193 - UPDATED PDM ATTRIBUTES	409370	JAR	JAR	MJR			
15MY10	R	25	-	-	UPDATED PDM ATTRIBUTES	410847	MAL	MAL	JFB			
15JUN10	R	26	-	-	12052924-25, 12089442, 12124669, 12146011, 12186770 & 13713910 - MOVED TO SHT 6; 12048086-B7 & 12089678 - OBSOLETE AND ADDED "REPLACED BY" COLUMN ON CHART	411067	AGM	JAA	MJR			
12JAN11	R	27	-	-	15324973 - UPDATED PDM ATTRIBUTES	413028	AHY	JAA	JEM			
13SEP11	R	28	-	-	12089678 - REINSTATED AND ADDED RESTRICTED USAGE COLUMN	444511	JG0	JAA	JAF			

•APTIV•

CONNECTION SYSTEMS

WARREN, OH

COPYRIGHT 1989 APTIV, ALL RIGHTS RESERVED.

THIS DRAWING IS THE PROPERTY OF APTIV AND CONTAINS APTIV CONFIDENTIAL INFORMATION. THE REPRODUCTION, DISTRIBUTION AND UTILIZATION OF THIS DOCUMENT OR ITS RELATED CAD DATA, AS WELL AS COMMUNICATION OF ANY CONTENT TO OTHERS, WITHOUT EXPRESS AUTHORIZATION, IS PROHIBITED.

THIS DOCUMENT IS IN ACCORDANCE WITH ASME Y14.5M-1994 AS MODIFIED BY THE 08 GLOBAL DIMENSIONING AND TOLERANCING ADDENDUM - 1997. ALL GEOMETRIC TOLERANCES AND RELATED VALUES APPLY UNLESS RULE #11 DEFECT FORM AT MANU DOES NOT APPLY. WHEN BEARING/TOLERANCE BETWEEN FEATURES IS ESTABLISHED BY ORIENTATION OR LOCATION TOLERANCES, SEPARATE POSITION CALLOUTS MAY BE GAGED SEPARATELY, REGARDLESS OF DATUM REFERENCE.

ALL DIMENSIONS ARE IN MILLIMETERS

APPROVED:

DR	J. HOUGELMAN	13 JAN 09
APVD1	T. MUDREY	26 JAN 09
APVD3	A. HERMANN	31 JAN 09
APVD4		

DRAWING NUMBER: TAXI SEAL CBL IW M/P

DRAWING NUMBER: 12010295

SIZE: A0 SCALE: 10:1 FRAME NO: 1 SHEET NO: 4 OF 2 STG: REV: N/P: R 28 -

2D PART DRAWING DATE: 09-30-2009 11:59:38 AM
 3D PART MODEL DATE: 09-30-2009 11:59:38 AM
 3D PART MODEL VERSION: 00000000
 FILE: D:\PROJECTS\12010295\12010295.DWG
 PLOT: 12/22/2008 12:58:53 PM
 PLOTTER: HP DesignJet 500 Series
 PLOT SCALE: 1.000000
 PLOT SHEET: 1 OF 2

X-ON Electronics

Largest Supplier of Electrical and Electronic Components

Click to view similar products for [Automotive Connectors](#) category:

Click to view products by [APTIV](#) manufacturer:

Other Similar products are found below :

[003-018-000](#) [60993906-B](#) [M902-2131](#) [M902-2161](#) [M902-2344](#) [72.330.1035.1](#) [73.353.4028.0](#) [F166900](#) [F358300-B](#) [F407400](#) [776880-1](#)
[827153-1](#) [8N1515-32-24P](#) [9-1326729-8](#) [925474-1](#) [928905-1](#) [964562-4](#) [968782-1](#) [98891-1012](#) [12004475-L](#) [12020308](#) [12041318-B](#)
[12052466](#) [12064869](#) [12015909](#) [1-21030-1](#) [12041254](#) [12041318](#) [12047946-B](#) [12110546-B](#) [12131792](#) [12084688](#) [12092346](#) [HD34-18-14PT](#)
[HD46-24-23SN-059](#) [HDB36-24-16PN-059](#) [HDP26-24-9SE-L015](#) [12185280](#) [12185550](#) [12336-12](#) [12191172-B](#) [12S](#) [13545280](#) [13577943](#)
[13681974](#) [13737722-B](#) [13830674](#) [13832576](#) [13849772](#) [13542772](#)