

BLADE THICKNESS AND WIDTH MUST BE MAINTAINED FOR A MINIMUM OF 9.3 MM FROM THE COINED END.

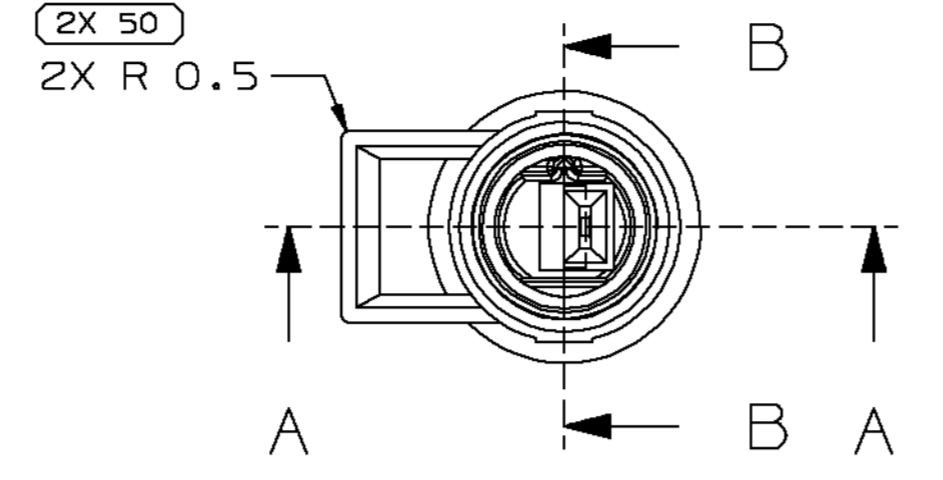
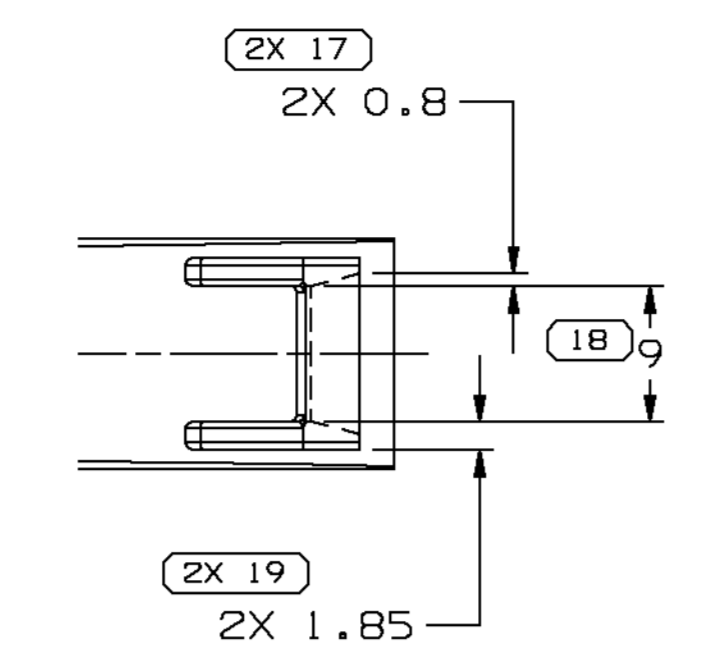
**MATERIAL SPECIFICATIONS**

**RECOMMENDED**  
 BASE METAL - CDA-210, GILDING, EXTRA SPRING TEMPER.  
 PLATING - 0.0025/0.0075 MM THICK TIN.

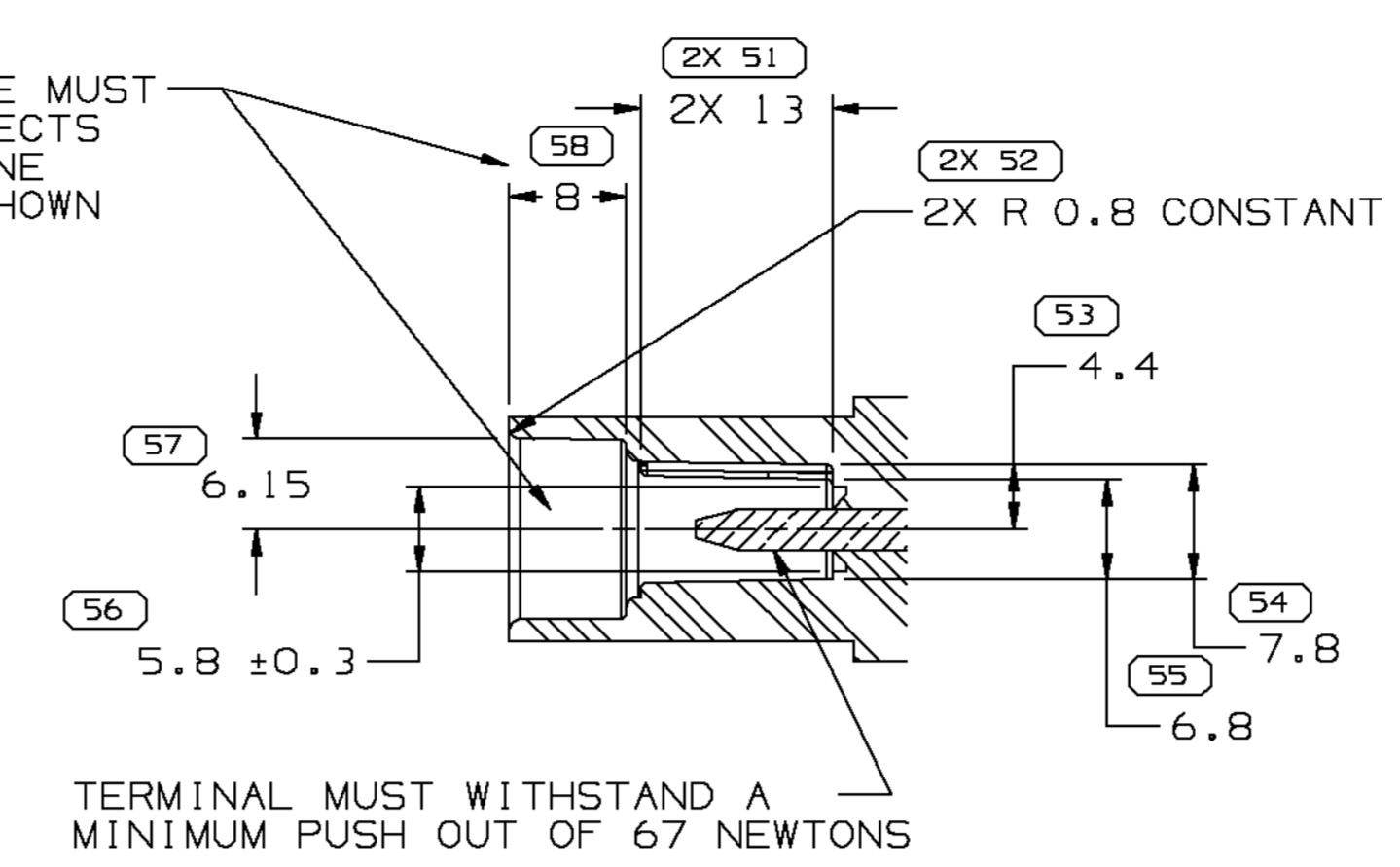
**MINIMUMS**  
 ELECTRICAL CONDUCTIVITY - ≥ 20% IACS ± 20°C  
 TENSILE STRENGTH - 407 MPA  
 PLATING - FOR LOW ENERGY (≤ 5 V.) & NON-PASSENGER COMPARTMENT POWER CIRCUITS 0.0025/0.0075 MM THICK TIN. FOR MATERIALS CONTAINING 10% OR MORE ZINC, AN UNDERPLATE OF COPPER 0.0025/0.0075 MM THICK IS REQUIRED.

**MATING BLADE INFORMATION**

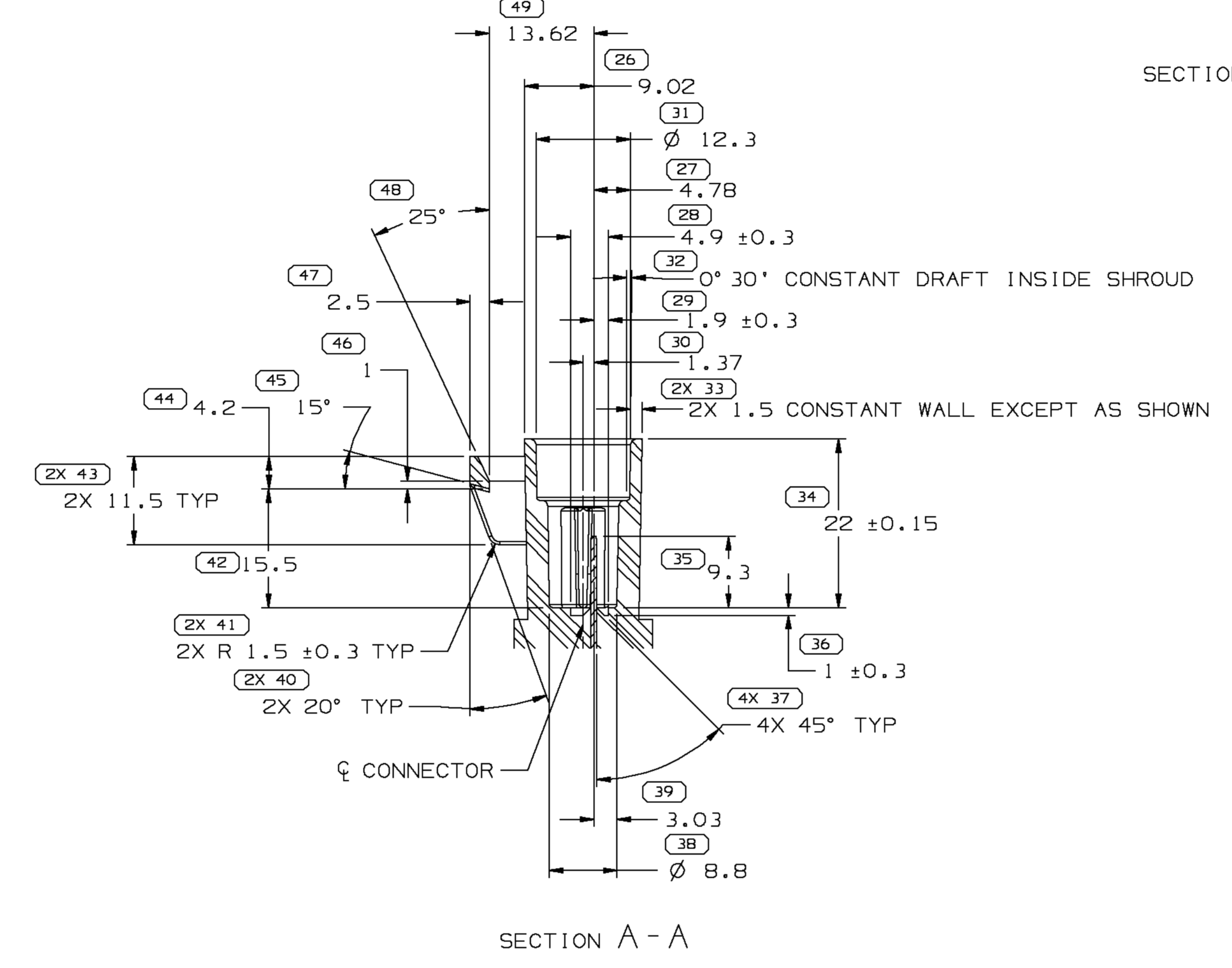
SCALE 5:1  
 INSPECTION SYMBOLS SHOWN ON THESE VIEWS ARE FOR REFERENCE ONLY



SEALING SURFACE MUST BE FREE OF DEFECTS AND PARTING LINE FOR DISTANCE SHOWN



**SECTION B-B**



**SECTION A-A**

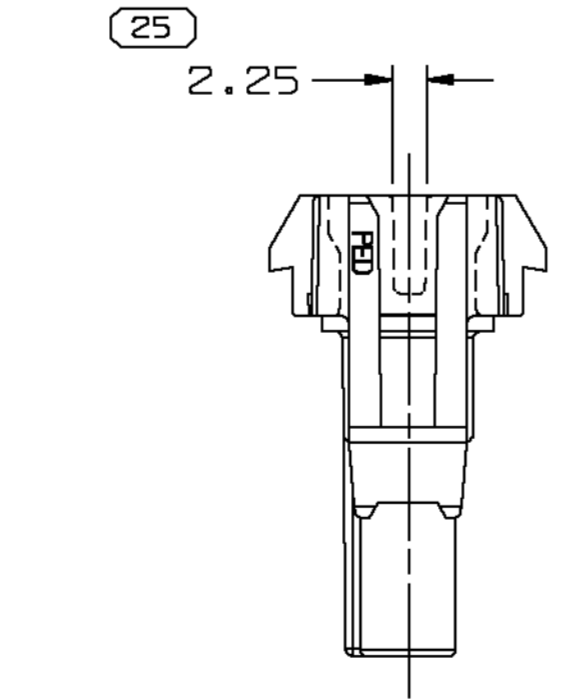
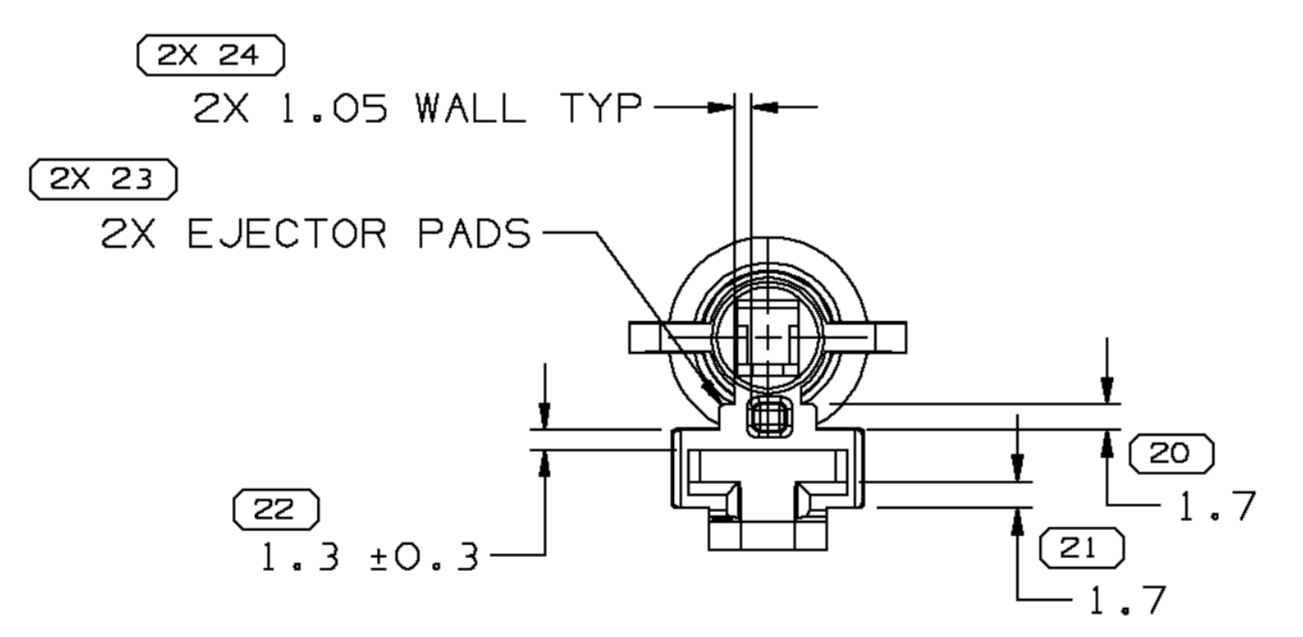
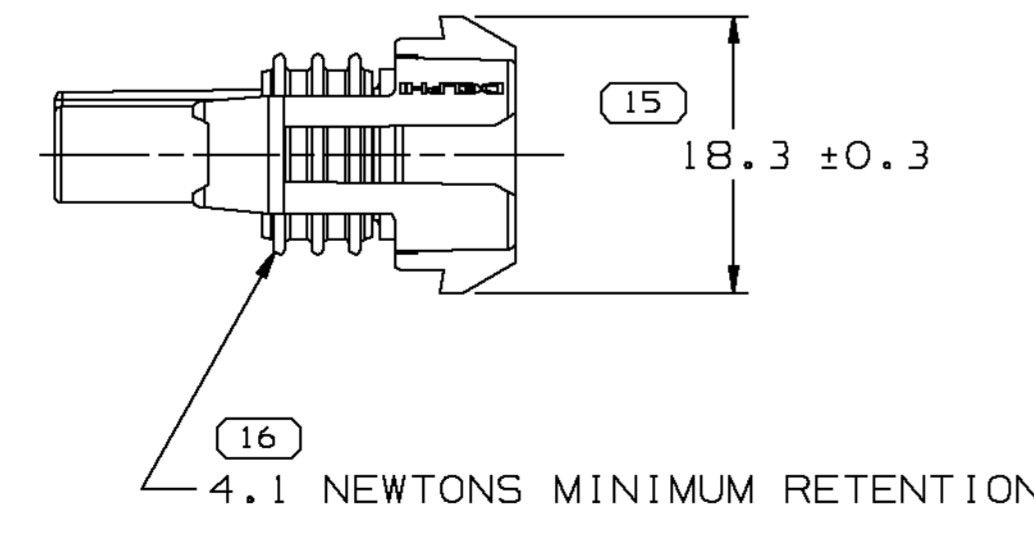
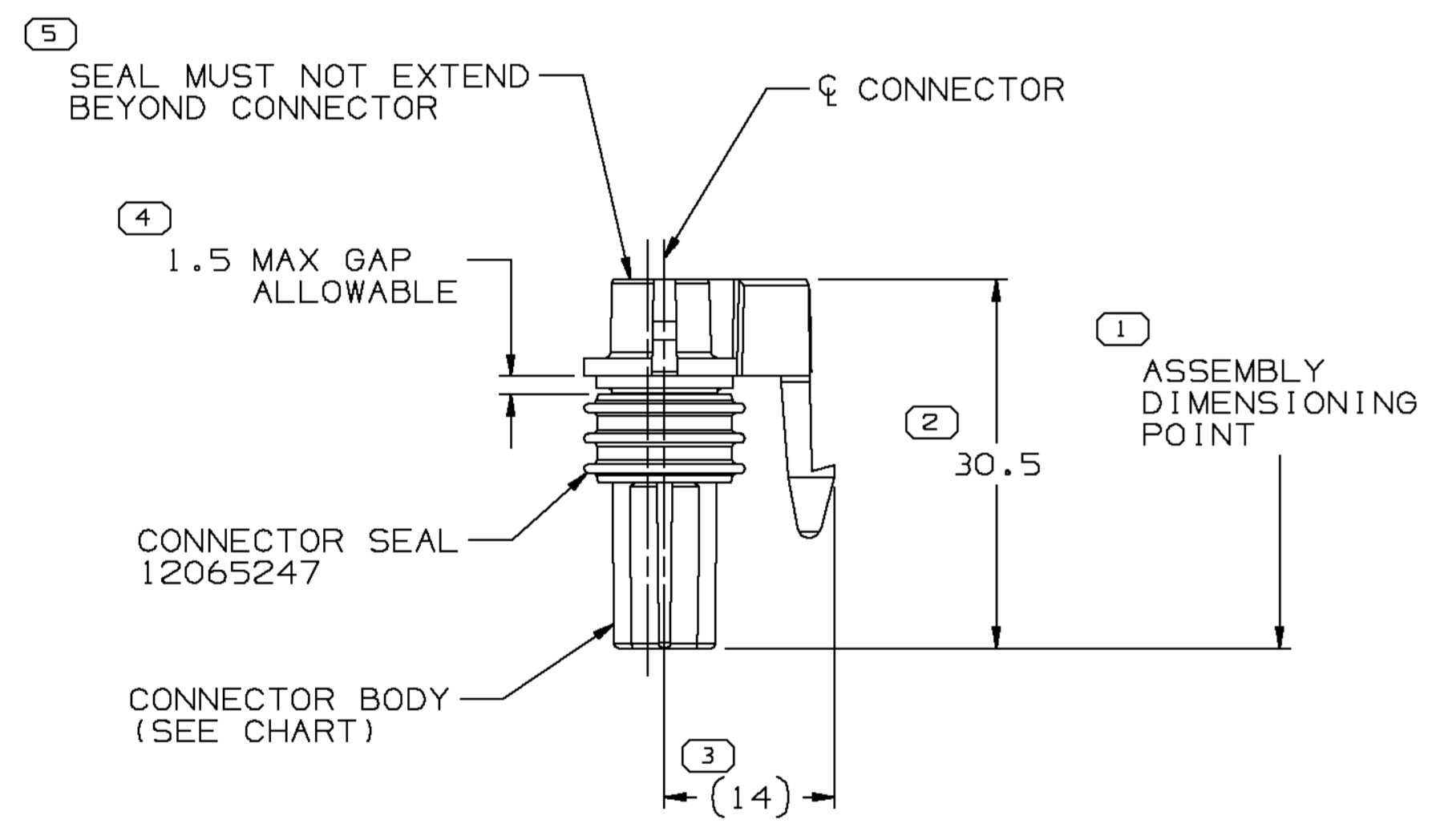
**NOTES**

- UNLESS OTHERWISE SPECIFIED AND/OR INDICATED: DIMENSIONS ARE TO FACE OF VIEW SHOWN AND AUTOMATICALLY ROUNDED BY COMPUTER FOR INSPECTION (SEE MATH MODEL FOR PRECISE DIMENSIONS). FOR ALL OTHER DIMENSIONS NOT SHOWN BUT REQUIRED FOR TOOL BUILD, SEE MATH MODEL FOR PRECISE TOOL PATH DATA. ALL RADII 0.4 DRAFT IS 1° ON ALL OUTSIDE SURFACES
- WHEN USING THIS INFORMATION FOR A NEW DESIGN, REQUEST THE LATEST COPY OF THIS PRINT FROM DELPHI PACKARD ELECTRIC DIVISION

**RECOMMENDED MATERIAL**  
 GLASS REINFORCED NYLON OR POLYESTER

**MATING CONNECTOR INFORMATION**

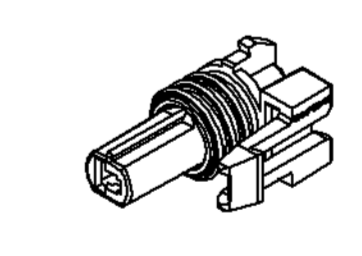
SCALE 5:1  
 INSPECTION SYMBOLS SHOWN ON THESE VIEWS ARE FOR REFERENCE ONLY



**OPTIONAL CONNECTOR CONSTRUCTION**

**NOTES**

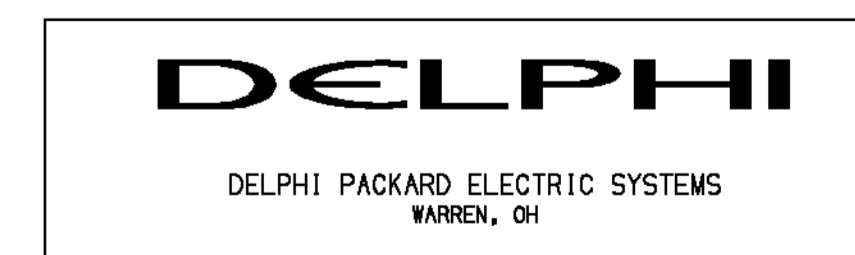
- UNLESS OTHERWISE SPECIFIED AND/OR INDICATED: DIMENSIONS ARE TO FACE OF VIEW SHOWN AND AUTOMATICALLY ROUNDED BY COMPUTER FOR INSPECTION (SEE MATH MODEL FOR PRECISE DIMENSIONS). FOR ALL OTHER DIMENSIONS NOT SHOWN BUT REQUIRED FOR TOOL BUILD, SEE MATH MODEL FOR PRECISE TOOL PATH DATA.
- SEALING CODE 3 - DESIGN WILL PASS SALT FOG AND IMMERSION TEST AFTER CONDITIONING AS SPECIFIED IN ESA-644 (WEATHER-PACK), ESA-710 (METRI-PACK), ESA-650 (UNDERHOOD MICRO-PACK), C-4006 (WORLD CONNECTOR), ETC WHEN MATED TO MATING PART OR EQUIVALENT
- THIS PART ACCEPTS THE FOLLOWING COMPONENTS OR EQUIVALENT: CAVITIES TO ACCEPT 12077412 TERMINAL OR EQUIVALENT. SECONDARY TERMINAL LOCK 12065249. CABLE SEAL 12041351. CONNECTOR POSITION ASSURANCE LOCK 12052834
- WHEN PARTS ARE SHIPPED, THEY MUST BE PACKED IN PLASTIC BAGS OR SHIPPING CONTAINERS MUST BE LINED WITH PLASTIC LINERS. BAGS OR LINERS MUST BE SEALED TO AVOID ENTRY OF FOREIGN MATTER.



15481001	01	-	-	15483473	12089914
12089916	A	-	-	12089912	12069914
12065172	A	-	-	12065170	12065171
PART NO	REV	N/P	STATUS	CONNECTOR P/N	MATING CONNECTOR

SYMBOL DEFINITION		TOTAL NO OF INSPECTIONS REQUIRED	MISSING SYMBOLS
A DIMENSION WITHOUT AN INSPECTION REPORT SYMBOL DOES NOT REQUIRE INSPECTION. IT MAY BE CONTROLLED ON THE INDIVIDUAL COMPONENT DRAWING.		74	NO MISSING SYMBOL NUMBER
		LAST NO. USED	58

DATE		STG	REV	N/P	CHG	ZONE	REVISION HISTORY		AUTH	DR	APVD	APVD
05N003	R	01	-	-	-	-	ALL PARTS - CLEARED REV COLUMN AND REDRAWN TO PD; 15481001 - RELEASED		248063	JAA	JAA	RMF



DR TYPE	PART DRAWING	
STYLE	D	
VOLUME (CWP)	6900	
ROUTING	6900	
UNLESS OTHERWISE SPECIFIED THIS DOCUMENT IS IN ACCORDANCE WITH ASME Y14.5M-1994 AS MODIFIED BY THE DIMENSIONING AND TOLERANCING ADDENDUM-2002. SEPARATE PATTERNING OF FEATURES MAY BE SHOWN SEPARATELY. DIMENSIONS PER DATUM REFERENCES.		
ALL DIMENSIONS ARE IN MILLIMETERS		
REFERENCE		
DRAWING NAME TAXI ASM CONN IF M/P Z80		
DRAWING NUMBER 12089917		
SIZE	SCALE	FRAME NO
A0	2:1	1 OF 1
SHEET NO	SHEET REV	N/P
1 OF 1	R	01

R 0.2 MAX SHARP CORNER TOLERANCE	R 0.1 MAX	DIMENSIONAL RANGE (MM)		CHART ET
		FROM	TO	
		0	20	30
		20	30	70
		30	70	100
		70	100	150
		100	150	200
		150	200	250
		200	250	300
		250	300	400
		TOLERANCE UNLESS OTHERWISE SPECIFIED		
		±0.15	±0.2	±0.3
		±0.4	±0.5	±0.6
		±0.8	±1	±1.2
		ANGULAR TOLERANCE ±2°		

## X-ON Electronics

Largest Supplier of Electrical and Electronic Components

*Click to view similar products for [Automotive Connectors](#) category:*

*Click to view products by [APTIV](#) manufacturer:*

Other Similar products are found below :

[003-018-000](#) [60403001](#) [60993906-B](#) [629515004020001](#) [M902-2131](#) [M902-2161](#) [72.330.1035.1](#) [73.353.4028.0](#) [F119300-B](#) [F166900](#)  
[F258300-B](#) [F358300-B](#) [F407400](#) [F444110](#) [F487000](#) [F509500B-B](#) [827153-1](#) [8N1515-32-24P](#) [9-1326729-8](#) [925474-1](#) [928905-1](#) [964562-4](#)  
[968782-1](#) [GT17SA-8DS-HU](#) [98891-1012](#) [98947-1016](#) [12004475-L](#) [12010290](#) [12010309-B](#) [12015454](#) [12020219-B](#) [12020308](#) [12041318-B](#)  
[12052225-L](#) [12052466](#) [12059125](#) [12064869](#) [12004327-B](#) [12010503-B](#) [12015308](#) [12015384](#) [12015909](#) [1-21030-1](#) [12041254](#) [12041318](#)  
[12047946-B](#) [12047957](#) [12047957-L](#) [12059473](#) [12066261](#)