
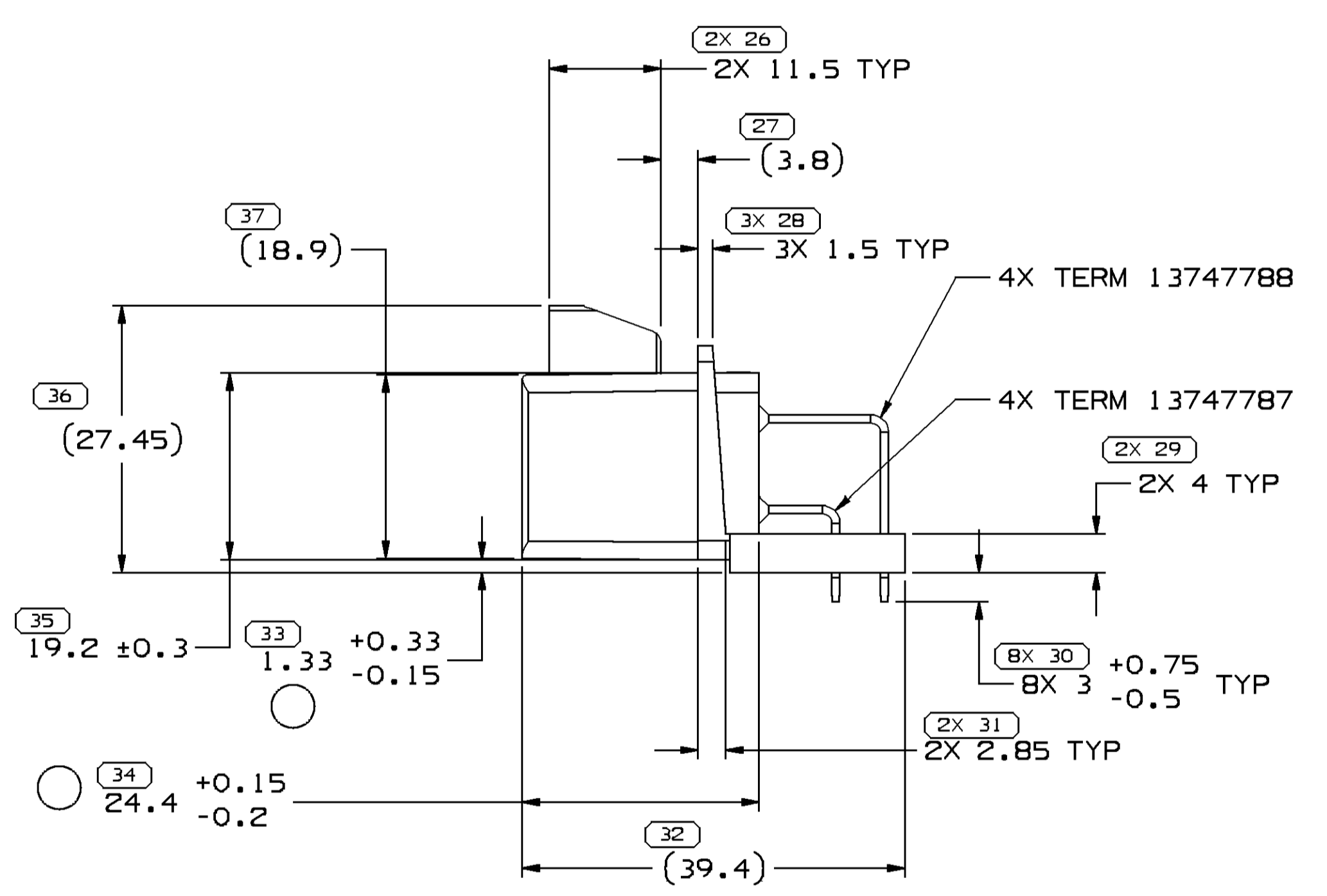
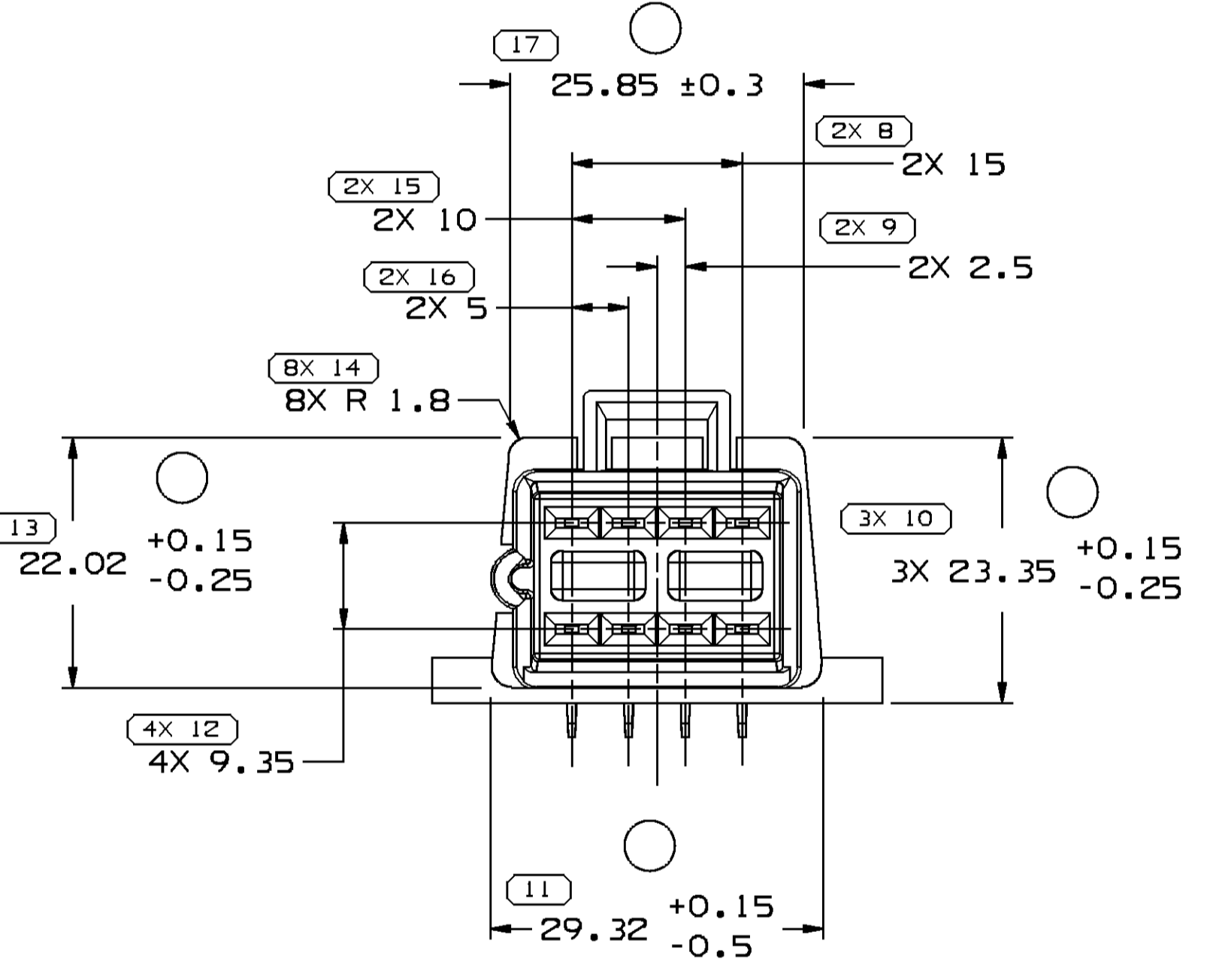
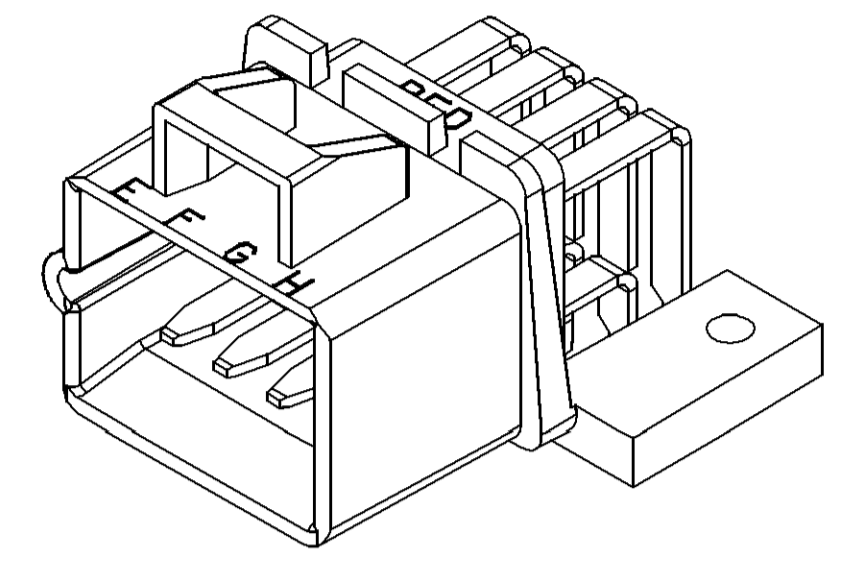
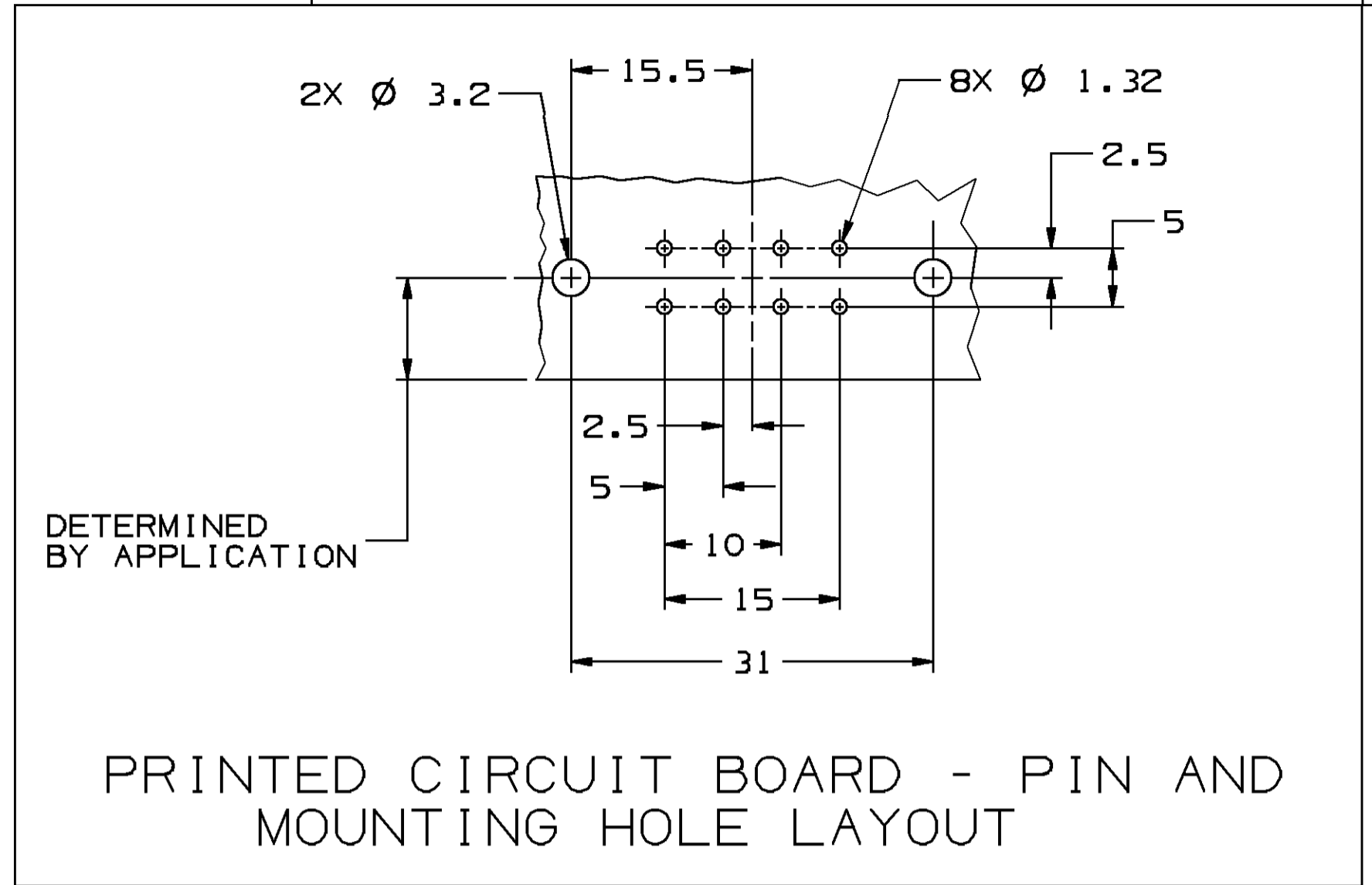
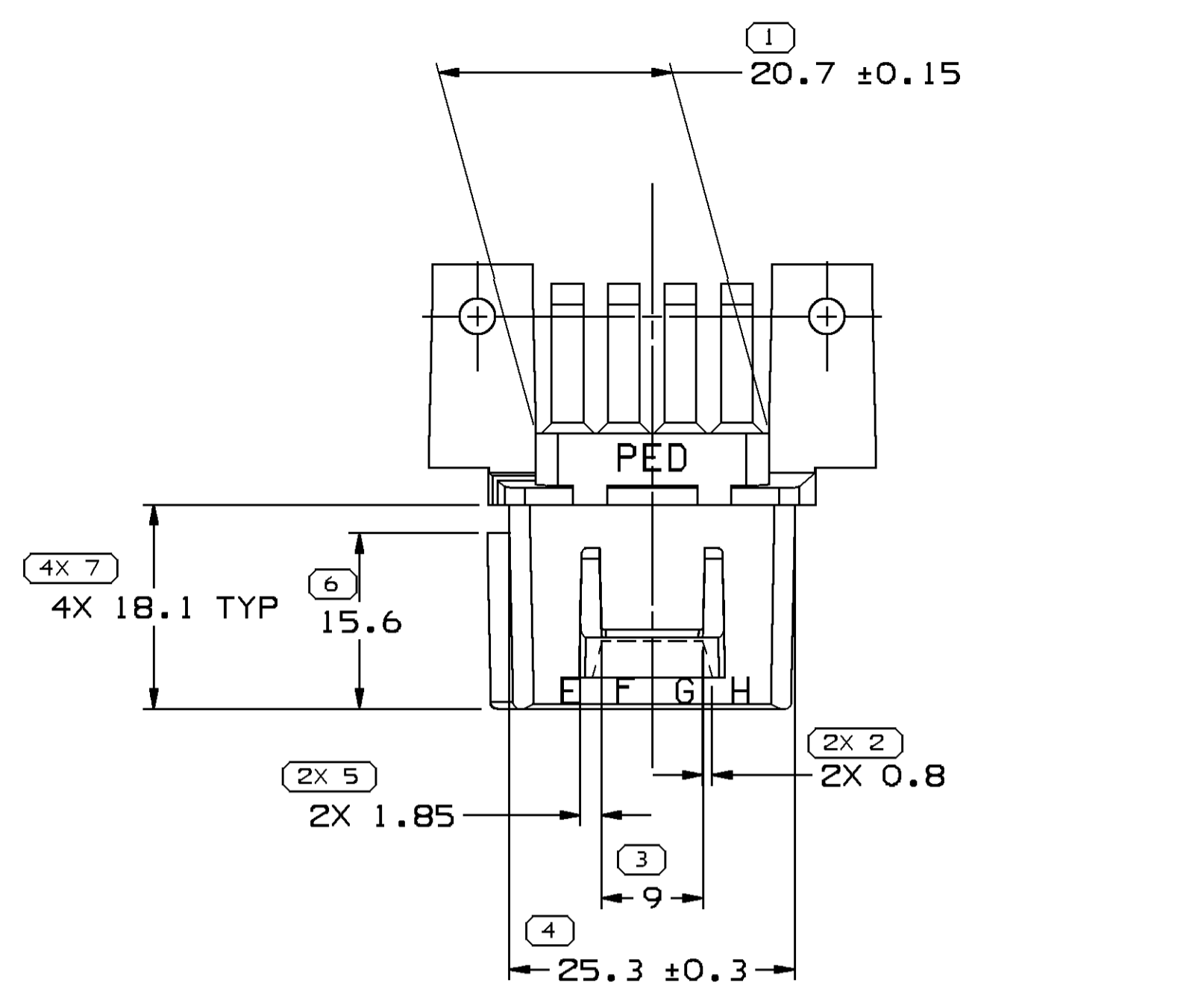


SYMBOL DEFINITION		MISSING SYMBOLS	
A DIMENSION WITHOUT AN INSPECTION REPORT SYMBOL  DOES NOT REQUIRE INSPECTION. IT MAY BE CONTROLLED ON THE INDIVIDUAL COMPONENT DRAWING.		TOTAL NO OF INSPECTIONS REQUIRED	79
		LAST NO. USED	37

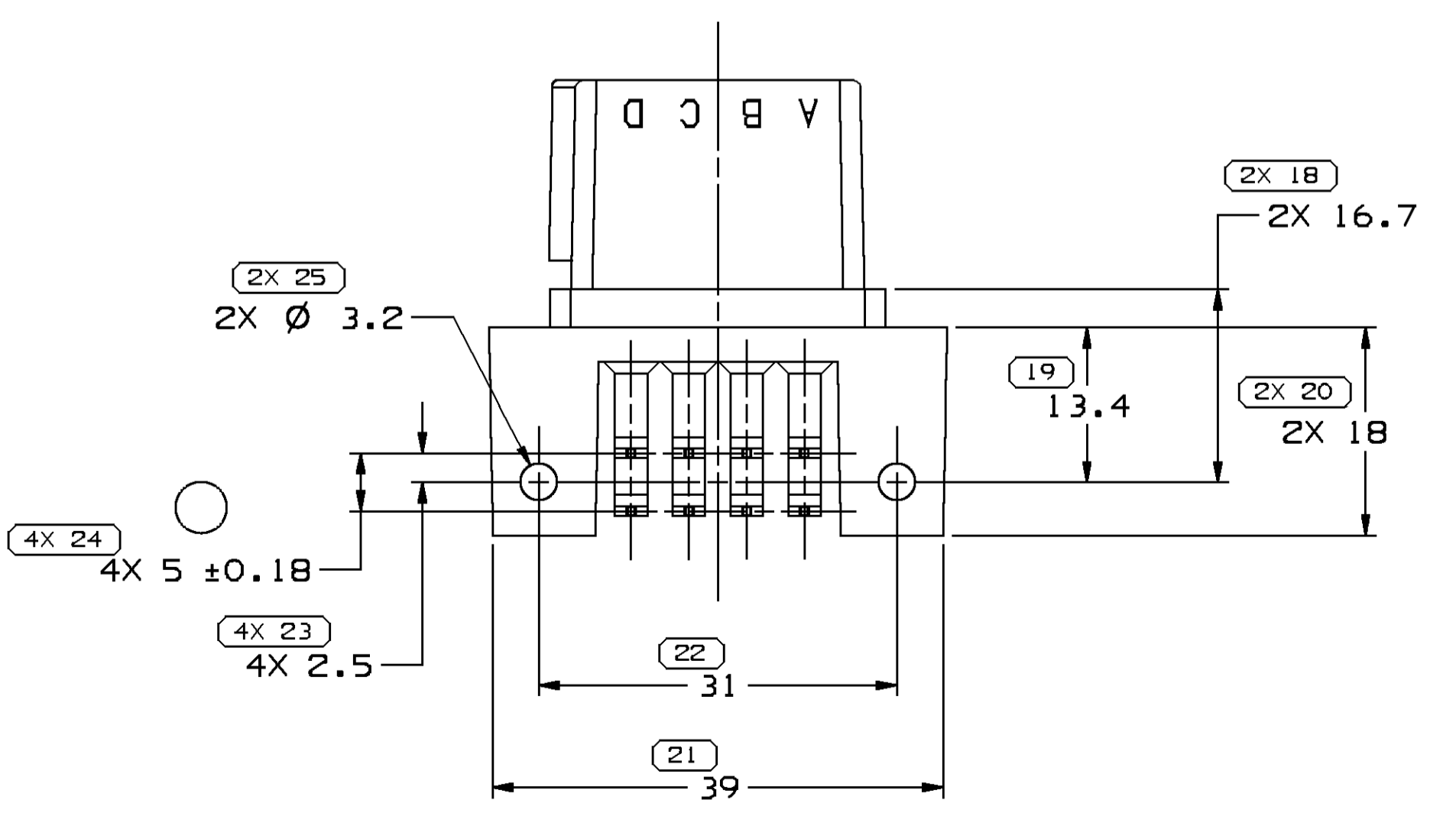
DWG STATUS				ZONE	REVISION HISTORY			AUTH	DR	APVD1	APVD2
DATE	STG	REV	N/P		CHG						
27MR09	R	C3	-	-	CLEARED REV COL., REMOVED TERMINAL INFORMATION AND REDRAWN TO PD			407118	DMC	FRG	MMC
29OC09	R	C4	-	-	DIM 25.85 +/-0.3 WAS 25.85 +/-0.15, DIM 22.02 +/-0.15/-0.25 WAS 22.02 +/-0.15, DIM 23.35 +/-0.25 WAS 23.35 +/-0.15, DIM 29.32 +/-0.5 WAS 29.32 +/-0.15, DIM 1.33 +/-0.5 WAS 1.33, DIM 24.4 +/-0.15/-0.20 WAS 24.4 AND DIM 5 +/-0.18 WAS 5			409334	MMC	APR	MMC
12JL12	R	C5	-	-	UPDATED M-SPEC			418789	JFF	JRV	JRV



NOTES

- UNLESS OTHERWISE SPECIFIED AND/OR INDICATED:
DIMENSIONS ARE TO FACE OF VIEW SHOWN AND AUTOMATICALLY ROUNDED BY COMPUTER FOR INSPECTION (SEE MATH MODEL FOR PRECISE DIMENSIONS). FOR ALL OTHER DIMENSIONS NOT SHOWN BUT REQUIRED FOR TOOL BUILD, SEE MATH MODEL FOR PRECISE TOOL PATH DATA.
- MATERIAL RECYCLING CODE PER ISO 11469. (2.3)X(0.1) CHARACTERS AS SHOWN TO BE LOCATED ON ANY EXTERIOR SURFACE. OPTIONAL CONSTRUCTION TO BE NO MATERIAL RECYCLING CODE.
- THIS PRODUCT IS NOT CATEGORIZED AS AN APPEARANCE ITEM, MINOR IMPERFECTIONS INCLUDING, BUT NOT LIMITED TO, FLOW MARKS, COLOR BLEMISHES, GATE VESTIGE, AND SOFT FLASH THAT DO NOT AFFECT THE FIT, FORM, OR FUNCTION OF THE PART ARE PERMISSIBLE PER DPNP-4.7-CS-01.
- THIS CONNECTOR TO BE USED ON FISHER GUIDE SEAT POWER MODULE 16604821 OR EQUIVALENT.
- (2.3)X(0.1) DELPHI CORPORATE BRAND TO BE LOCATED ON ANY EXTERIOR SURFACE, PREFERABLY VISIBLE AT FINAL ASSEMBLY. OPTIONAL CONSTRUCTION FOR EXISTING TOOLING MAY BE "PED" OR NO LOGO.
- REFERENCE MATING COMPONENTS OR EQUIVALENT:

CONNECTOR 12064998



INDICATES THAT PHYSICAL PARTS ARE NOT AVAILABLE FOR ORDERING.	
PART NUMBERS THAT DO NOT HAVE A LINE PRESENT INDICATE THAT PHYSICAL PARTS ARE AVAILABLE FOR ORDERING.	
CONTACT DELPHI SALES TO ASSURE AVAILABILITY OF PARTS.	
DWG TYPE: PART DRAWING	
STYLE: [Symbol]	
VOLUME (CPI): 6,949	DISTR CODE: D
UNLESS OTHERWISE SPECIFIED THIS DOCUMENT IS IN ACCORDANCE WITH ASME Y14.5M-1994 AS AMENDED BY THE GM GLOBAL DIMENSIONING AND TOLERANCING ADDENDUM-2001. SEPARATE PATTERNS OF FEATURES MAY BE GAGED SEPARATELY REGARDLESS OF DATUM REFERENCES.	
ALL DIMENSIONS ARE IN MILLIMETERS	
REFERENCE: [Symbol]	
THIRD ANGLE PROJECTION: [Symbol]	DO NOT SCALE: [Symbol]
USE MATH DATA: [Symbol]	

DELPHI
 DELPHI CORPORATION
 TROY, MI 48098
 COPYRIGHT 1988 DELPHI CORPORATION AND/OR ITS AFFILIATES. ALL RIGHTS RESERVED.
 REVISED 2012
 THIS DRAWING IS THE PROPERTY OF DELPHI CORPORATION. THE REPRODUCTION, DISTRIBUTION AND UTILIZATION OF THIS DOCUMENT OR ITS RELATED CAD MATH DATA, AS WELL AS COMMUNICATION OF ANY CONTENT TO OTHERS, WITHOUT EXPRESS AUTHORIZATION IS PROHIBITED.

DR	DATE
APVD1 DAVE PRESTOPINE	19SE88
APVD2 J. COLDSNOW	14NO88
APVD3 R.H. PARKHURST	18NO88
APVD4	
APVD5	

SUBSTANCES OF CONCERN AND RECYCLED CONTENT PER DELPHI 10949001

MATERIAL: THERMOPLASTIC MOLDING COMPOUND

DRAWING NAME: CONN 0 M M/P 280 HEADER BASE B

DRAWING NUMBER: 12092093

SIZE: A1	SCALE: 2:1	FRAME NO: 1 OF 1	SHEET NO: 1 OF 1	STG: R	REV: C5	N/P: -
----------	------------	------------------	------------------	--------	---------	--------

DIMENSIONAL RANGE (MM)		CHART E1
FROM	> 0	> 30
TO	> 20	> 70
	> 30	> 100
	> 70	> 150
	> 100	> 200
	> 150	> 250
	> 200	> 300
	> 250	> 300
	> 300	> 400
TOLERANCE UNLESS OTHERWISE SPECIFIED		
	±0.15	±0.2
	±0.3	±0.4
	±0.5	±0.6
	±0.8	±1
	±1	±1.2
ANGULAR TOLERANCE ±2°		

X-ON Electronics

Largest Supplier of Electrical and Electronic Components

Click to view similar products for [Automotive Connectors](#) category:

Click to view products by [APTIV](#) manufacturer:

Other Similar products are found below :

[003-018-000](#) [60403001](#) [60993906-B](#) [629515004020001](#) [M902-2131](#) [M902-2161](#) [72.330.1035.1](#) [73.353.4028.0](#) [F119300-B](#) [F166900](#)
[F258300-B](#) [F358300-B](#) [F407400](#) [F444110](#) [F487000](#) [F509500B-B](#) [827153-1](#) [8N1515-32-24P](#) [9-1326729-8](#) [925474-1](#) [928905-1](#) [964562-4](#)
[968782-1](#) [GT17SA-8DS-HU](#) [98891-1012](#) [98947-1016](#) [12004475-L](#) [12010290](#) [12010309-B](#) [12015454](#) [12020219-B](#) [12020308](#) [12041318-B](#)
[12052225-L](#) [12052466](#) [12059125](#) [12064869](#) [12004327-B](#) [12010503-B](#) [12015308](#) [12015384](#) [12015909](#) [1-21030-1](#) [12041254](#) [12041318](#)
[12047946-B](#) [12047957](#) [12047957-L](#) [12059473](#) [12066261](#)