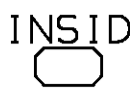
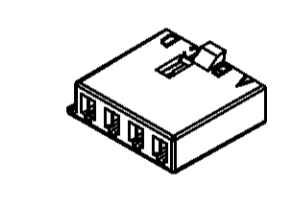
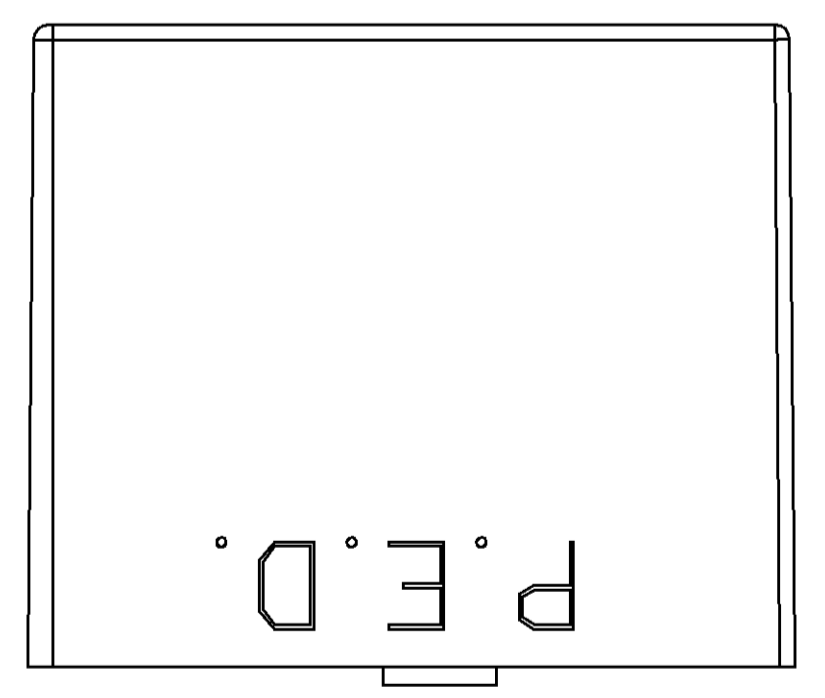
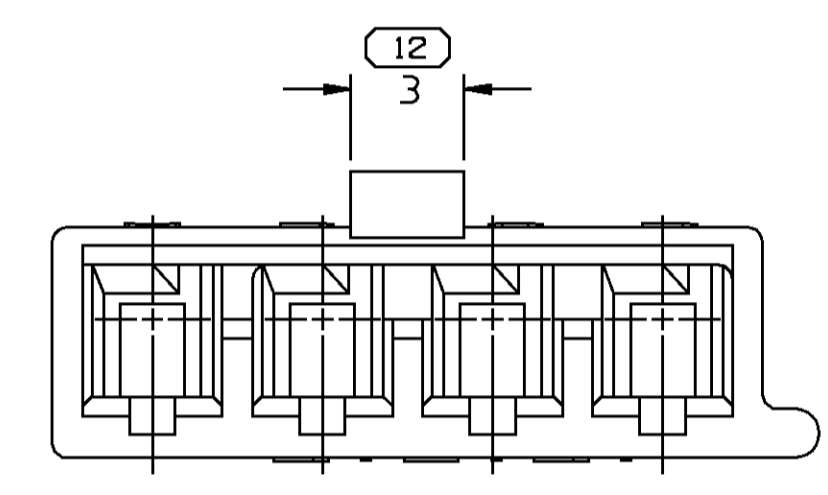
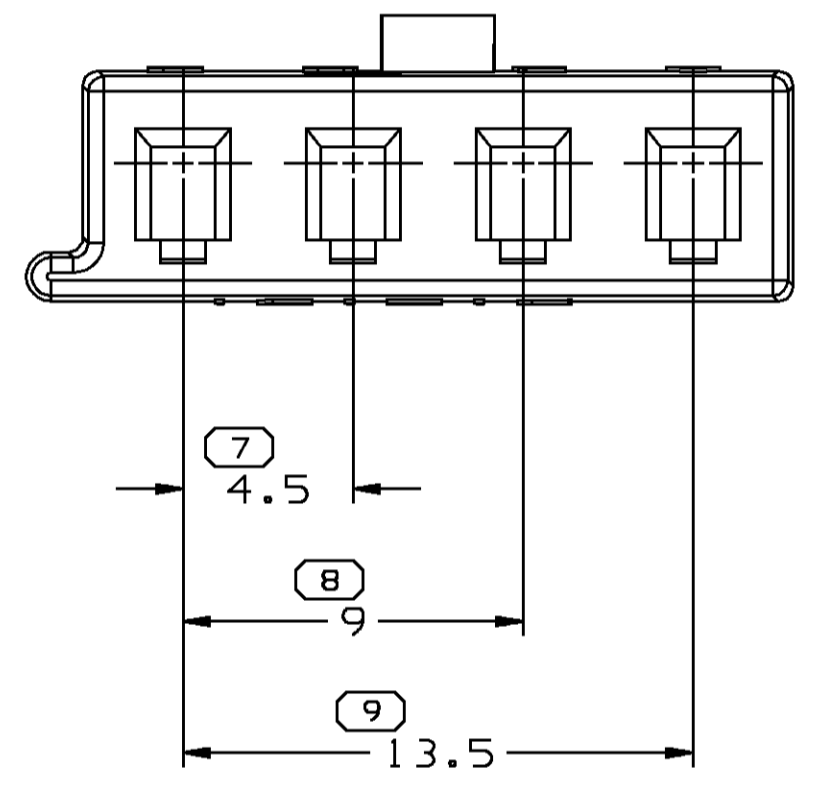
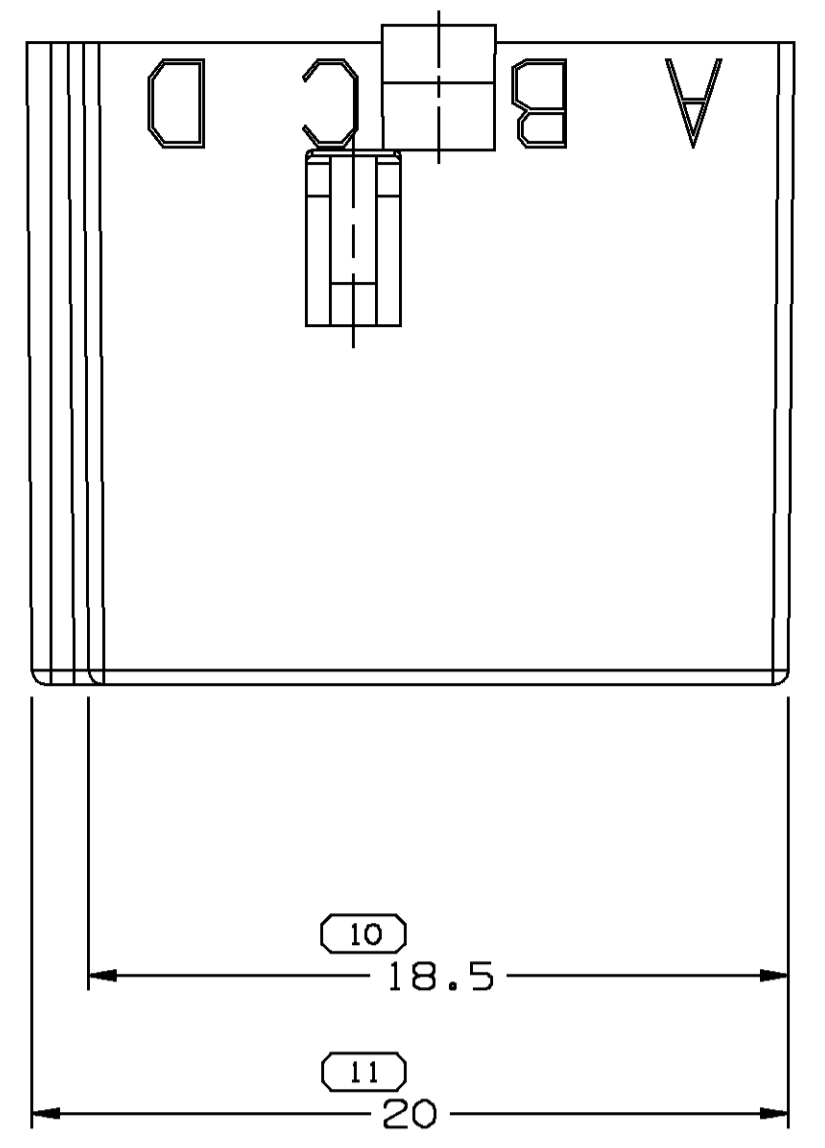
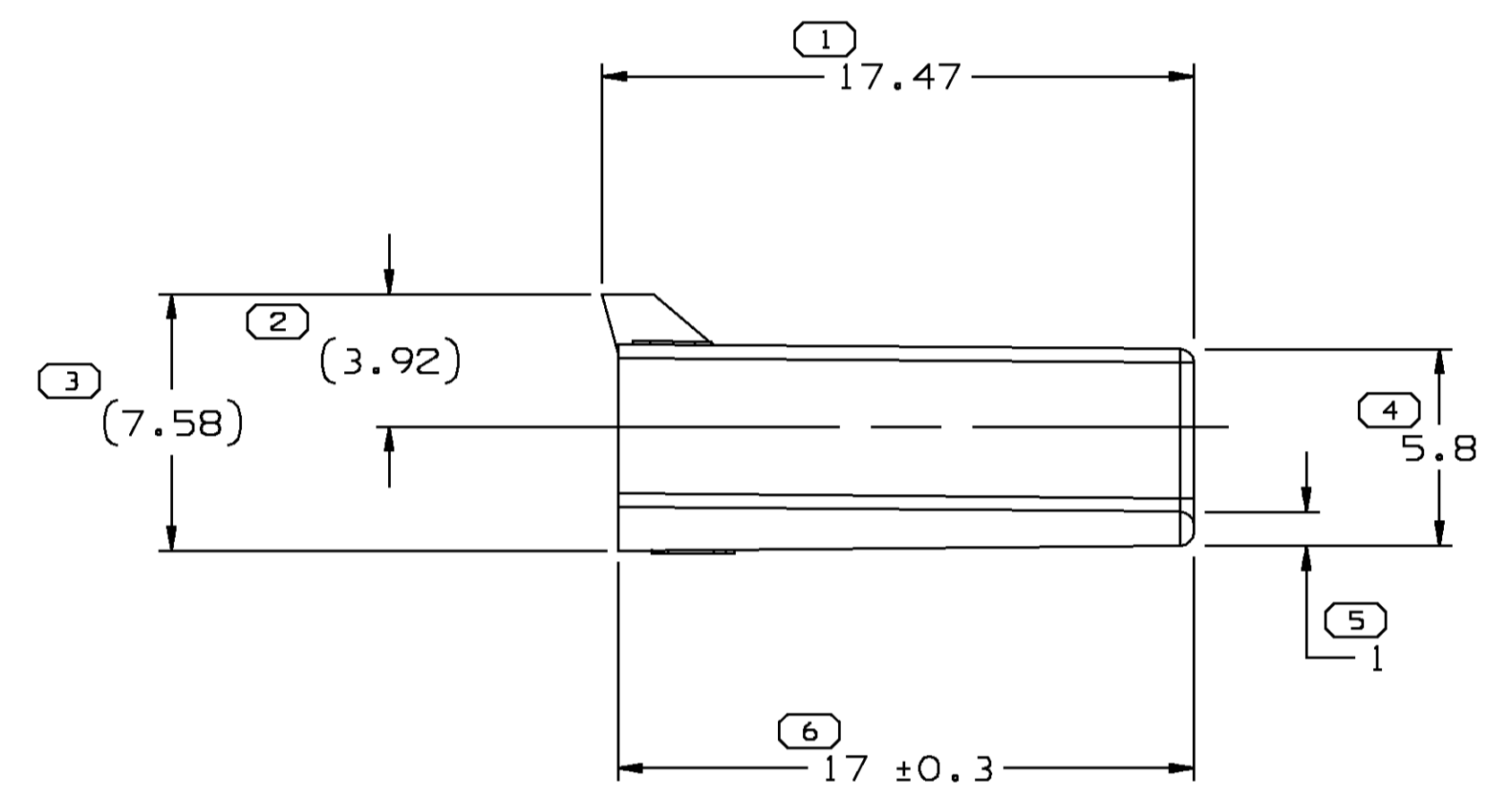


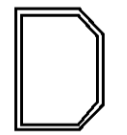

| SYMBOL DEFINITION   |                                 | MISSING NUMBERS |  |
|---|---------------------------------|-----------------|--|
| THE NUMBER INSIDE THE SYMBOL  CORRESPONDS TO THE NUMBER ON THE INSPECTION REPORT FOR THIS DRAWING/PART NUMBER | TOTAL NO. OF SYMBOLS ON DRAWING | 12              |  |
|   | LAST NO. USED                   | 12              |  |

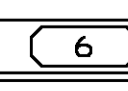
| DWG STATUS |     |     |     | ZONE | REVISION HISTORY |               |  | AUTH | DR     | CK  | APVD |    |
|------------|-----|-----|-----|------|------------------|---------------|--|------|--------|-----|------|----|
| DATE       | STG | REV | CHG | N/P  |                  |               |  |      |        |     |      |    |
| 19FE99     | R   | E4  | -   | -    |                  | REDRAWN TO PD |  |      | 191576 | GEG | GMC  | JR |



NOTES

- UNLESS OTHERWISE SPECIFIED AND/OR INDICATED: DIMENSIONS ARE TO FACE OF VIEW SHOWN AND AUTOMATICALLY ROUNDED BY COMPUTER FOR INSPECTION. (SEE MATH MODEL FOR PRECISE DIMENSIONS.) FOR ALL OTHER DIMENSIONS NOT SHOWN BUT REQUIRED FOR TOOL BUILD, SEE MATH MODEL FOR PRECISE TOOL PATH DATA.
- MATING COMPONENTS OR EQUIVALENT: CONNECTOR 12092163
- THIS PART ACCEPTS THE FOLLOWING COMPONENTS OR EQUIVALENT: TERMINAL 12064971  
SECONDARY TERMINAL LOCK 12092164

| <b>DELPHI</b><br>Automotive Systems   |                    |  |   |                        |  |  |      |         |      |     |      |      |      |   |    |    |    |     |                                      |  |  |  |  |                                   |  |  |  |  |                        |  |  |  |  |
|---|--------------------|--|---|------------------------|--|--|------|---------|------|-----|------|------|------|---|----|----|----|-----|--------------------------------------|--|--|--|--|-----------------------------------|--|--|--|--|------------------------|--|--|--|--|
| MATERIAL SPEC<br>R0071754 PA66 HS IM - BLK  |                    | <table border="1"> <thead> <tr> <th colspan="4">DIMENSIONAL RANGE (MM)</th> <th>CHART E</th> </tr> <tr> <th>FROM</th> <th>TO</th> <th>&gt; 20</th> <th>&gt; 30</th> <th>&gt; 70</th> </tr> </thead> <tbody> <tr> <td>0</td> <td>20</td> <td>30</td> <td>70</td> <td>100</td> </tr> <tr> <td colspan="5">TOLERANCE UNLESS OTHERWISE SPECIFIED</td> </tr> <tr> <td colspan="5">±0.15   ±0.2   ±0.3   ±0.4   ±0.5</td> </tr> <tr> <td colspan="5">ANGULAR TOLERANCE ± 2°</td> </tr> </tbody> </table> |   | DIMENSIONAL RANGE (MM) |  |  |      | CHART E | FROM | TO  | > 20 | > 30 | > 70 | 0 | 20 | 30 | 70 | 100 | TOLERANCE UNLESS OTHERWISE SPECIFIED |  |  |  |  | ±0.15   ±0.2   ±0.3   ±0.4   ±0.5 |  |  |  |  | ANGULAR TOLERANCE ± 2° |  |  |  |  |
| DIMENSIONAL RANGE (MM)  |                    |  |   | CHART E                |  |  |      |         |      |     |      |      |      |   |    |    |    |     |                                      |  |  |  |  |                                   |  |  |  |  |                        |  |  |  |  |
| FROM  | TO                 | > 20   | > 30  | > 70                   |  |  |      |         |      |     |      |      |      |   |    |    |    |     |                                      |  |  |  |  |                                   |  |  |  |  |                        |  |  |  |  |
| 0   | 20                 | 30   | 70  | 100                    |  |  |      |         |      |     |      |      |      |   |    |    |    |     |                                      |  |  |  |  |                                   |  |  |  |  |                        |  |  |  |  |
| TOLERANCE UNLESS OTHERWISE SPECIFIED  |                    |  |   |                        |  |  |      |         |      |     |      |      |      |   |    |    |    |     |                                      |  |  |  |  |                                   |  |  |  |  |                        |  |  |  |  |
| ±0.15   ±0.2   ±0.3   ±0.4   ±0.5   |                    |  |   |                        |  |  |      |         |      |     |      |      |      |   |    |    |    |     |                                      |  |  |  |  |                                   |  |  |  |  |                        |  |  |  |  |
| ANGULAR TOLERANCE ± 2°  |                    |  |   |                        |  |  |      |         |      |     |      |      |      |   |    |    |    |     |                                      |  |  |  |  |                                   |  |  |  |  |                        |  |  |  |  |
| PART DRAWING  |                    |  |   |                        |  |  |      |         |      |     |      |      |      |   |    |    |    |     |                                      |  |  |  |  |                                   |  |  |  |  |                        |  |  |  |  |
| CODE NUMBER<br>6900   | DWG DATE<br>120C8B | SCALE<br>5:1   |  |                        |  |  |      |         |      |     |      |      |      |   |    |    |    |     |                                      |  |  |  |  |                                   |  |  |  |  |                        |  |  |  |  |
| QC SPEC<br>-C-4362  | STYLE              | VOLUME cm <sup>3</sup><br>1.108  |   |                        |  |  |      |         |      |     |      |      |      |   |    |    |    |     |                                      |  |  |  |  |                                   |  |  |  |  |                        |  |  |  |  |
| PART GEOMETRY<br>3D SOLID   |                    | UNLESS OTHERWISE SPECIFIED:<br>PERFECT FORM REQUIRED FOR FEATURES OF SIZE AT MMC. TRUE POSITION TOLERANCES AND RELATED DATUMS APPLY AT CONDITION OF SIZE INDICATED IN FEATURE CONTROL FRAME. ALL OTHER GEOMETRIC TOLERANCES AND RELATED DATUMS APPLY RFS. SEPARATE TRUE POSITION CALLOUTS MAY BE GAGED SEPARATELY, REGARDLESS OF DATUM REFERENCE.  |   |                        |  |  |      |         |      |     |      |      |      |   |    |    |    |     |                                      |  |  |  |  |                                   |  |  |  |  |                        |  |  |  |  |
| COPY OF MATH DATA<br>DO NOT SCALE   |                    | REFERENCE<br>001,701   | DATE  |                        |  |  |      |         |      |     |      |      |      |   |    |    |    |     |                                      |  |  |  |  |                                   |  |  |  |  |                        |  |  |  |  |
|   |                    | DR   |   |                        |  |  |      |         |      |     |      |      |      |   |    |    |    |     |                                      |  |  |  |  |                                   |  |  |  |  |                        |  |  |  |  |
| METRIC<br>UNLESS OTHERWISE SPECIFIED, ALL DIMENSIONS ARE IN MILLIMETERS   |                    | APVD1 G.EFF REEVES   | 100C8B  |                        |  |  |      |         |      |     |      |      |      |   |    |    |    |     |                                      |  |  |  |  |                                   |  |  |  |  |                        |  |  |  |  |
|   |                    | APVD2 TOM NADASKY  | 01N08B  |                        |  |  |      |         |      |     |      |      |      |   |    |    |    |     |                                      |  |  |  |  |                                   |  |  |  |  |                        |  |  |  |  |
| THIRD ANGLE PROJECTION<br> |                    | APVD3 S. YANG  | 22FE89  |                        |  |  |      |         |      |     |      |      |      |   |    |    |    |     |                                      |  |  |  |  |                                   |  |  |  |  |                        |  |  |  |  |
|   |                    | APVD4 R. PLYLER  | 22FE89  |                        |  |  |      |         |      |     |      |      |      |   |    |    |    |     |                                      |  |  |  |  |                                   |  |  |  |  |                        |  |  |  |  |
|   |                    | APVD5  |   |                        |  |  |      |         |      |     |      |      |      |   |    |    |    |     |                                      |  |  |  |  |                                   |  |  |  |  |                        |  |  |  |  |
| DRAWING NAME<br>CONN 4F M/P 150   |                    |  |   |                        |  |  |      |         |      |     |      |      |      |   |    |    |    |     |                                      |  |  |  |  |                                   |  |  |  |  |                        |  |  |  |  |
| SHEET NUMBER<br>1 OF 1  |                    | DRAWING NUMBER<br>12092162   |   |                        |  |  |      |         |      |     |      |      |      |   |    |    |    |     |                                      |  |  |  |  |                                   |  |  |  |  |                        |  |  |  |  |
|   |                    | <table border="1"> <thead> <tr> <th colspan="3">DWG STATUS</th> <th>SIZE</th> </tr> <tr> <th>STG</th> <th>REV</th> <th>N/P</th> <th></th> </tr> </thead> <tbody> <tr> <td>R</td> <td>E4</td> <td>-</td> <td>A1</td> </tr> </tbody> </table>  |   | DWG STATUS             |  |  | SIZE | STG     | REV  | N/P |      | R    | E4   | - | A1 |    |    |     |                                      |  |  |  |  |                                   |  |  |  |  |                        |  |  |  |  |
| DWG STATUS  |                    |  | SIZE  |                        |  |  |      |         |      |     |      |      |      |   |    |    |    |     |                                      |  |  |  |  |                                   |  |  |  |  |                        |  |  |  |  |
| STG   | REV                | N/P  |   |                        |  |  |      |         |      |     |      |      |      |   |    |    |    |     |                                      |  |  |  |  |                                   |  |  |  |  |                        |  |  |  |  |
| R   | E4                 | -  | A1  |                        |  |  |      |         |      |     |      |      |      |   |    |    |    |     |                                      |  |  |  |  |                                   |  |  |  |  |                        |  |  |  |  |

 PROCESS SENSITIVE DIMENSION  
DIMENSIONS ENCLOSED IN ( ) INDICATE REFERENCE DIMENSIONS AND NO TOLERANCE LIMITS ARE ESTABLISHED

## X-ON Electronics

Largest Supplier of Electrical and Electronic Components

*Click to view similar products for [Automotive Connectors](#) category:*

*Click to view products by [APTIV](#) manufacturer:*

Other Similar products are found below :

[003-018-000](#) [60403001](#) [60993906-B](#) [629515004020001](#) [M902-2131](#) [M902-2161](#) [72.330.1035.1](#) [73.353.4028.0](#) [F119300-B](#) [F166900](#)  
[F258300-B](#) [F358300-B](#) [F407400](#) [F444110](#) [F487000](#) [F509500B-B](#) [827153-1](#) [8N1515-32-24P](#) [9-1326729-8](#) [925474-1](#) [928905-1](#) [964562-4](#)  
[968782-1](#) [GT17SA-8DS-HU](#) [98891-1012](#) [98947-1016](#) [12004475-L](#) [12010290](#) [12010309-B](#) [12015454](#) [12020219-B](#) [12020308](#) [12041318-B](#)  
[12052225-L](#) [12052466](#) [12059125](#) [12064869](#) [12004327-B](#) [12010503-B](#) [12015308](#) [12015384](#) [12015909](#) [1-21030-1](#) [12041254](#) [12041318](#)  
[12047946-B](#) [12047957](#) [12047957-L](#) [12059473](#) [12066261](#)