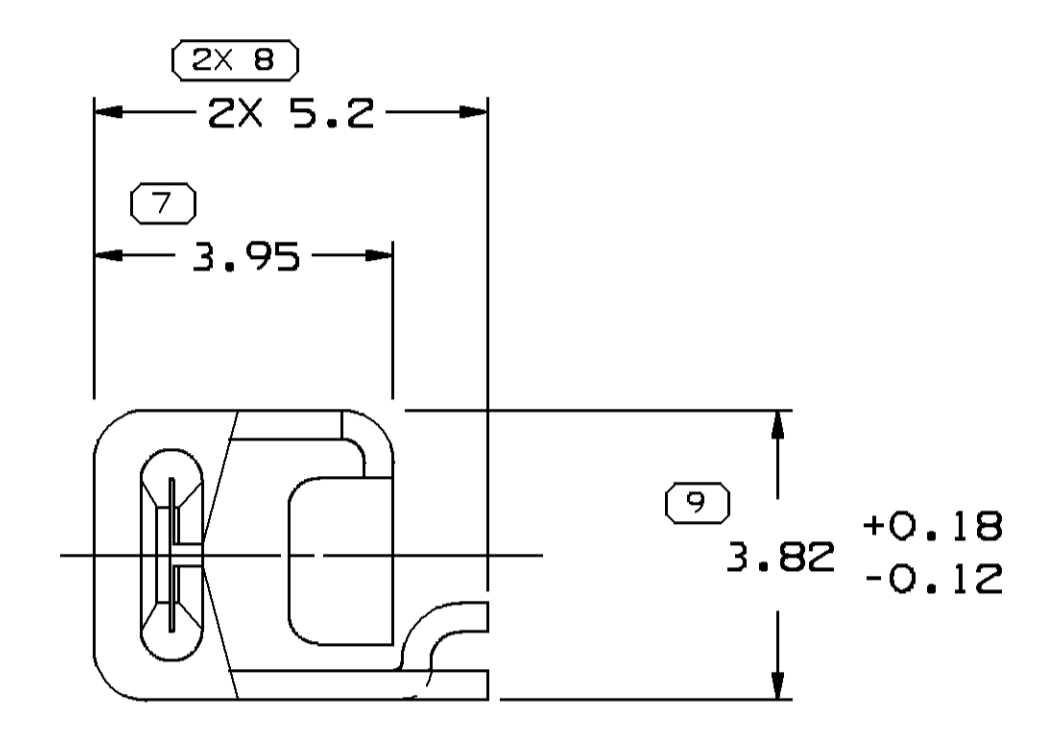
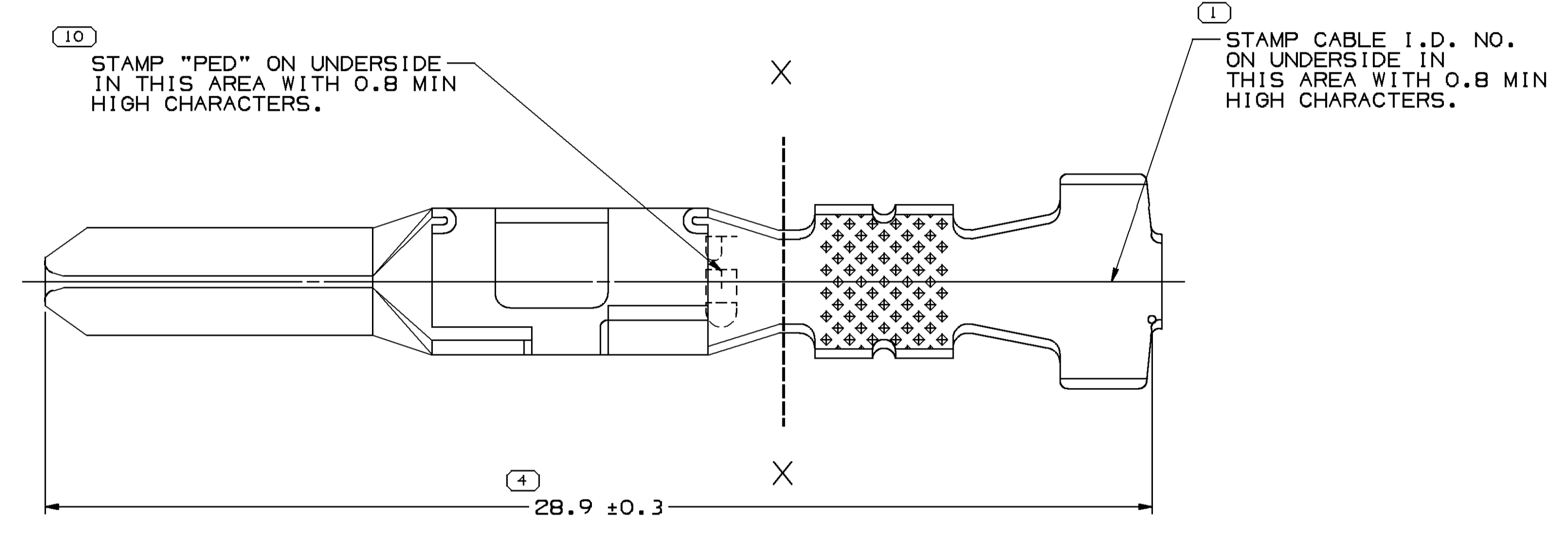


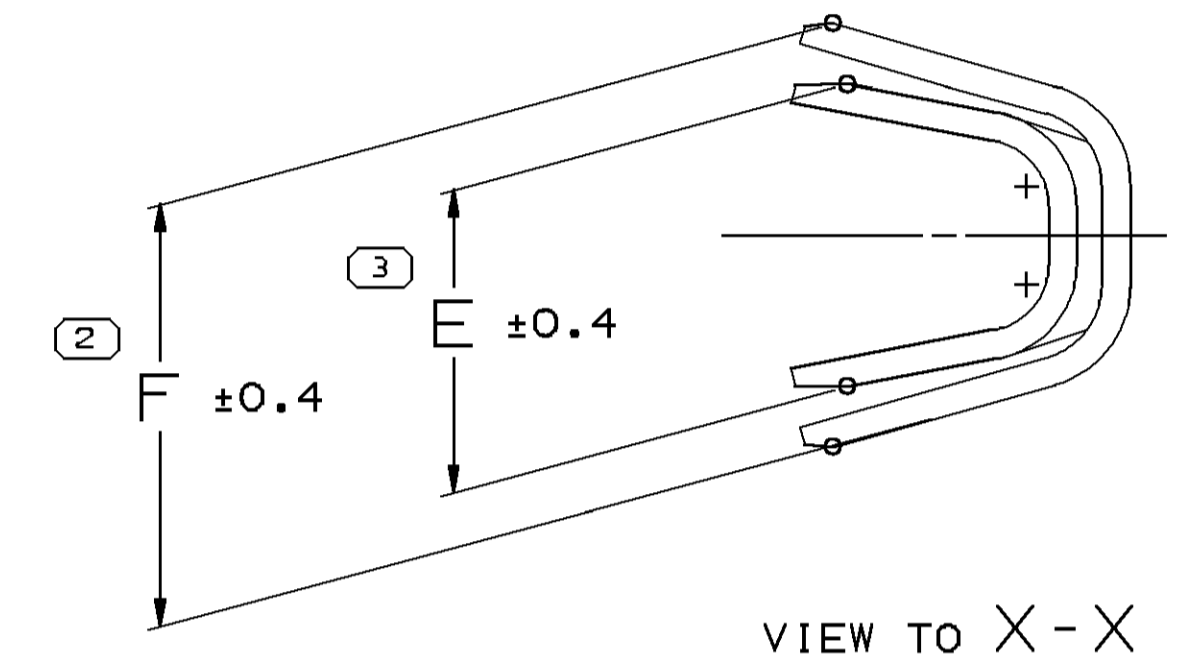
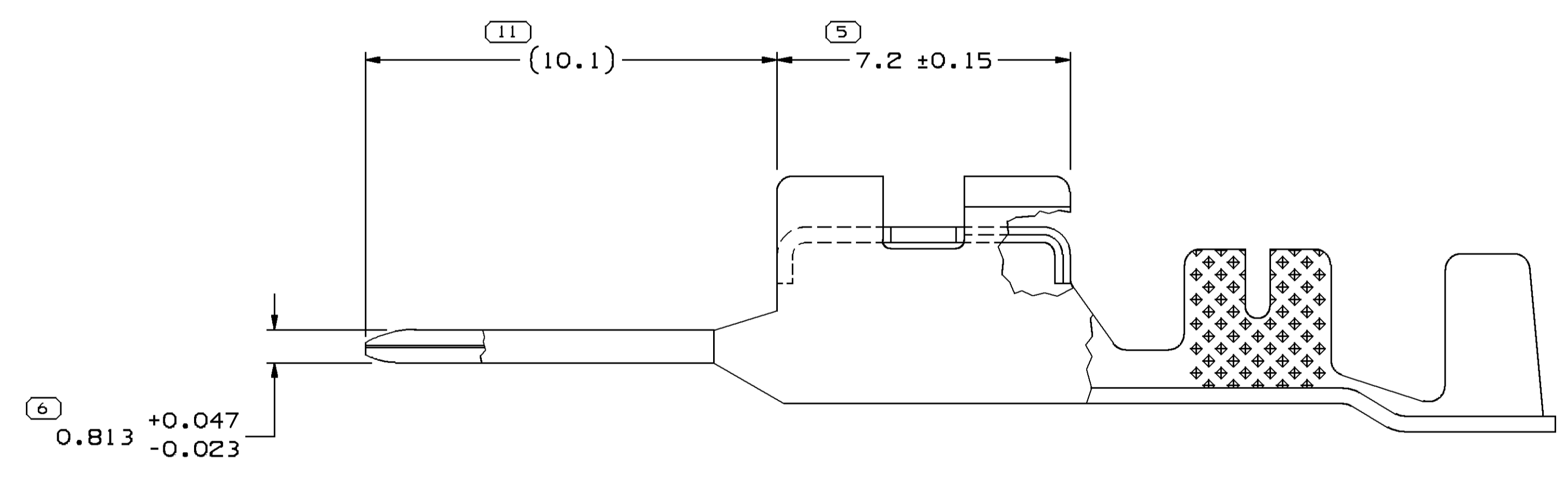
TYPE 102  
SAME AS TYPE 101  
EXCEPT AS SHOWN



VIEW TO X-X



TYPE 101



VIEW TO X-X

SYMBOL DEFINITION		MISSING SYMBOLS	
A DIMENSION WITHOUT AN INSPECTION REPORT SYMBOL DOES NOT REQUIRE INSPECTION. IT MAY BE CONTROLLED ON THE INDIVIDUAL COMPONENT DRAWING.	TOTAL NO OF INSPECTIONS REQUIRED	NO MISSING SYMBOL NUMBER	
	12		
	LAST NO. USED		
	11		

DWS STATUS					REVISION HISTORY			AUTH	DR	APVD	APVD
DATE	STG	REV	N/P	CHG	ZONE						
16JAN03	R	01	-	-		REDRAWN TO PD; ALL PARTS - UPDATED PDM ATTRIBUTES	241764	LOA	FKV	JMP	
14OCT03	R	02	-	-		12092347 - UPDATED PDM ATTRIBUTES	247376	AMG	AMS	JMP	
21OCT03	R	03	-	-		ALL PARTS - UPDATED ECL COLUMN OF CHART	247759	FKV	FKV	JMP	
10MR05	R	04	-	-		ALL PARTS - REVISED CARRIER DETAILS	265565	ECB	AUG	WTM	
04AUI10	R	05	-	-		ALL PARTS - MATERIAL SPEC WAS M3607465	411505	AHY	JVM	MMC	

NOTES

- UNLESS OTHERWISE SPECIFIED AND/OR INDICATED: DIMENSIONS ARE TO FACE OF VIEW SHOWN AND AUTOMATICALLY ROUNDED BY COMPUTER FOR INSPECTION (SEE MATH MODEL FOR PRECISE DIMENSIONS). FOR ALL OTHER DIMENSIONS NOT SHOWN BUT REQUIRED FOR TOOL BUILD, SEE MATH MODEL FOR PRECISE TOOL PATH DATA.
- MATING TERMINAL 12084995 OR EQUIVALENT.
- \* DENOTES DIMENSIONS MADE AT CUT-OFF AND CRIMP DIE.
- COIN ON INSULATION WING NOT REQUIRED WHEN MATERIAL THICKNESS IS 0.57 OR LESS.
- MAXIMUM CURRENT CAPACITY IS 25 AMPS.
- FOR SOLDERABILITY REQUIREMENTS SEE ESO-1503.

PART NO	REV	N/P	STATUS	MAT'L SPEC	MAT'L SIZE	SIZE (MM <sup>2</sup> )	CABLE DIA	ID	TYPE	E	F
12092349	C4	-	-	M3617465 METL NONFERROUS C42500 1/2 HD	0.381 X 36.12	TWO 0.35	1.69-1.47	222	102	2.7	5.2
12092348	C4	-	-	M3617465 METL NONFERROUS C42500 1/2 HD	0.381 X 36.12	TWO 0.5	2.19-1.69	220	102	3.5	5.8
12092347	C5	-	-	M3617465 METL NONFERROUS C42500 1/2 HD	0.381 X 36.12	TWO 1-0.5	2.42-1.96	217	101	4.2	6.7
12092346	C4	-	-	M3617465 METL NONFERROUS C42500 1/2 HD	0.381 X 36.12	0.5-0.35	2.19-1.47	21	102	2.4	3.8
12092345	C4	-	-	M3617465 METL NONFERROUS C42500 1/2 HD	0.381 X 36.12	1-0.8	2.64-1.96	17	102	2.8	4.4
12092344	C4	-	-	M3617465 METL NONFERROUS C42500 1/2 HD	0.381 X 36.12	3-2	3.65-2.5	13	101	4	5.6

6 PROCESS SENSITIVE DIMENSION	
DIMENSIONS ENCLOSED IN ( ) INDICATE REFERENCE DIMENSIONS AND NO TOLERANCE LIMITS ARE ESTABLISHED	CHART CD
FROM 0 TO 12	> 12
TOLERANCE UNLESS OTHERWISE SPECIFIED	USE MATH DATA
ANGULAR TOLERANCE ±0.2°	

PART DRAWING	
STYLE	
VOLUME (QTY)	DISTR CODE
UNLESS OTHERWISE SPECIFIED	
THIS DOCUMENT IS IN ACCORDANCE WITH ASME Y14.5M-1994 AS MODIFIED BY THE 2003 DIMENSIONING AND TOLERANCING HANDBOOK - 1997. ALL GEOMETRIC TOLERANCES AND RELATED DATUMS APPLY PER RULE #1 EXCEPT FOR AS MCI DOES NOT APPLY WHEN RELATIONSHIP BETWEEN FEATURES IS ESTABLISHED BY ORIENTATION OR LOCATION TOLERANCES. SEPARATE POSITION CALLOUTS MAY BE SAVED SEPARATELY, IRRESPECTIVE OF DATUM REFERENCE.	
REFERENCE	
THIRD ANGLE PROJECTION	DO NOT SCALE
USE MATH DATA	

**DELPHI**  
DELPHI PACKARD ELECTRICAL/ELECTRONIC ARCHITECTURE  
WARREN, OH

DR	DATE
APV01 T. NADASKY	01MRB9
APV02 R. J. BLASKO	31MRB9
APV03 R. PETROSKY	31MRB9
APV04	
APV05	

SUBSTANCES OF CONCERN AND RECYCLED CONTENT PER DELPHI 10949901

MATERIAL SEE CHART

DRAWING NAME  
TAXI TERM M ACT 280

DRAWING NUMBER  
**12092343**

SIZE	SCALE	FRAME NO	SHEET NO	STG	REV	N/P
A0	10:1	1	1	OF 1	R	05

## X-ON Electronics

Largest Supplier of Electrical and Electronic Components

*Click to view similar products for [Automotive Connectors](#) category:*

*Click to view products by [APTIV](#) manufacturer:*

Other Similar products are found below :

[003-018-000](#) [60403001](#) [60993906-B](#) [629515004020001](#) [M902-2131](#) [M902-2161](#) [72.330.1035.1](#) [73.353.4028.0](#) [F119300-B](#) [F166900](#)  
[F258300-B](#) [F358300-B](#) [F407400](#) [F444110](#) [F487000](#) [F509500B-B](#) [827153-1](#) [8N1515-32-24P](#) [9-1326729-8](#) [925474-1](#) [928905-1](#) [964562-4](#)  
[968782-1](#) [GT17SA-8DS-HU](#) [98891-1012](#) [98947-1016](#) [12004475-L](#) [12010290](#) [12010309-B](#) [12015454](#) [12020219-B](#) [12020308](#) [12041318-B](#)  
[12052225-L](#) [12052466](#) [12059125](#) [12064869](#) [12004327-B](#) [12010503-B](#) [12015308](#) [12015384](#) [12015909](#) [1-21030-1](#) [12041254](#) [12041318](#)  
[12047946-B](#) [12047957](#) [12047957-L](#) [12059473](#) [12066261](#)