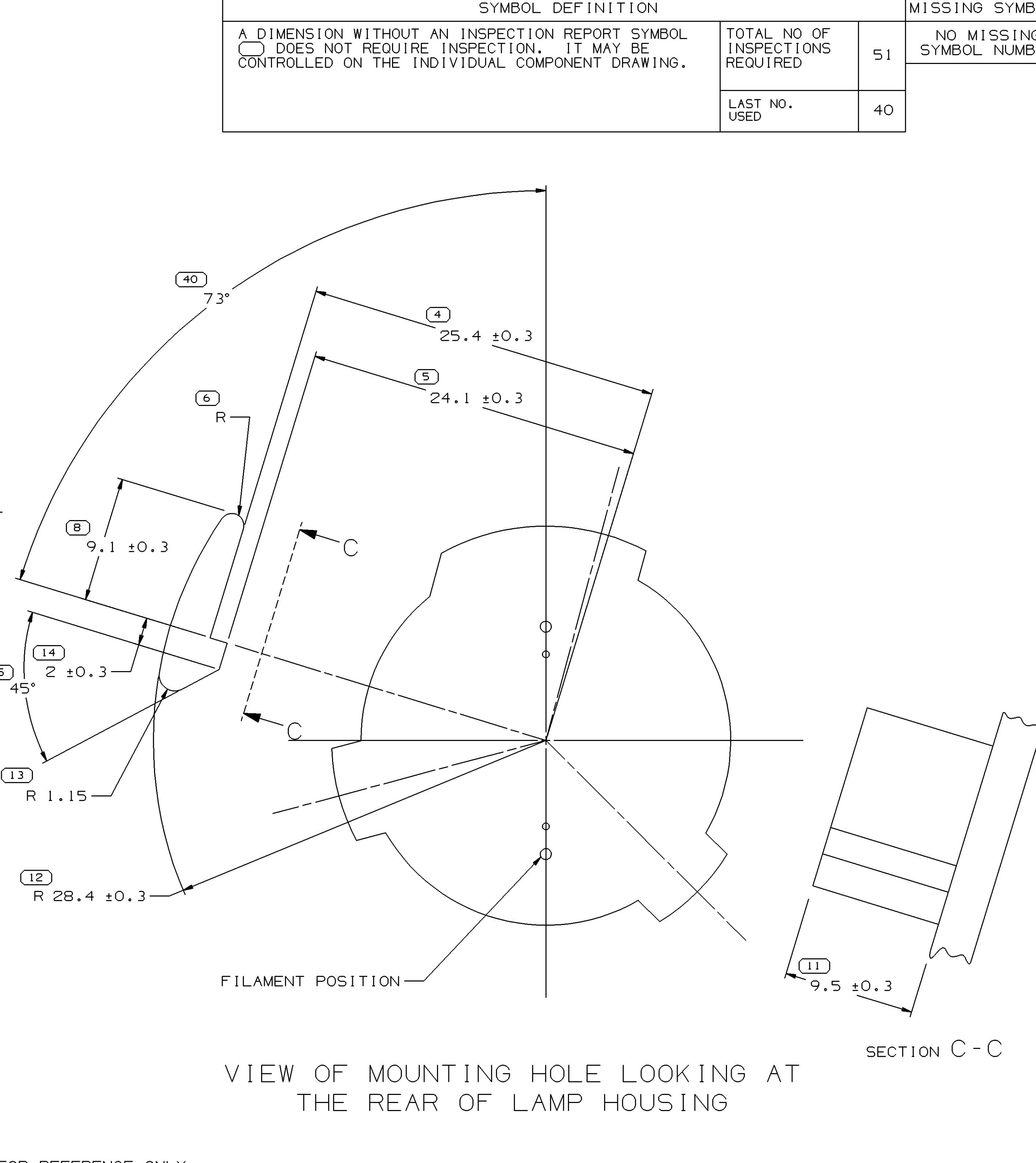
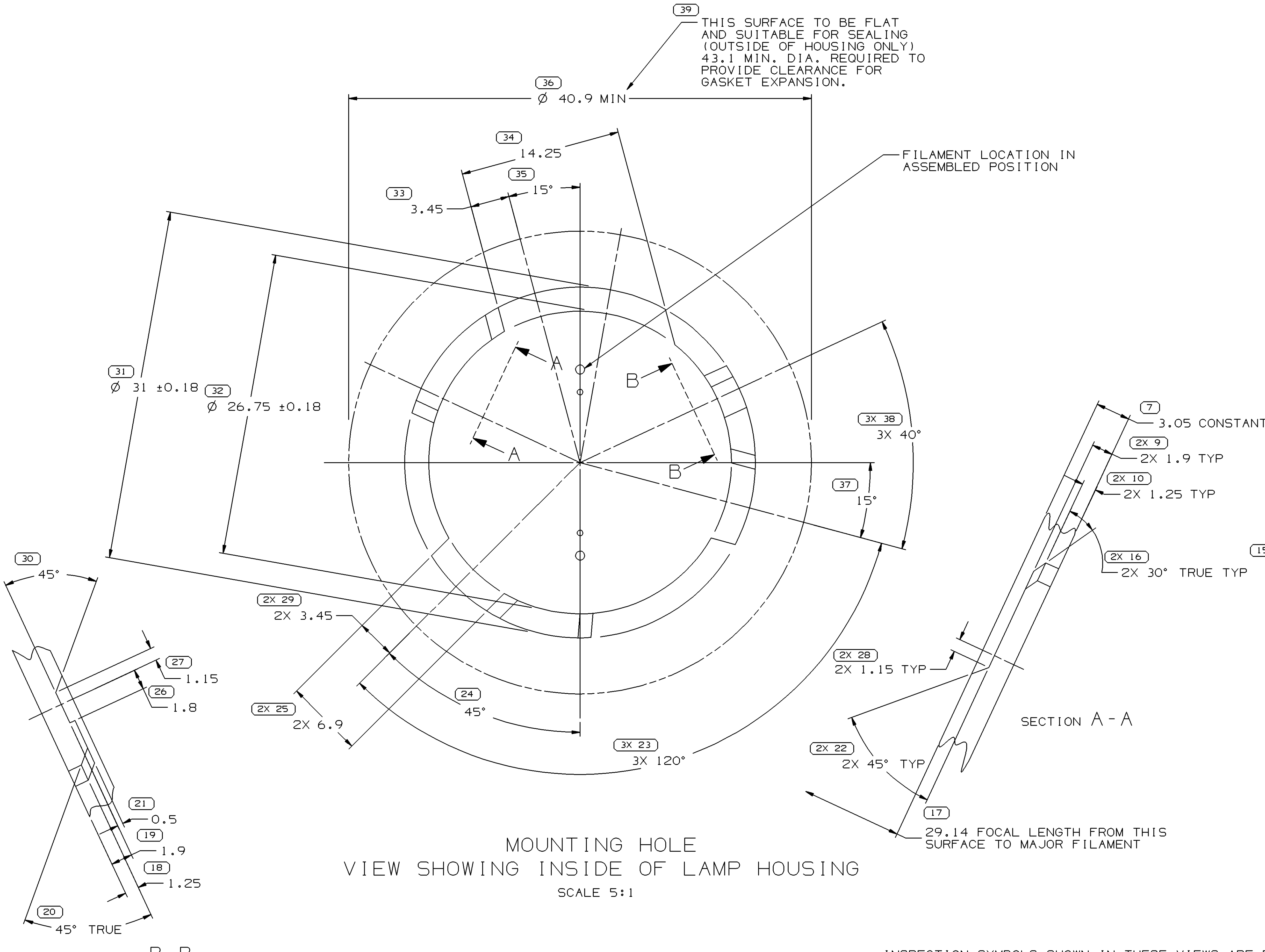
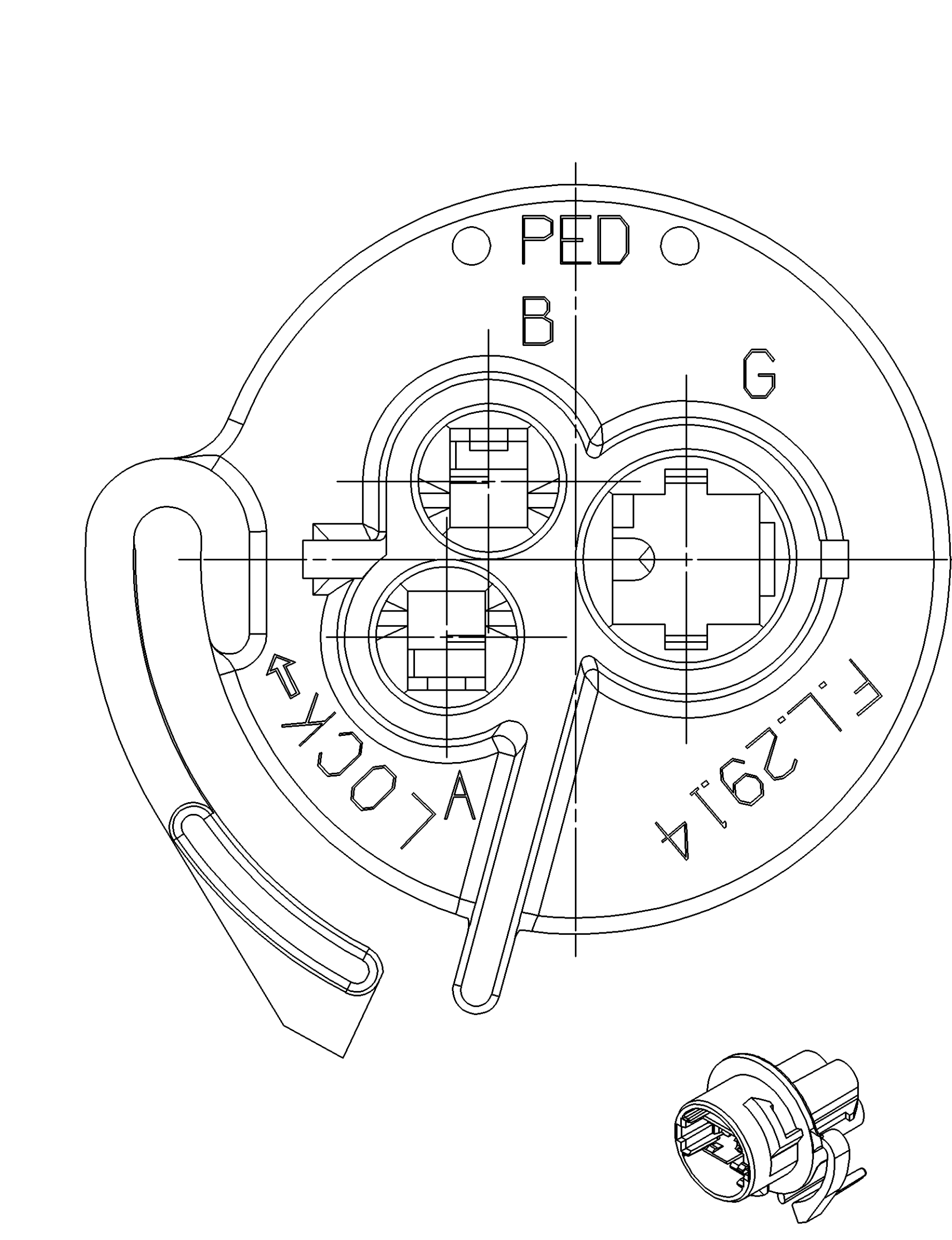
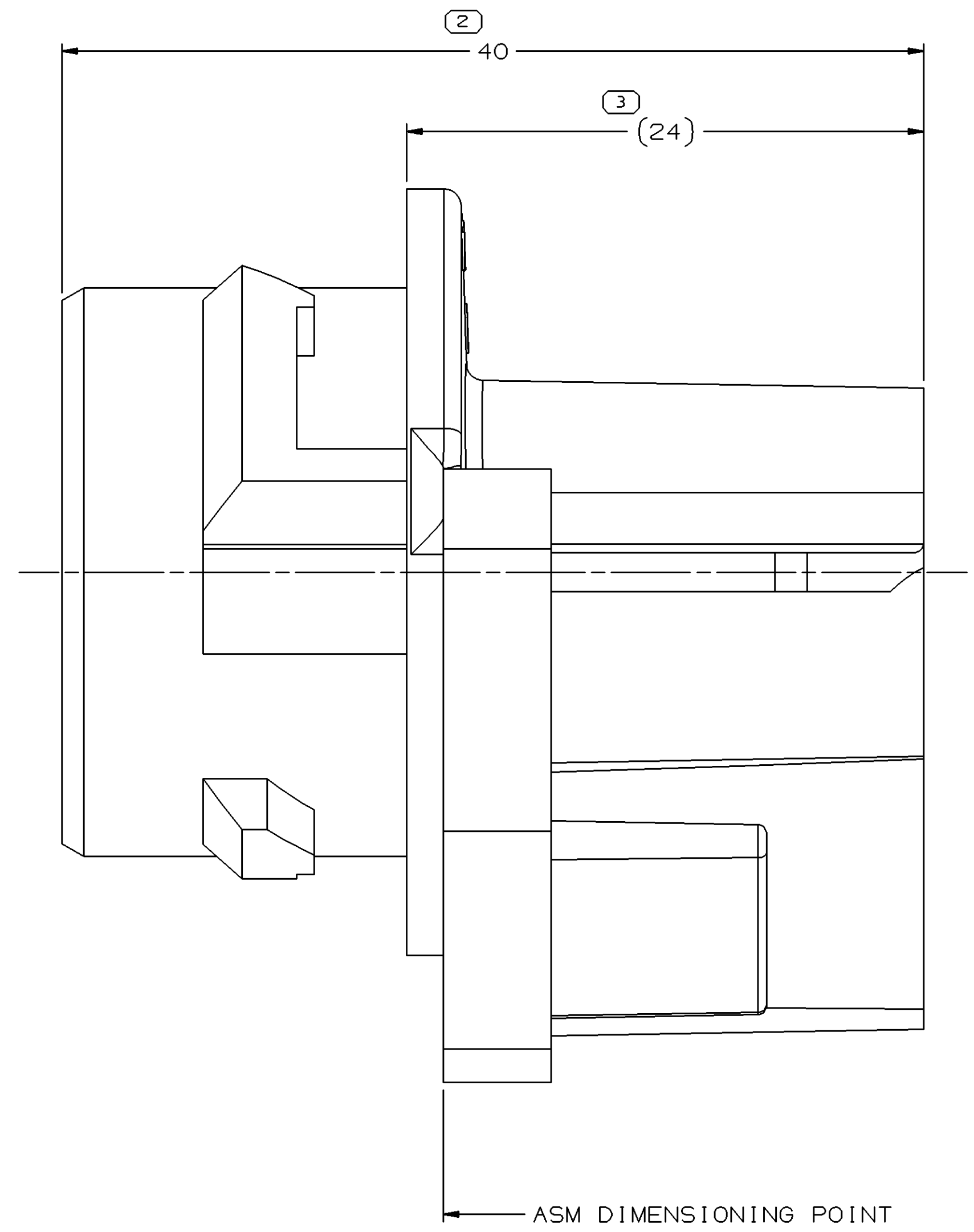
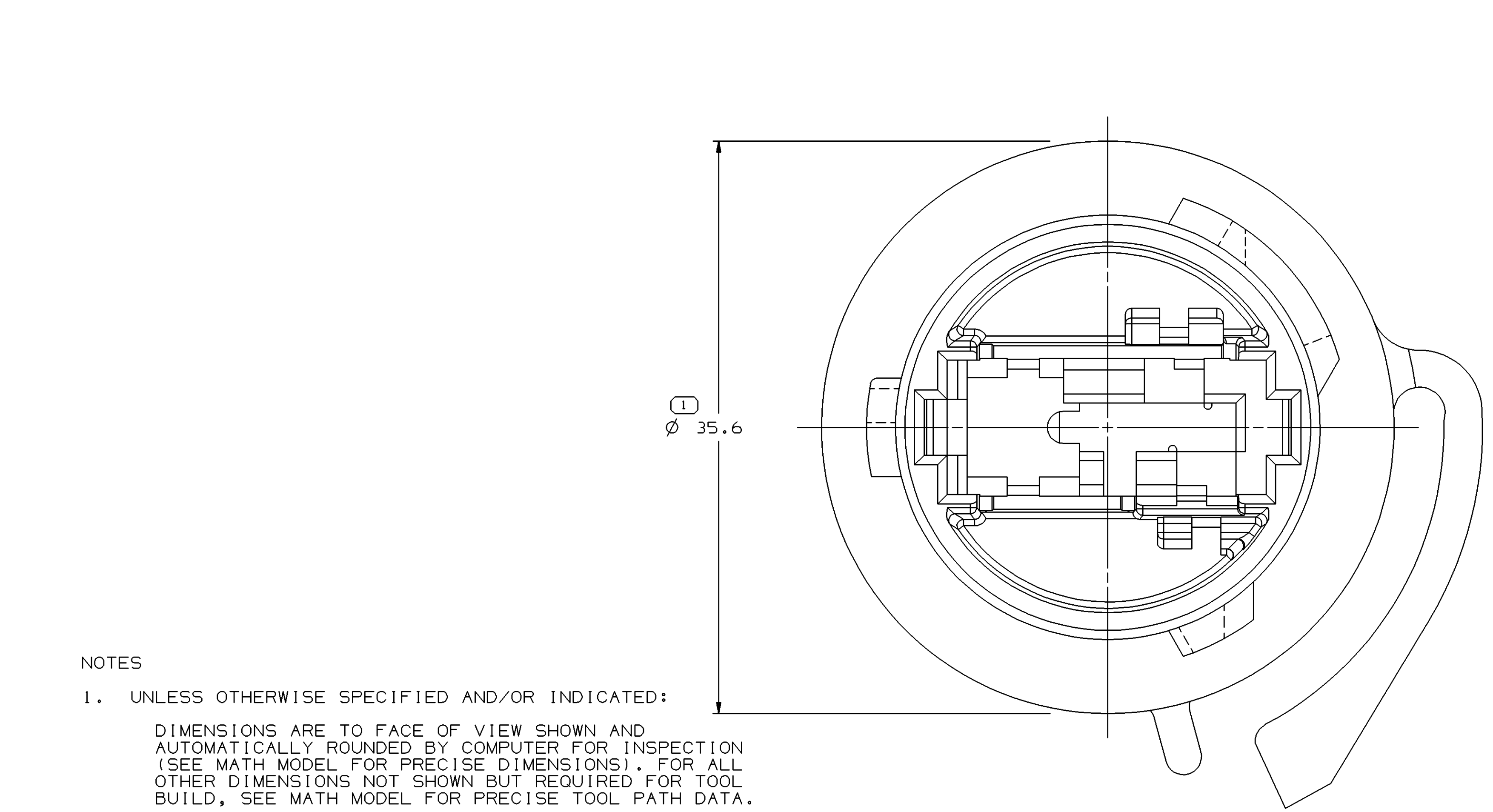


SYMBOL DEFINITION		MISSING SYMBOLS	
A DIMENSION WITHOUT AN INSPECTION REPORT SYMBOL DOES NOT REQUIRE INSPECTION. IT MAY BE CONTROLLED ON THE INDIVIDUAL COMPONENT DRAWING.	TOTAL NO OF INSPECTIONS REQUIRED	51	NO MISSING SYMBOL NUMBER
	LAST NO. USED	40	

DWO STATUS				REVISION HISTORY				AUTH				
DATE	STG	REV	N/P	CHK	ZONE	Cleared Rev Column, Redrawn to PD and Revised Mat'l Spec				DR	APVD	APVD
070002	R	03	-	-	-					231057	JFB	JAA
102MY05	R	04	-	-	-	REVISED GRAPHICS				267563	JFB	JAA



INSPECTION SYMBOLS SHOWN IN THESE VIEWS ARE FOR REFERENCE ONLY



- NOTES
- UNLESS OTHERWISE SPECIFIED AND/OR INDICATED: DIMENSIONS ARE TO FACE OF VIEW SHOWN AND AUTOMATICALLY ROUNDED BY COMPUTER FOR INSPECTION (SEE MATH MODEL FOR PRECISE DIMENSIONS). FOR ALL OTHER DIMENSIONS NOT SHOWN BUT REQUIRED FOR TOOL BUILD, SEE MATH MODEL FOR PRECISE TOOL PATH DATA.
 - MATERIAL RECYCLING CODE PER ISO 11469. (2.31X10.1) CHARACTERS AS SHOWN TO BE LOCATED ON ANY EXTERIOR SURFACE. OPTIONAL CONSTRUCTION TO BE NO MATERIAL RECYCLING CODE.
 - THIS PART IS NOT CONTROLLED FOR AUTOMATIC FEEDING.
 - THIS PART ACCEPTS THE FOLLOWING COMPONENTS OR EQUIVALENT:
GASKET 12129909
SECONDARY LOCK 15305473
BULB 09441839
 - CAVITIES A AND B ARE IDENTICAL, EXCEPT AS SHOWN.
 - CAVITIES A AND B TO ACCEPT 12092058 TERMINAL OR EQUIVALENT.
 - CAVITY G ACCEPTS 12092030 TERMINAL OR EQUIVALENT.
 - (2.31X10.1) RAISED DELPHI CORPORATE BRAND TO BE LOCATED ON ANY EXTERIOR SURFACE, PREFERABLY VISIBLE AT FINAL ASSEMBLY. OPTIONAL CONSTRUCTION TO BE "PED" OR NO LOGO.

DIMENSIONAL RANGE (MM)		CHART ET	
FROM	TO	>	>
0	20	100	200
20	30	150	300
30	40	200	400
40	50	250	500
50	60	300	600
60	70	350	700
70	80	400	800
80	90	450	900
90	100	500	1000
100	150	600	1500
150	200	700	2000
200	250	800	2500
250	300	900	3000
300	400	1000	4000

DWO TYPE		PART DRAWING	
STYLE	D	DISTR CODE	D
VOLUME (OP)	10.641		
UNLESS OTHERWISE SPECIFIED			
THIS DOCUMENT IS IN ACCORDANCE WITH ASME Y14.5M-1994 AS AMENDED BY THE 2003 DIMENSIONING AND TOLERANCING ADDENDUM - 1997. ALL DIMENSIONAL TOLERANCES AND RELATED DATUM APPLICABLE TO THIS DRAWING ARE UNLESS OTHERWISE SPECIFIED.			
MACH DOES NOT APPLY WHEN RELATIONSHIP BETWEEN FEATURES IS ESTABLISHED BY ORIENTATION OR LOCATION TOLERANCES. SEPARATE POSITION TOLERANCES MAY BE GIVEN SEPARATELY, REGARDLESS OF DATUM REFERENCE.			
ALL DIMENSIONS ARE IN MILLIMETERS			
REFERENCE		THIRD ANGLE PROJECTION	
		DO NOT SCALE	
		USE MATH DATA	

DELPHI
DELPHI PACKARD ELECTRIC SYSTEMS
WARREN, OH

DR	DATE
JERRI L. BOZIO	17MR89
B. RUBERTO	29MR89
P. REEDY	20AP89
T. GENT	20AP89

UNLESS OTHERWISE SPECIFIED
SUBSTANCES OF CONCERN AND RECYCLED CONTENT PER DELPHI 10949001

MATERIAL: M2279001 PA66 GF14 HS 1M-BLK

DRAWING NAME: CONN 3 F LP SOC HARDSHELL BLK SLD W3

DRAWING NUMBER: 12092378

SIZE: A0
SCALE: 5:1
FRAME NO: 1
SHEET NO: 1
OF: 1
REV: R
N/P: 04

X-ON Electronics

Largest Supplier of Electrical and Electronic Components

Click to view similar products for [Automotive Connectors](#) category:

Click to view products by [APTIV](#) manufacturer:

Other Similar products are found below :

[003-018-000](#) [60403001](#) [60993906-B](#) [629515004020001](#) [M902-2131](#) [M902-2161](#) [72.330.1035.1](#) [73.353.4028.0](#) [F119300-B](#) [F166900](#)
[F258300-B](#) [F358300-B](#) [F407400](#) [F444110](#) [F487000](#) [F509500B-B](#) [827153-1](#) [8N1515-32-24P](#) [9-1326729-8](#) [925474-1](#) [928905-1](#) [964562-4](#)
[968782-1](#) [GT17SA-8DS-HU](#) [98891-1012](#) [98947-1016](#) [12004475-L](#) [12010290](#) [12010309-B](#) [12015454](#) [12020219-B](#) [12020308](#) [12041318-B](#)
[12052225-L](#) [12052466](#) [12059125](#) [12064869](#) [12004327-B](#) [12010503-B](#) [12015308](#) [12015384](#) [12015909](#) [1-21030-1](#) [12041254](#) [12041318](#)
[12047946-B](#) [12047957](#) [12047957-L](#) [12059473](#) [12066261](#)