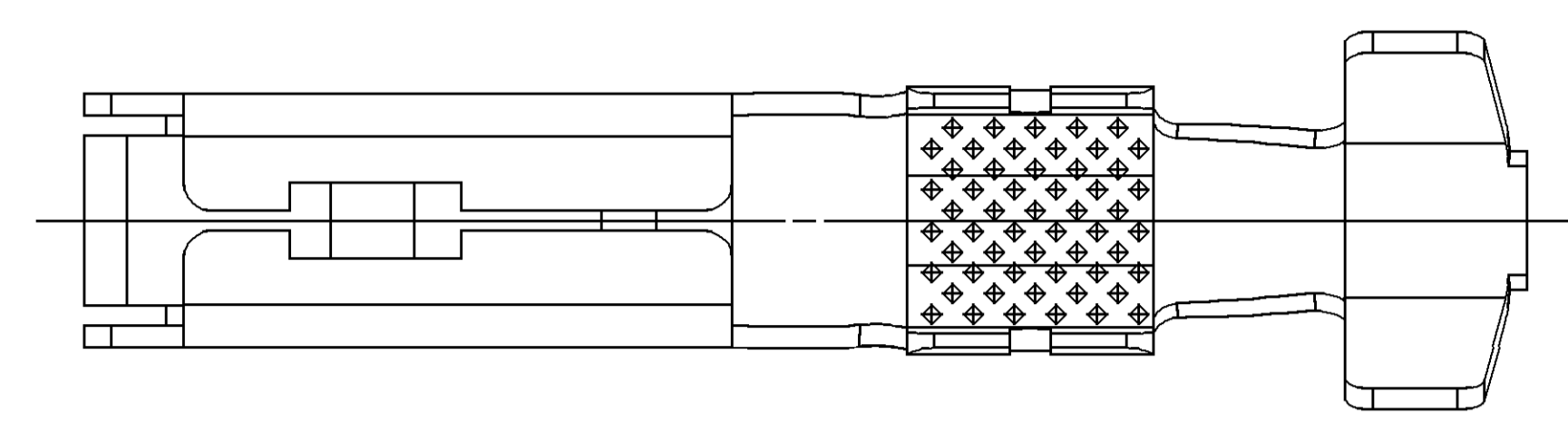
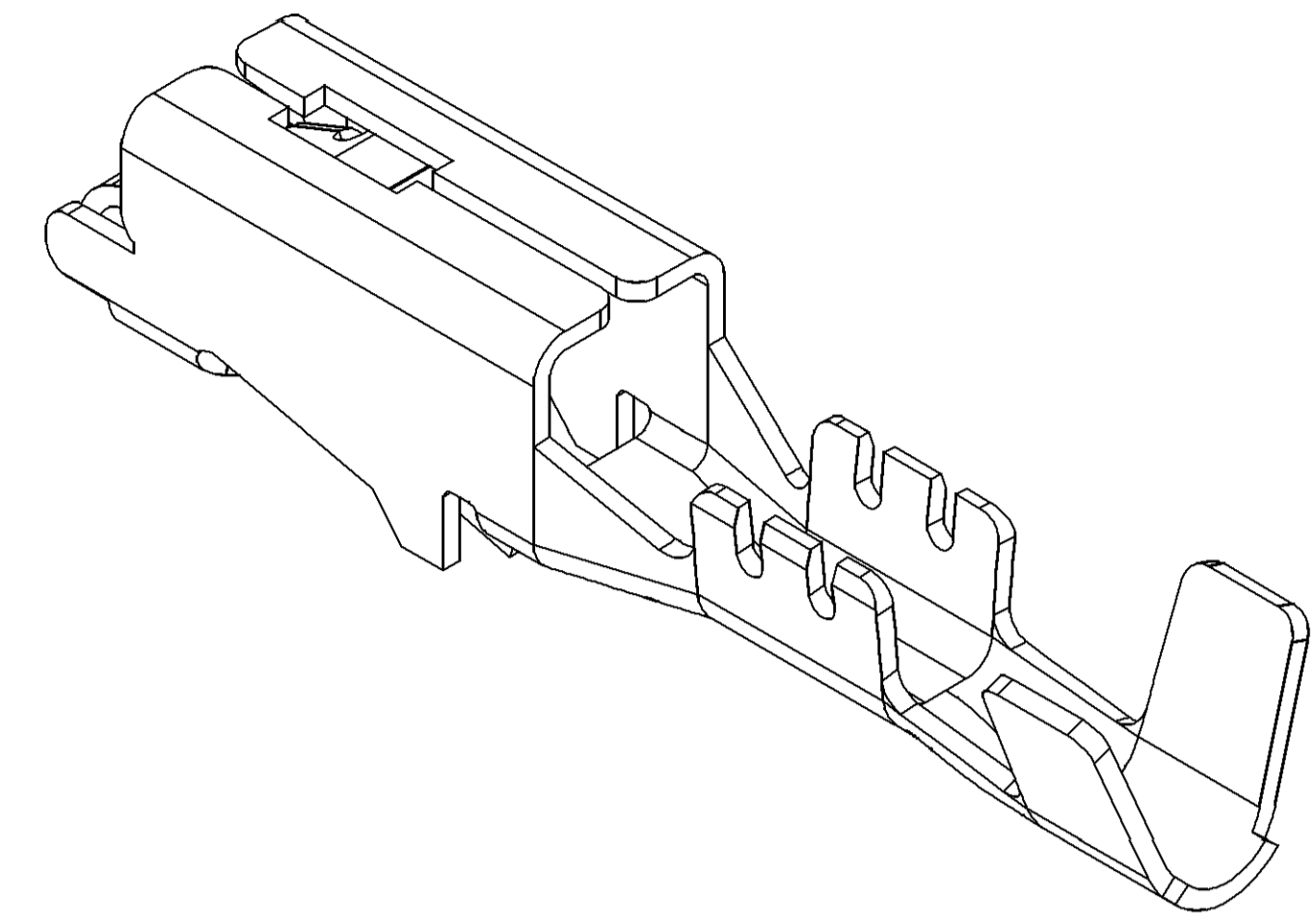
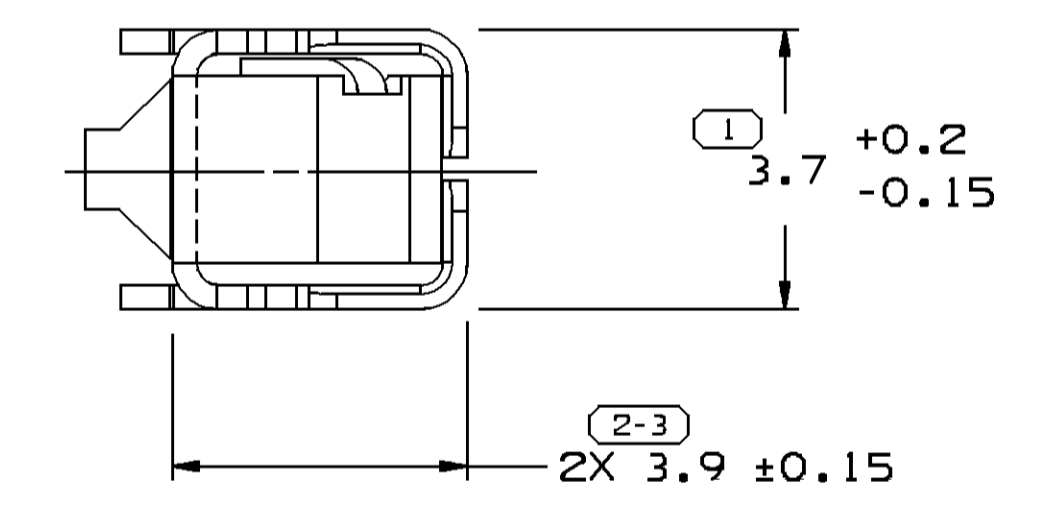
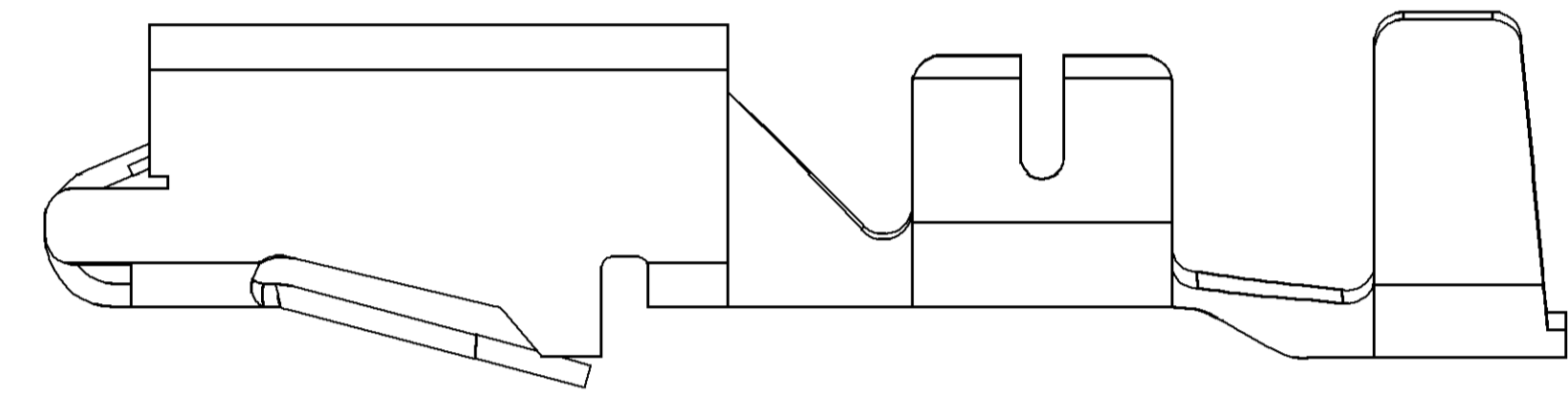


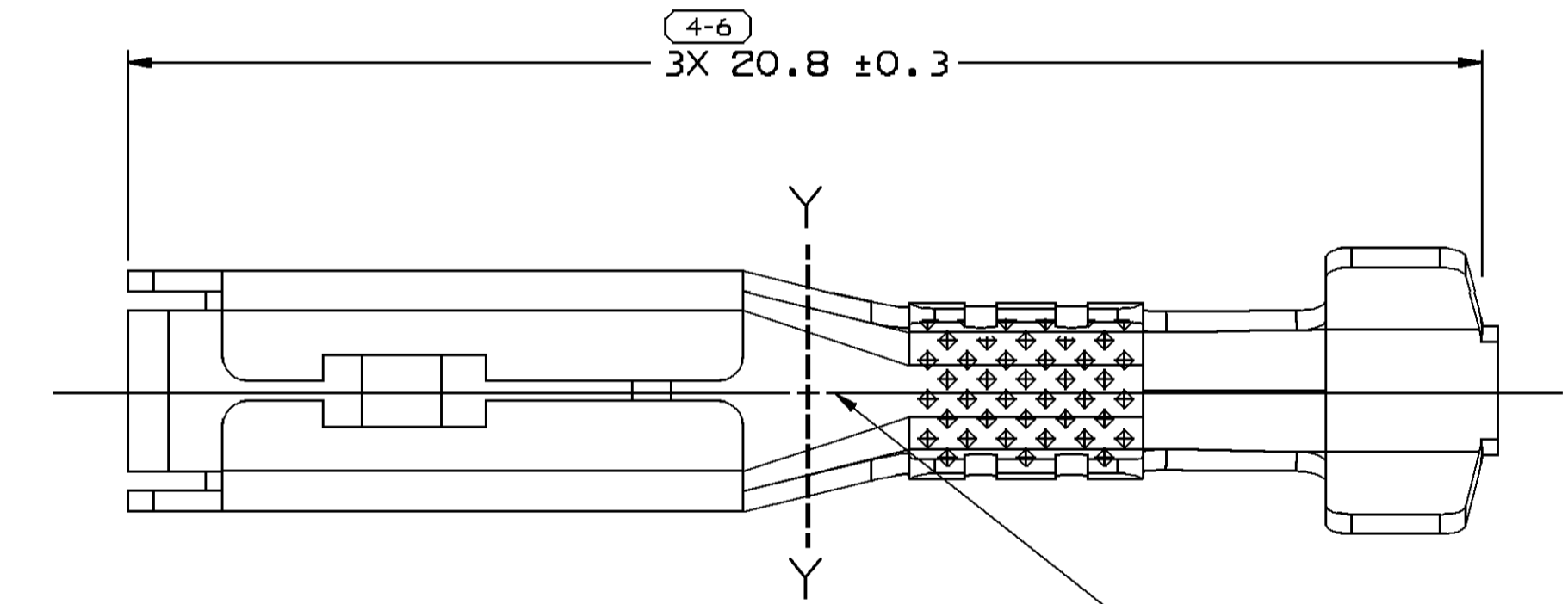
SYMBOL DEFINITION		MISSING NUMBERS		DWG STATUS		ZONE		REVISION HISTORY		AUTH	DR	AP/VD	AP/VD
DATE	STG	REV	N/P	CHG	DATE	STG	REV	N/P	CHG			1	2
10JN05	R	01	-	-	12162620-23	-	-	-	-	269172	JBD	FRG	WTM
28AP08	R	02	-	-	ALL PARTS - UPDATED PDM ATTRIBUTES					404503	EAJ	JAA	WTM
06MY08	R	03	-	-	ALL PARTS - UPDATED PDM ATTRIBUTES					404630	JAA	JAA	WTM
15MY08	R	04	-	-	12162620-22 - UPDATED PDM ATTRIBUTES; 12162623 - INACTIVE					404665	JTZ	JAA	WTM



TYPE 102

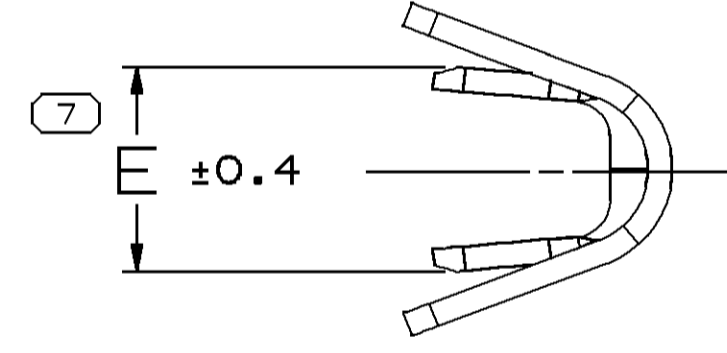


VIEW Y-Y

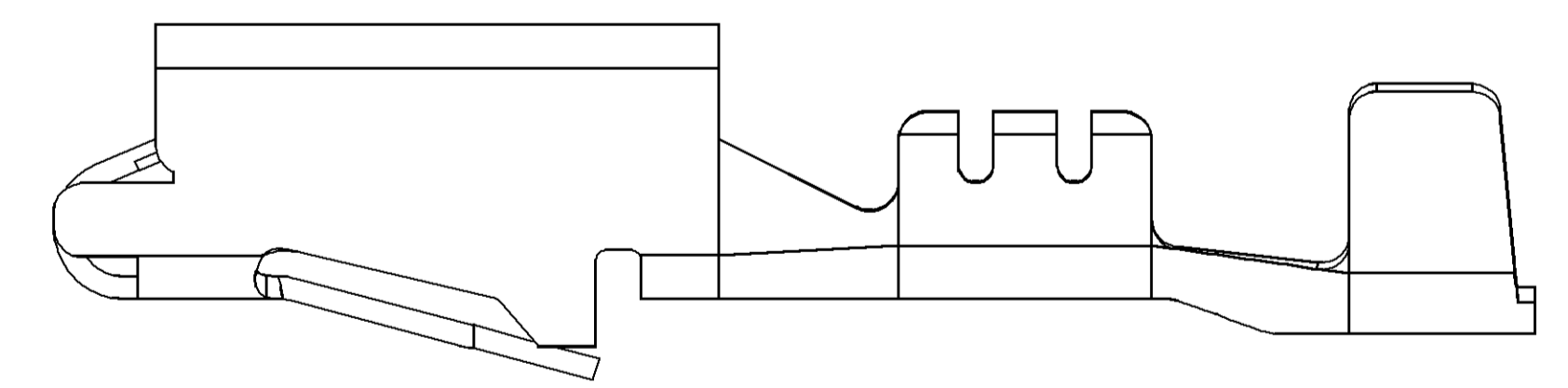


TYPE 101

STAMP DIE ID "PXX" IN THIS AREA (0.6) CHARACTERS XX DESIGNATES DIE NUMBER LOCATION IS APPROXIMATE



VIEW Y-Y



PART NO	REV	N/P	STATUS	MAT'L SIZE	MAT'L SPEC	SIZE (MMF)	DIA	ID	TYPE	E
12162623	A7	-	INACTIVE	0.32 X 31.75	M1574009 METL NONFERROUS C42500 EX HD	0.22	1.8-1.15	24	101	(B) 1.6 ±0.2
12162622	A7	-		0.32 X 31.75	M1574009 METL NONFERROUS C42500 EX HD	3-2	3.65-2.5	13	102	3.9
12162621	A7	-		0.32 X 31.75	M1574009 METL NONFERROUS C42500 EX HD	0.5-0.35	2.19-1.47	21	101	2.2
12162620	A7	-		0.32 X 31.75	M1574009 METL NONFERROUS C42500 EX HD	1-0.8	2.64-1.96	17	101	2.7

NOTES

- UNLESS OTHERWISE SPECIFIED AND/OR INDICATED:
DIMENSIONS ARE TO FACE OF VIEW SHOWN AND AUTOMATICALLY ROUNDED BY COMPUTER FOR INSPECTION. (SEE MATH MODEL FOR PRECISE DIMENSIONS.) FOR ALL OTHER DIMENSIONS NOT SHOWN BUT REQUIRED FOR TOOL BUILD, SEE MATH MODEL FOR PRECISE TOOL PATH DATA.
- MATING TERMINAL 12048159 OR EQUIVALENT.
- DO NOT PROBE, TEST OR OTHERWISE CONTACT THE INTERIOR REGION (THE SPRING OR ANY MOVING PART) OF THIS TERMINAL. SEVERE DAMAGE CAN OCCUR, COMPROMISING THE PERFORMANCE OF THE ELECTRICAL INTERFACE.

Dwg Type		PART DRAWING	
STYLE	D		
VOLUME (DWP)	DISTR CODE		
UNLESS OTHERWISE SPECIFIED			
THIS DOCUMENT IS IN ACCORDANCE WITH ASME Y14.5M-1994 AS MODIFIED BY THE IN-SOURCE DIMENSIONING PRACTICE. (SEE MATH MODEL FOR PRECISE DIMENSIONS.) SEPARATE WRITINGS OF FEATURES MAY BE BASED SEPARATELY PER HOLDERS OF DIMENSION REFERENCES.			
ALL DIMENSIONS ARE IN MILLIMETERS			
DIMENSIONS ENCLOSED IN () INDICATE REFERENCE DIMENSIONS AND NO TOLERANCE LIMITS ARE ESTABLISHED		THIRD ANGLE PROJECTION	
DIMENSIONAL RANGE (MM)		DO NOT SCALE	
FROM	TO	CHART	USE MATH DATA
0	12	>12	
TOLERANCE UNLESS OTHERWISE SPECIFIED			
±0.1		±0.2	
ANGULAR TOLERANCE 22°			

DELPHI
DELPHI PACKARD ELECTRICAL/ELECTRONIC ARCHITECTURE
WREN, OH

DR	DATE
APV01 J. R. BARRIENTOS	22JN05
APV02 FCO. RESENDIZ	23JN05
APV03 TOM MADDEN	24JN05
APV04	
APV05	

SUBSTANCES OF CONCERN AND RECYCLED CONTENT PER DELPHI 10949001

WATER/SEE CHART

DRAWING NAME
TAXI TERM F M/P 280 TANG

DRAWING NUMBER
12186554

SIZE AD 10:1 SCALE 1 OF 1 FRAME NO 1 OF 2 SHEET NO 2 REV N/P R 04

X-ON Electronics

Largest Supplier of Electrical and Electronic Components

Click to view similar products for [Automotive Connectors](#) category:

Click to view products by [APTIV](#) manufacturer:

Other Similar products are found below :

[003-018-000](#) [60403001](#) [60993906-B](#) [629515004020001](#) [M902-2131](#) [M902-2161](#) [72.330.1035.1](#) [73.353.4028.0](#) [F119300-B](#) [F166900](#)
[F258300-B](#) [F358300-B](#) [F407400](#) [F444110](#) [F487000](#) [F509500B-B](#) [827153-1](#) [8N1515-32-24P](#) [9-1326729-8](#) [925474-1](#) [928905-1](#) [964562-4](#)
[968782-1](#) [GT17SA-8DS-HU](#) [98891-1012](#) [98947-1016](#) [12004475-L](#) [12010290](#) [12010309-B](#) [12015454](#) [12020219-B](#) [12020308](#) [12041318-B](#)
[12052225-L](#) [12052466](#) [12059125](#) [12064869](#) [12004327-B](#) [12010503-B](#) [12015308](#) [12015384](#) [12015909](#) [1-21030-1](#) [12041254](#) [12041318](#)
[12047946-B](#) [12047957](#) [12047957-L](#) [12059473](#) [12066261](#)