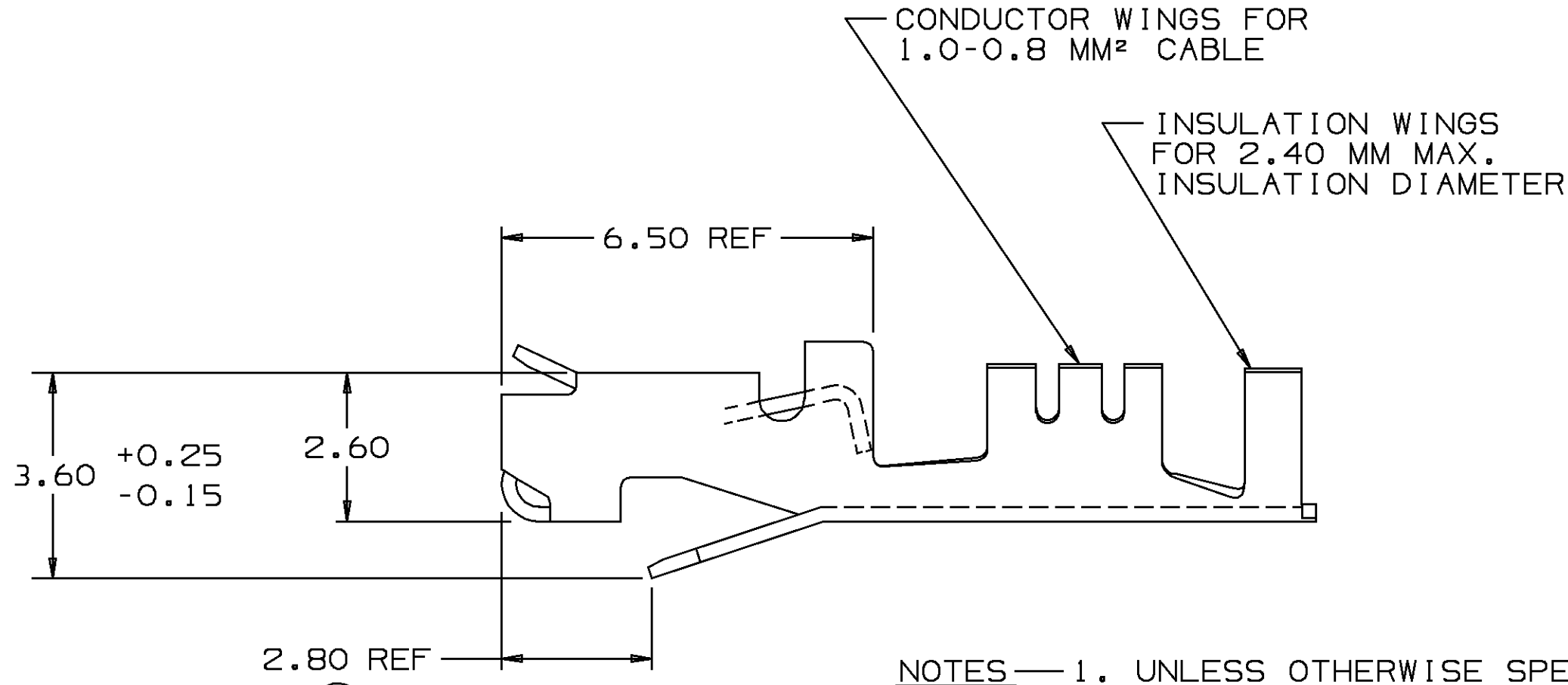
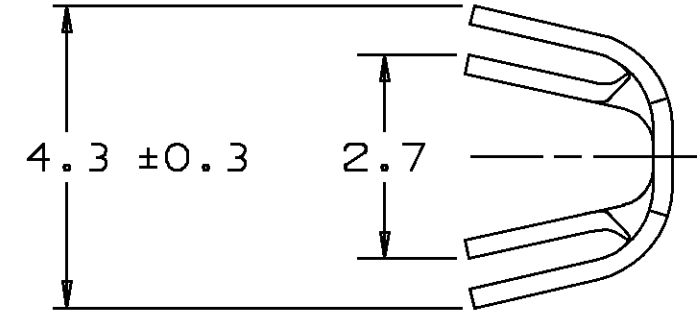
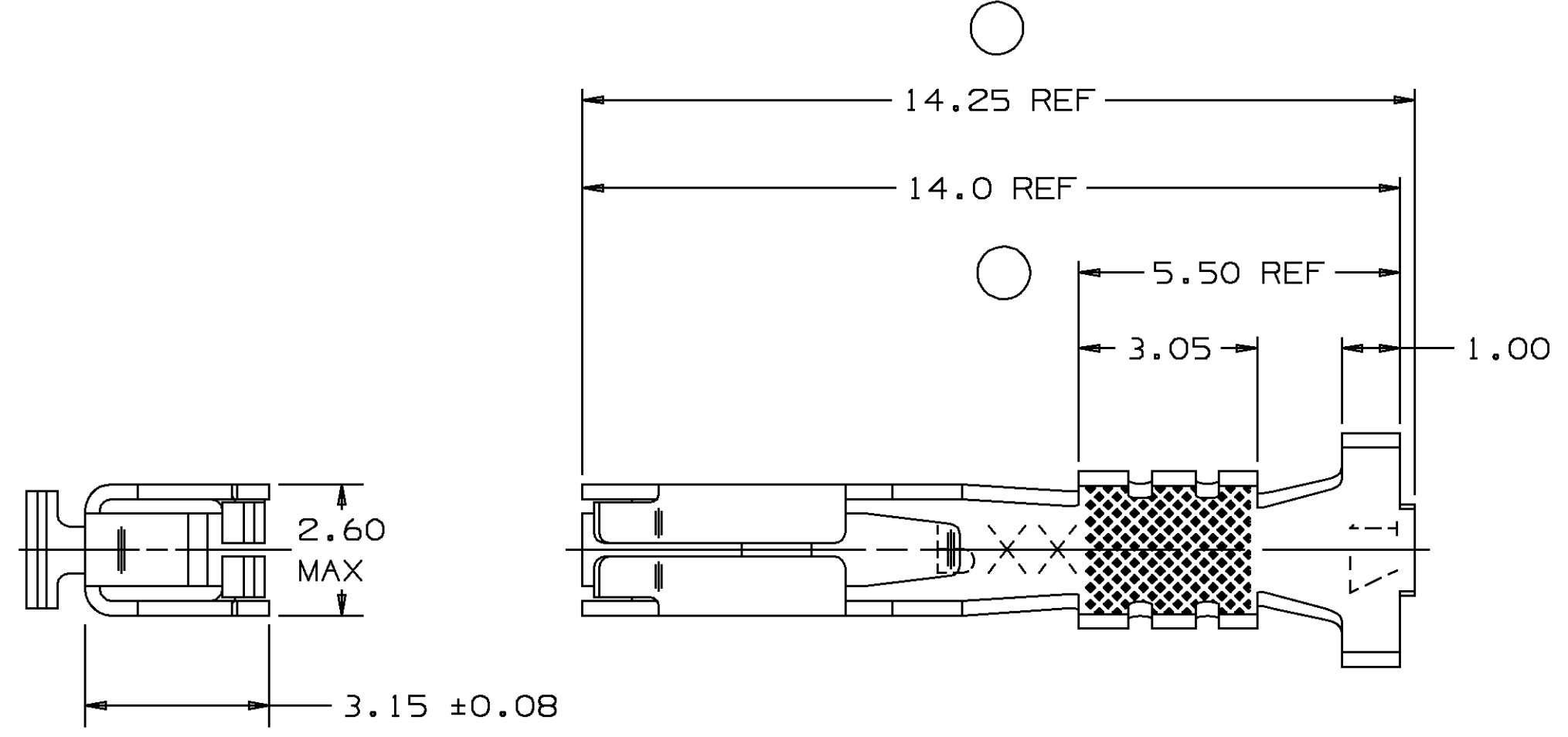
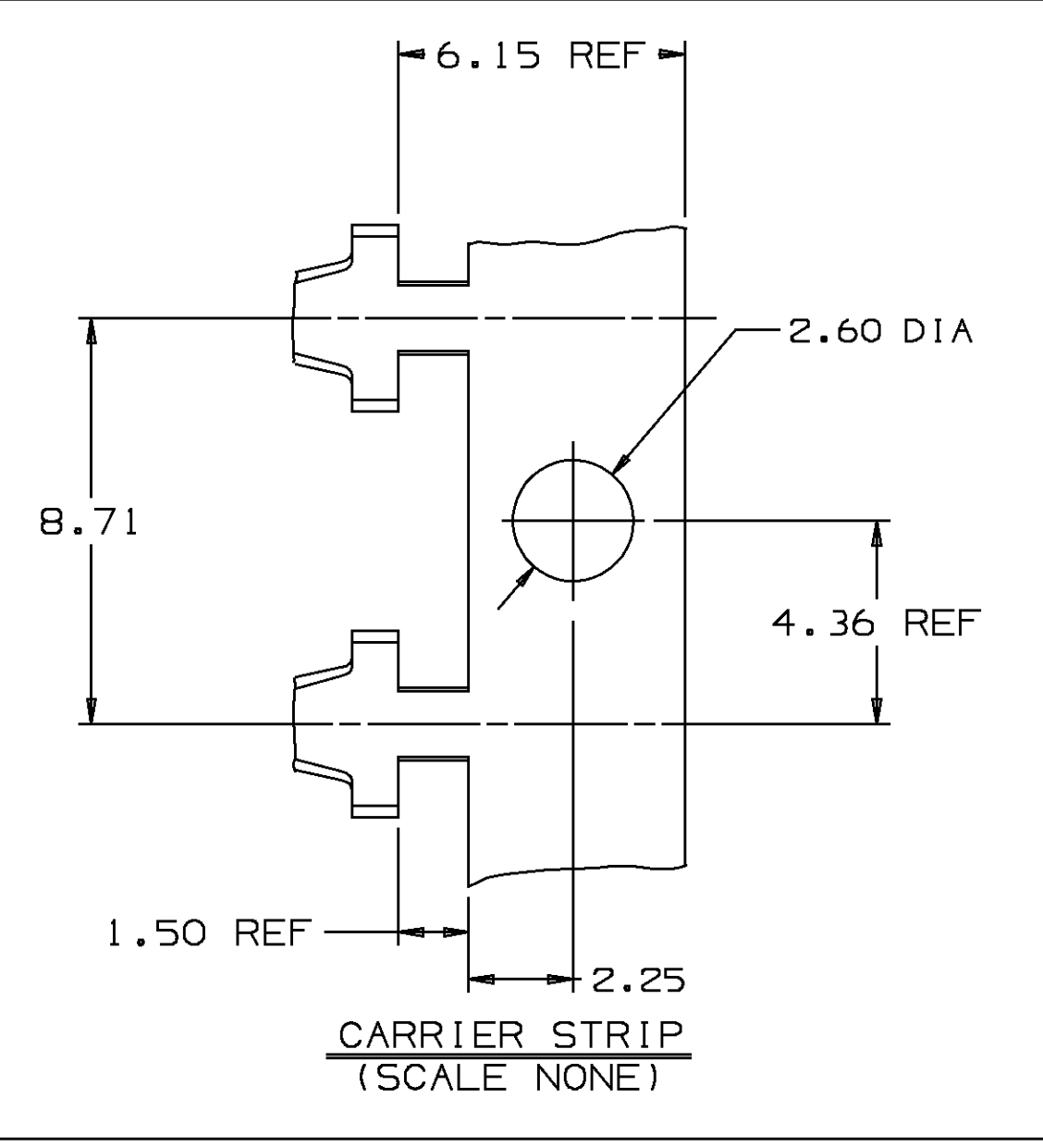


THIS DRAWING AND DESIGN HEREON CONSTITUTES A PROPRIETARY DESIGN OF PACKARD ELECTRIC DIVISION AND IS NOT TO BE DUPLICATED OR REPRODUCED WITHOUT AUTHORITY OF PACKARD ELECTRIC DIVISION

DO NOT SCALE

PACKARD ELECTRIC DIVISION  
GENERAL MOTORS CORPORATION  
WARREN, OHIO

PART NO  
1210 3881



- NOTES** — 1. UNLESS OTHERWISE SPECIFIED AND/OR INDICATED: DIMENSIONS ARE TO FACE OF VIEW SHOWN AND AUTOMATICALLY ROUNDED BY COMPUTER FOR INSPECTION. (SEE MATH MODEL FOR PRECISE DIMENSION)
2. DIMENSIONS MARKED "REF" ARE FOR REFERENCE ONLY AND NO TOLERANCE LIMITS ARE ESTABLISHED.
3. ENGAGE : 3-10N  
DISENGAGE : 1.5-8N
4. REFERENCE PACKARD GAGE # G-8261

| DATE   | SYM | REVISION RECORD                         | AUTH   | DR  | CK  |
|--------|-----|---|--------|-----|-----|
| 24SE92 |     | REDRAWN AND UPDATED TO LATEST STANDARDS |        |     |     |
|        |     | REV LEVEL REMAINS AT "A"                | 920007 | JK  | JC  |
| 24FE93 |     | REDRAWN TO "C" SIZE                     |        |     |     |
|        |     | REV LEVEL REMAINS AT "A"                | 154464 | DE  | DE  |
| 05AU94 |     | ADDED 4.3±0.3 DIM- NO REV UPDATE        | 161276 | TW  | TW  |
| 09N094 |     | DRAWING REVISED PER CUSTOMER REQUEST    |        |     |     |
|        |     | REV LEVEL REMAINS AT "A"                | 164566 | JVM | SMP |
| 25MR96 | B   | REVISED                                 | 171061 | JOS | JOS |
| 21JN96 |     | REVISED - REV LEVEL REMAINS AT "B"      | 173815 | MRG | RPC |

PART NO  
1210 3881

|  |               |   |                             |
|--|---------------|---|-----------------------------|
|  |               | <b>METRIC</b><br>DIMENSIONS ARE IN MILLIMETERS UNLESS OTHERWISE SPECIFIED |                             |
| THIRD ANGLE PROJECTION                                 |               | TOLERANCE UNLESS OTHERWISE SPECIFIED<br>DECIMAL: ANGULAR ±1°30'           |                             |
|  |               | ONE PLACE ± 0.2<br>TWO PLACE ± 0.10<br>DES HENRY HOKE 22MY91              |                             |
| CODE NO<br>6900<br>6901                                | QC            | DR<br>HENRY HOKE 22MY91   | CK<br>DAVID BECK 06JN91     |
| DWG DATE<br>22MY91                                     | SCALE<br>NONE | REFERENCE NO<br>12020717 "AO" SIZE  | APPR<br>VOL CM <sup>3</sup> |
| MATERIAL SPEC<br>0.254 THK SILICON BRONZE - TIN PLATED |               |   |                             |
| NAME<br>TERM F M/P 150 SER P25                         |               |   |                             |
| PART NUMBER<br>1210 3881                               |               | SIZE<br>A2  |                             |
| OUTLINE DRAWING  |               |   |                             |

## X-ON Electronics

Largest Supplier of Electrical and Electronic Components

*Click to view similar products for [Automotive Connectors](#) category:*

*Click to view products by [APTIV](#) manufacturer:*

Other Similar products are found below :

[003-018-000](#) [60403001](#) [60993906-B](#) [629515004020001](#) [M902-2131](#) [M902-2161](#) [72.330.1035.1](#) [73.353.4028.0](#) [F119300-B](#) [F166900](#)  
[F258300-B](#) [F358300-B](#) [F407400](#) [F444110](#) [F487000](#) [F509500B-B](#) [827153-1](#) [8N1515-32-24P](#) [9-1326729-8](#) [925474-1](#) [928905-1](#) [964562-4](#)  
[968782-1](#) [GT17SA-8DS-HU](#) [98891-1012](#) [98947-1016](#) [12004475-L](#) [12010290](#) [12010309-B](#) [12015454](#) [12020219-B](#) [12020308](#) [12041318-B](#)  
[12052225-L](#) [12052466](#) [12059125](#) [12064869](#) [12004327-B](#) [12010503-B](#) [12015308](#) [12015384](#) [12015909](#) [1-21030-1](#) [12041254](#) [12041318](#)  
[12047946-B](#) [12047957](#) [12047957-L](#) [12059473](#) [12066261](#)