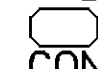
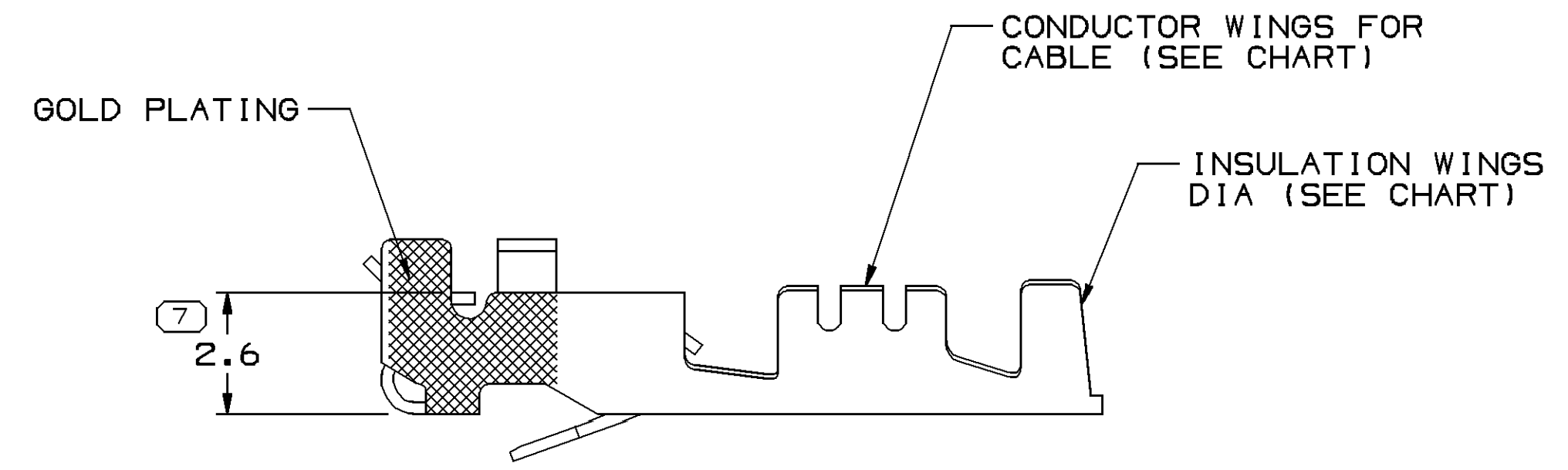
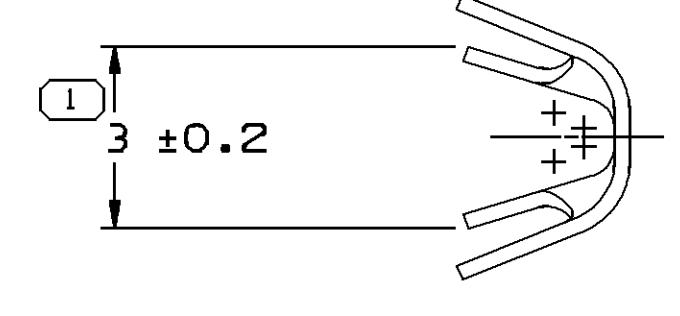
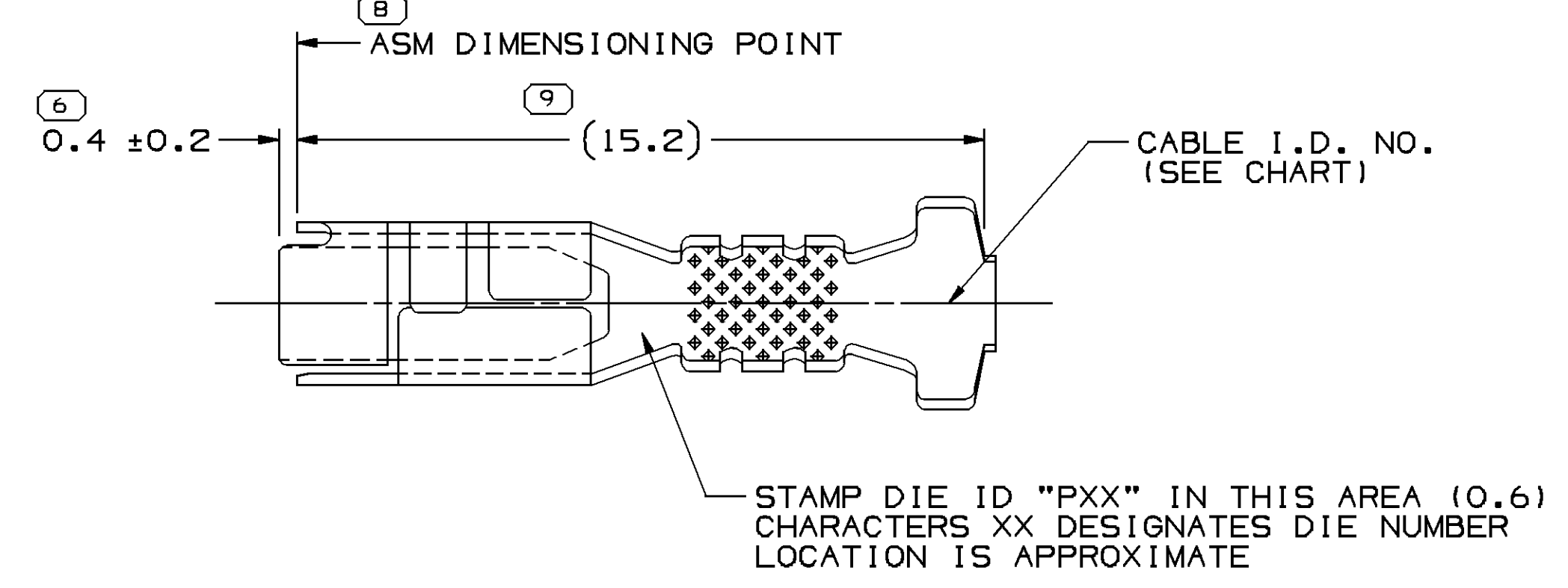
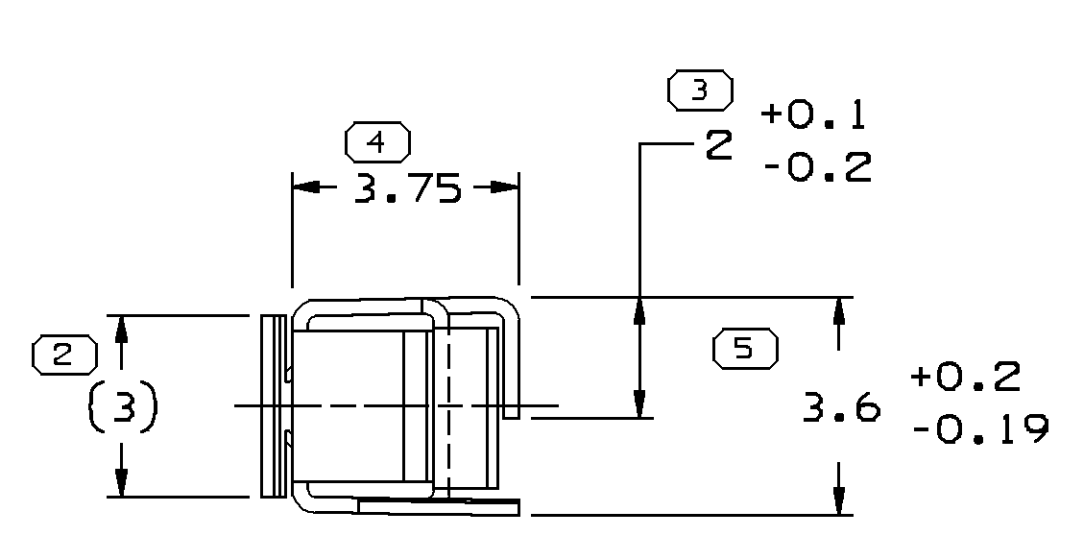


SYMBOL DEFINITION		
A DIMENSION WITHOUT AN INSPECTION REPORT SYMBOL  DOES NOT REQUIRE INSPECTION. IT MAY BE CONTROLLED ON THE INDIVIDUAL COMPONENT DRAWING.	TOTAL NO OF INSPECTIONS REQUIRED	9
	LAST NO. USED	9

MISSING SYMBOLS				NO MISSING SYMBOL NUMBER	
DATE	STG	REV	N/P	CHG	ZONE
31MR97	-	-	-	-	-
09SE97	-	-	-	-	-
09SE97	-	-	-	-	-
12DE03	R	03	-	-	-
17MY04	R	04	-	-	-
150C04	R	05	-	-	-
19JA06	R	06	-	-	-

REVISION HISTORY		AUTH	DR	APVD1	APVD2
ALL PARTS: WAS SEPARATE "B" SIZE & REDRAWN, NO REV UPDATE REQ'D		177526		ELO	FKV
ALL PARTS: PID UPDATE, NO REV UPDATE REQ'D		181361		MRG	JVS
ALL PARTS: 3.60 +0.20/-0.19 WAS 3.80 MAX NO REV UPDATE REQ'D		181386		MRG	JVS
ALL PARTS: REVISED LOCK TANG WIDTH		250021		MJM	MJM
ALL PARTS - SHEET 3 WAS SHEET 1 OF 1		253922		CCV	FRG
12110158 - ADDED TERMINAL ID NOTE AND REMOVED PXX FROM GRAPHICS		260003		JAA	MKM
12110158 - UPDATED PDM ATTRIBUTES		276314		JBD	JAA



NOTES:


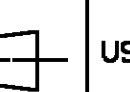
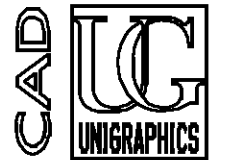
- RECOMMENDED MATING BLADE - WIDTH: 2.65±0.23
THICKNESS: 0.86/0.79
LENGTH: 7±0.1
- RECOMMENDED BLADE MATERIAL - MALE BLADE MATERIAL SHOULD HAVE AN ELECTRICAL CONDUCTIVITY ≥ 20% IACS AT 68°F. USE OF MATERIAL WITH CONDUCTIVITY < 20% IACS SHOULD BE APPROVED BY PACKARD ELECTRIC.
- TERMINAL USED IN 12065454 CONNECTOR OR EQUIVALENT.
- UNLESS OTHERWISE SPECIFIED AND/OR INDICATED: DIMENSIONS ARE TO FACE OF VIEW SHOWN AND AUTOMATICALLY ROUNDED BY COMPUTER FOR INSPECTION.
- DO NOT PROBE, TEST OR OTHERWISE CONTACT THE INTERIOR REGION (THE SPRING OR ANY MOVING PART) OF THIS TERMINAL. SEVERE DAMAGE CAN OCCUR, COMPROMISING THE PERFORMANCE OF THE ELECTRICAL INTERFACE.

PLATING NOTE:

- PART IS SELECTIVELY GOLD, NICKEL & TIN PLATED.

PART NO	REV	N/P	STATUS	MAT'L SPEC	SIZE (MM ²)	I.D.	DIA
12110158	03	AC		PMO03633-AN4	1-0.8-0.5	60	2.4-2.03
12084906	C	-	OBSOLETE	PMO03620-AN4	1-0.8-0.5	60	2.4-2.03
				PLATED	CABLE		

(N/A) PROCESS SENSITIVE DIMENSION	
DIMENSIONS ENCLOSED IN () INDICATE REFERENCE DIMENSIONS AND NO TOLERANCE LIMITS ARE ESTABLISHED	
DIMENSIONAL RANGE (MM)	CHART D
FROM 0	>12
TO 12	
TOLERANCE UNLESS OTHERWISE SPECIFIED	
±0.1	±0.2
ANGULAR TOLERANCE ±2°	

DWG TYPE		PART DRAWING	
STYLE			
VOLUME (QTY)	DISTR CODE		
	D		
UNLESS OTHERWISE SPECIFIED			
THIS DOCUMENT IS IN ACCORDANCE WITH ASME Y14.5M-1994 AS AMENDED BY THE 3M GLOBAL DIMENSIONING AND TOLERANCING ADDENDUM-2001. SEPARATE PATTERNS OF FEATURES MAY BE DAGED SEPARATELY REGARDLESS OF DATUM REFERENCES.			
ALL DIMENSIONS ARE IN MILLIMETERS			
REFERENCE			
THIRD ANGLE PROJECTION	DO NOT SCALE	UNIGRAPHICS	
			
USE MATH DATA			

DELPHI						
DELPHI PACKARD ELECTRIC SYSTEMS WARREN, OH						
DR	DATE					
APVD1 E. LUQUENO	31MR97					
APVD2 FCO. KOPCA	02AP97					
APVD3 O. GALLEGOS	22AP97					
APVD4						
APVD5						
SUBSTANCES OF CONCERN AND RECYCLED CONTENT PER DELPHI 10949001						
MATERIAL SEE CHART						
DRAWING NAME						
TAXI TERM F M/P 280.1 TANG						
DRAWING NUMBER						
12059227						
SIZE	SCALE	FRAME NO	SHEET NO	STG	REV	N/P
A1	8:1	1 OF 1	3 OF 3	R	06	-

X-ON Electronics

Largest Supplier of Electrical and Electronic Components

Click to view similar products for [Automotive Connectors](#) category:

Click to view products by [APTIV](#) manufacturer:

Other Similar products are found below :

[003-018-000](#) [60403001](#) [60993906-B](#) [629515004020001](#) [M902-2131](#) [M902-2161](#) [72.330.1035.1](#) [73.353.4028.0](#) [F119300-B](#) [F166900](#)
[F258300-B](#) [F358300-B](#) [F407400](#) [F444110](#) [F487000](#) [F509500B-B](#) [827153-1](#) [8N1515-32-24P](#) [9-1326729-8](#) [925474-1](#) [928905-1](#) [964562-4](#)
[968782-1](#) [GT17SA-8DS-HU](#) [98891-1012](#) [98947-1016](#) [12004475-L](#) [12010290](#) [12010309-B](#) [12015454](#) [12020219-B](#) [12020308](#) [12041318-B](#)
[12052225-L](#) [12052466](#) [12059125](#) [12064869](#) [12004327-B](#) [12010503-B](#) [12015308](#) [12015384](#) [12015909](#) [1-21030-1](#) [12041254](#) [12041318](#)
[12047946-B](#) [12047957](#) [12047957-L](#) [12059473](#) [12066261](#)