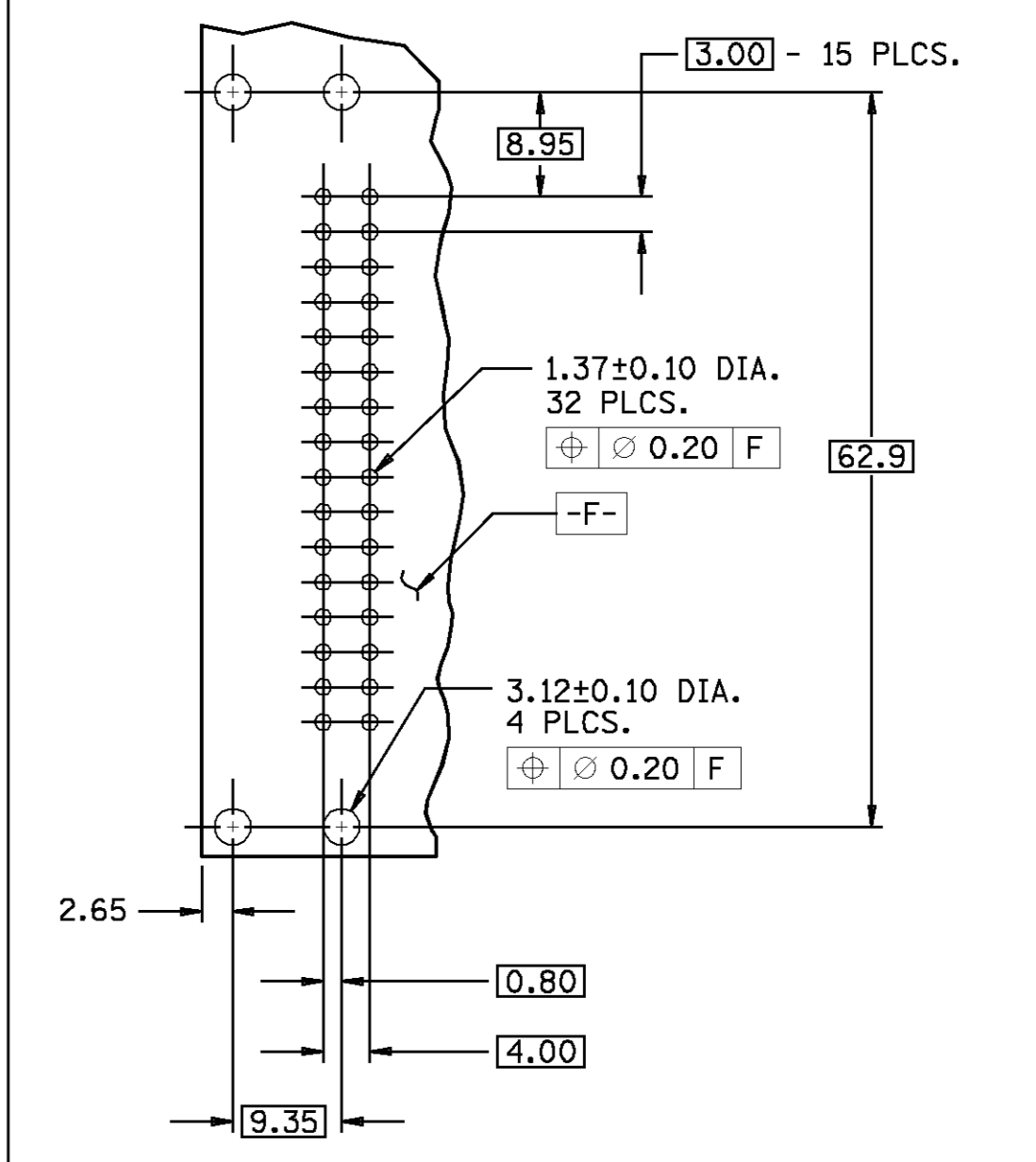
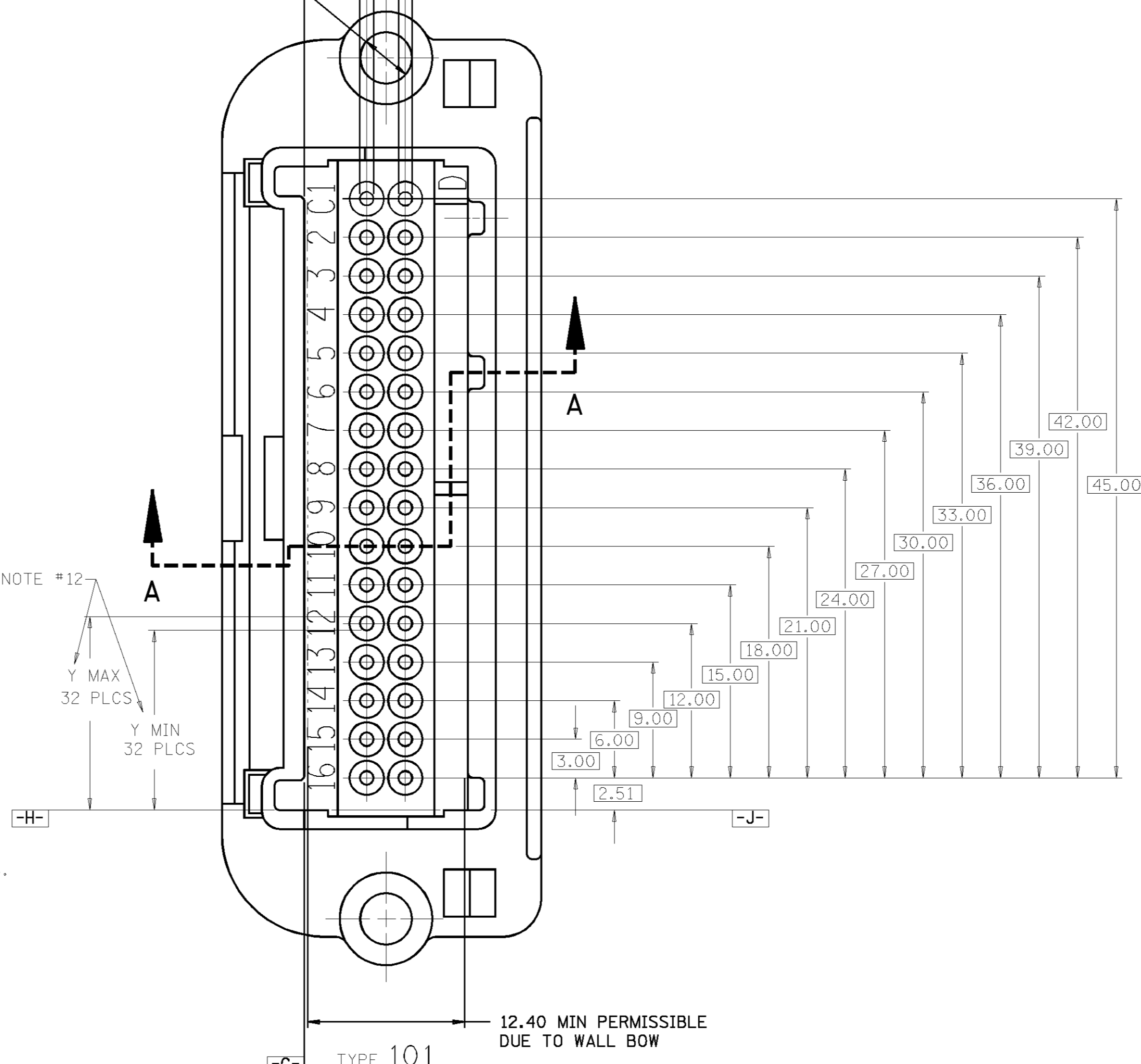
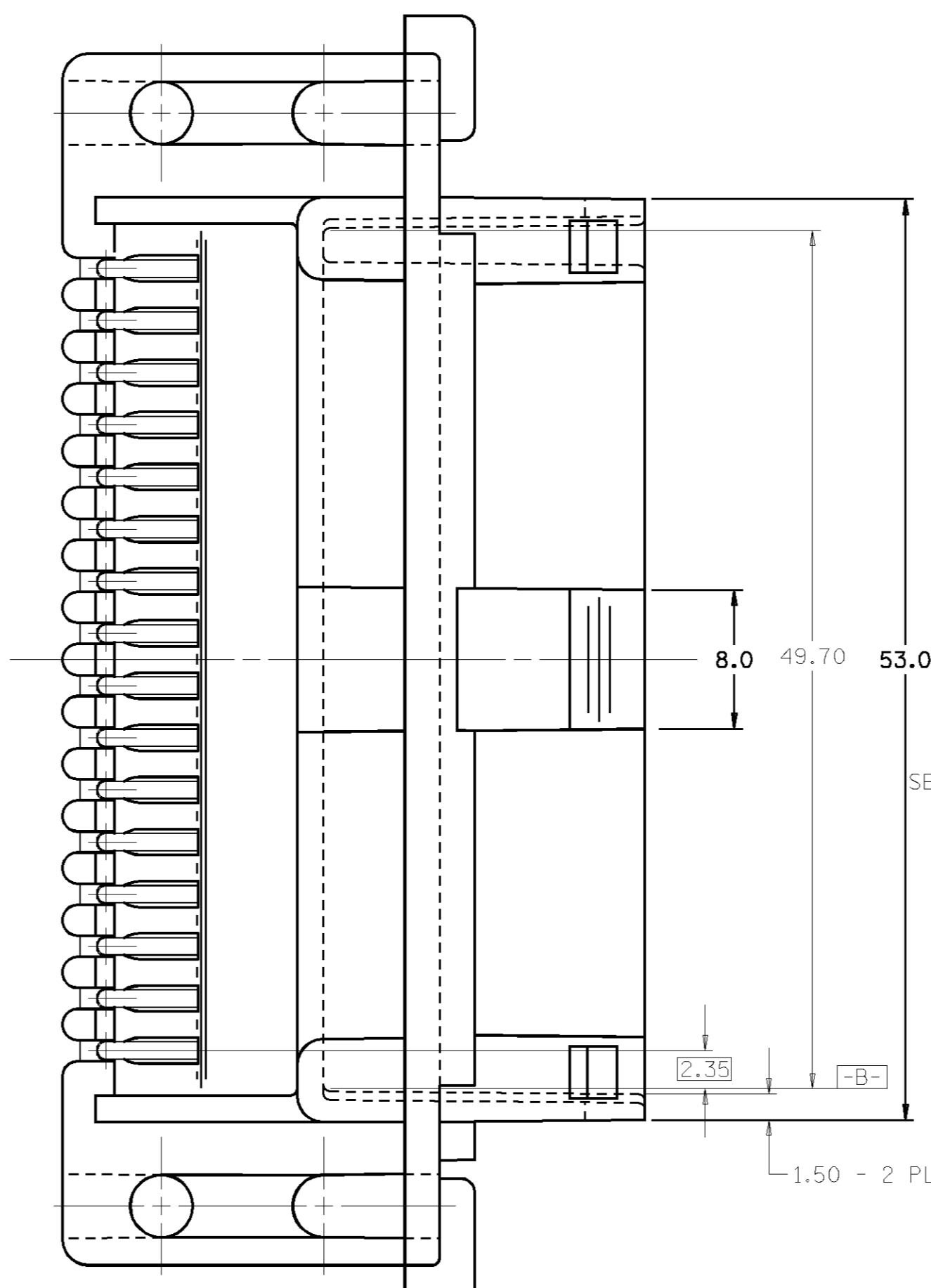
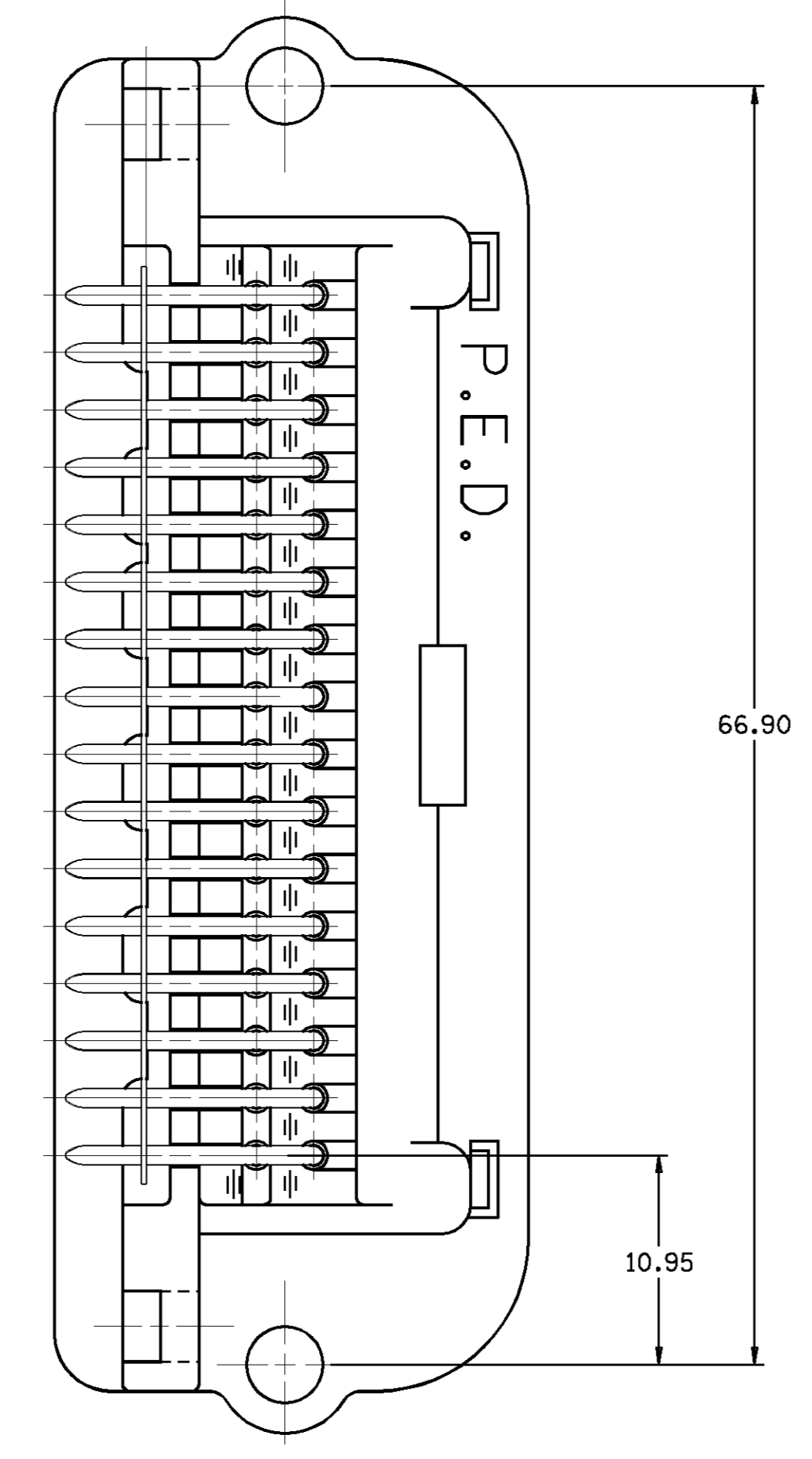
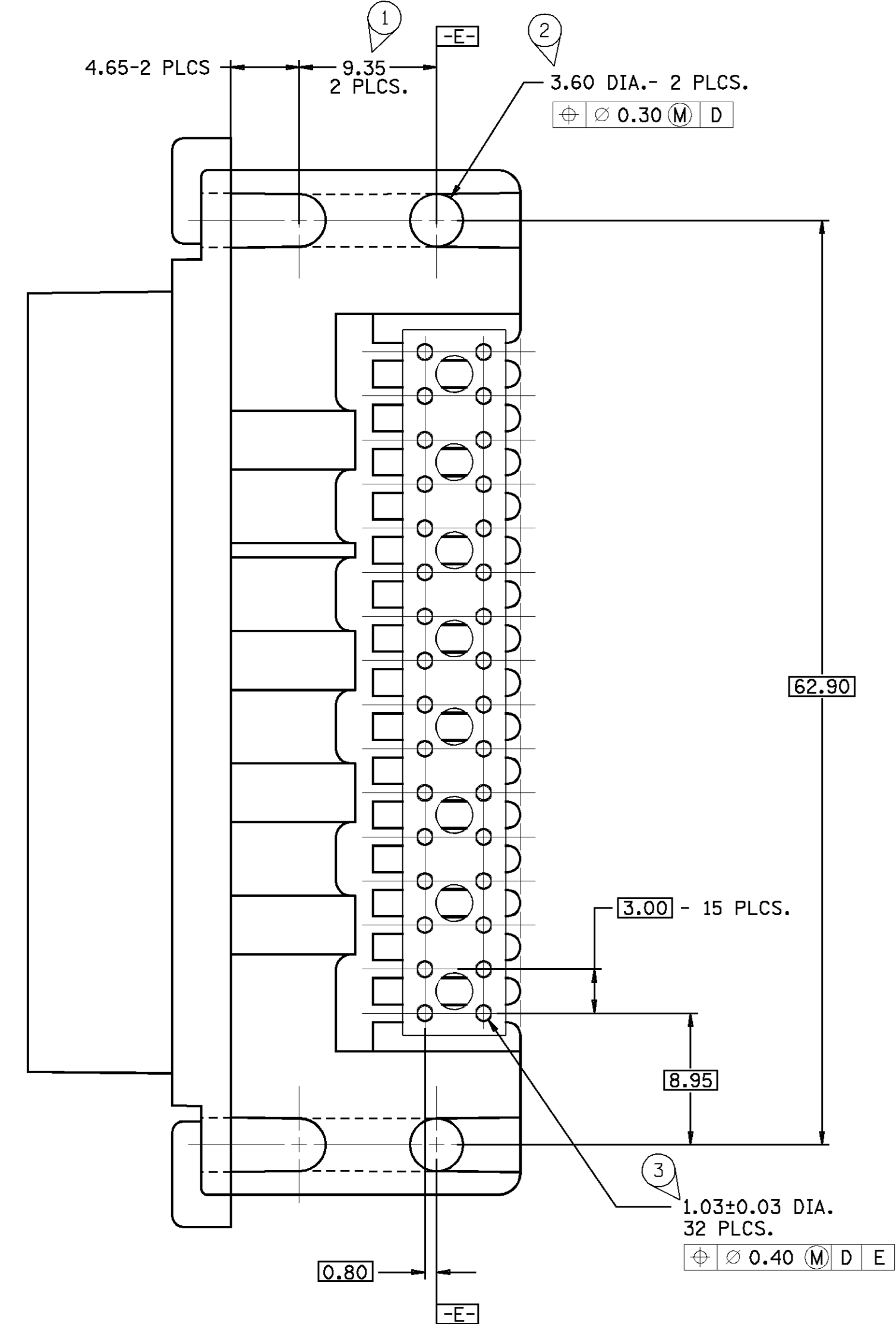


THIS DRAWING AND DESIGN HEREON CONSTITUTE A PROPRIETARY DESIGN OF PACKARD ELECTRIC DIVISION AND IS NOT TO BE REPRODUCED OR REPRODUCED WITH-OUT AUTHORITY OF PACKARD ELECTRIC DIVISION.

PART NO. 1211 0224

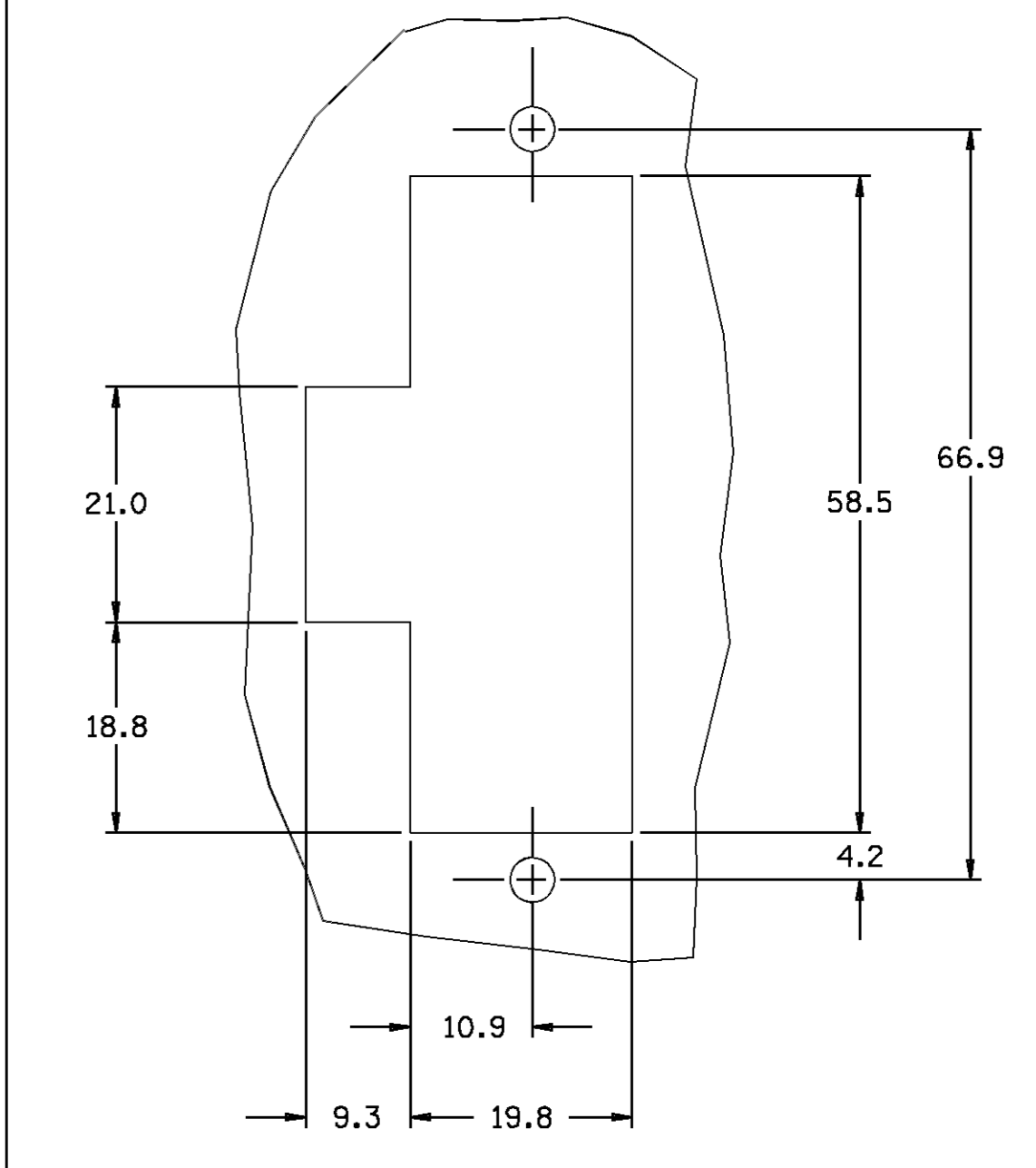
PART NO. 1211 0224

ZONE	DATE	BY	REVISION RECORDS	AUTHORITY	DR	CK
17N089			PC DRAWING CREATION	380012	JR	-
13E90			12110225 & 12110323 WERE PED10R13 & PED03R14; REVISED INDEX FEATURES AND RELEASED TO REV "B"	300005	JC	JC
07D80			ALL PARTS-REVISED GRAPHICS OF 12110227 & 12110324 CONN-TO REV "C"	138616	JC	JC
12E91			ALL PARTS - ADDED DIM. REVISED ROW IDENTIFICATION LETTERS AND DIMS 14 PLCS1 & RELOCATED DATUM [-B] - NO REV UPDATE REQ'D	143787	BKD	BKD
14M92			12128956 - RELEASED TO REV "A"	320005	BAR	BAR
11A92			ALL PARTS - ADDED COLUMN CONNECTOR TO CHART - NO REV UP DATE REQ'D	150174	MWP	MWP
11A92			ADD - DATUMS F, H, G, J, & NOTES 11 & 12 - NO REV UPDATE REQ'D	140274	MWP	MWP
11A92			12110225 - OBSOLETE	320003	MWP	MWP
17F83			G.C. WAS C-5129	330004	HH	HH

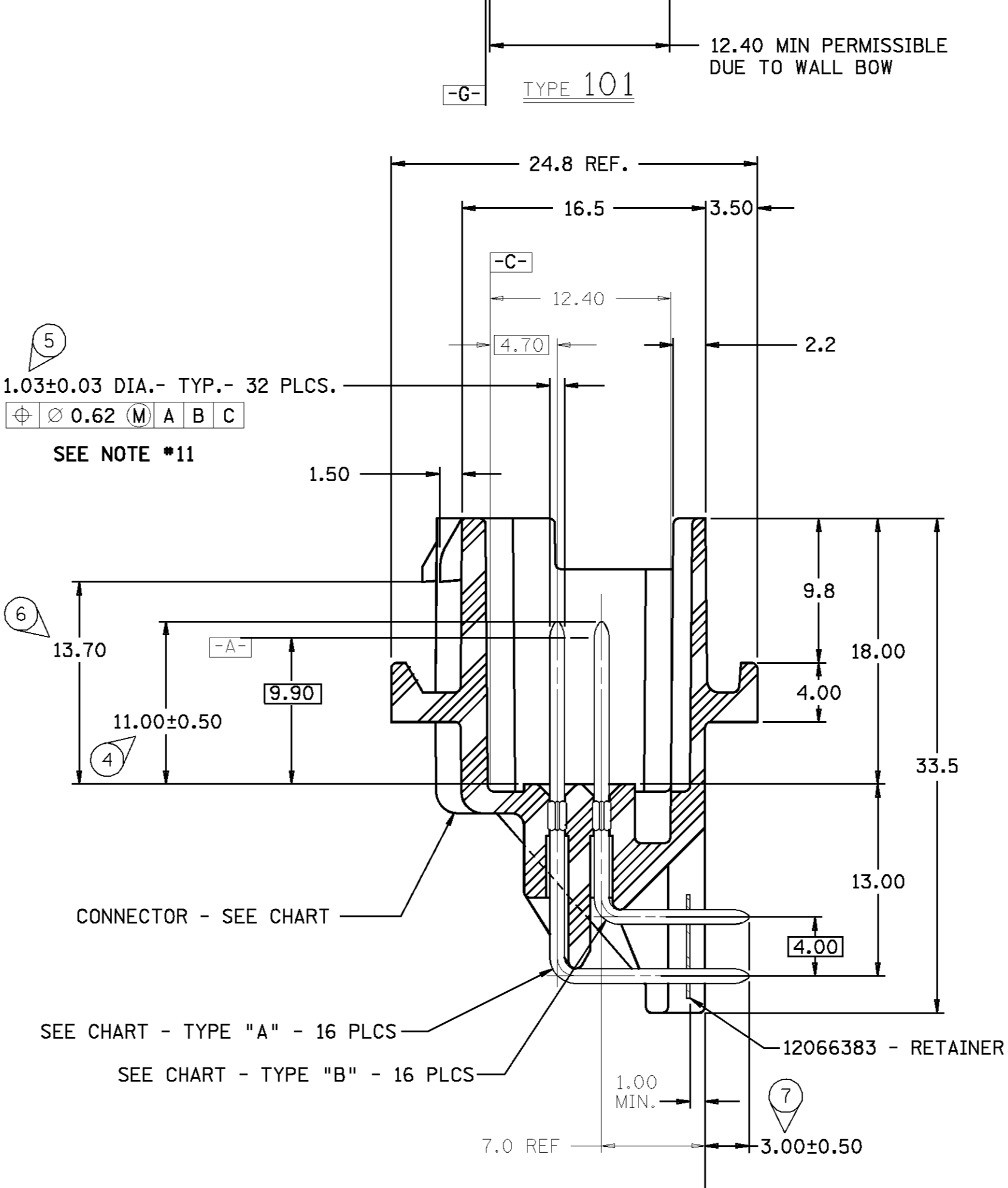
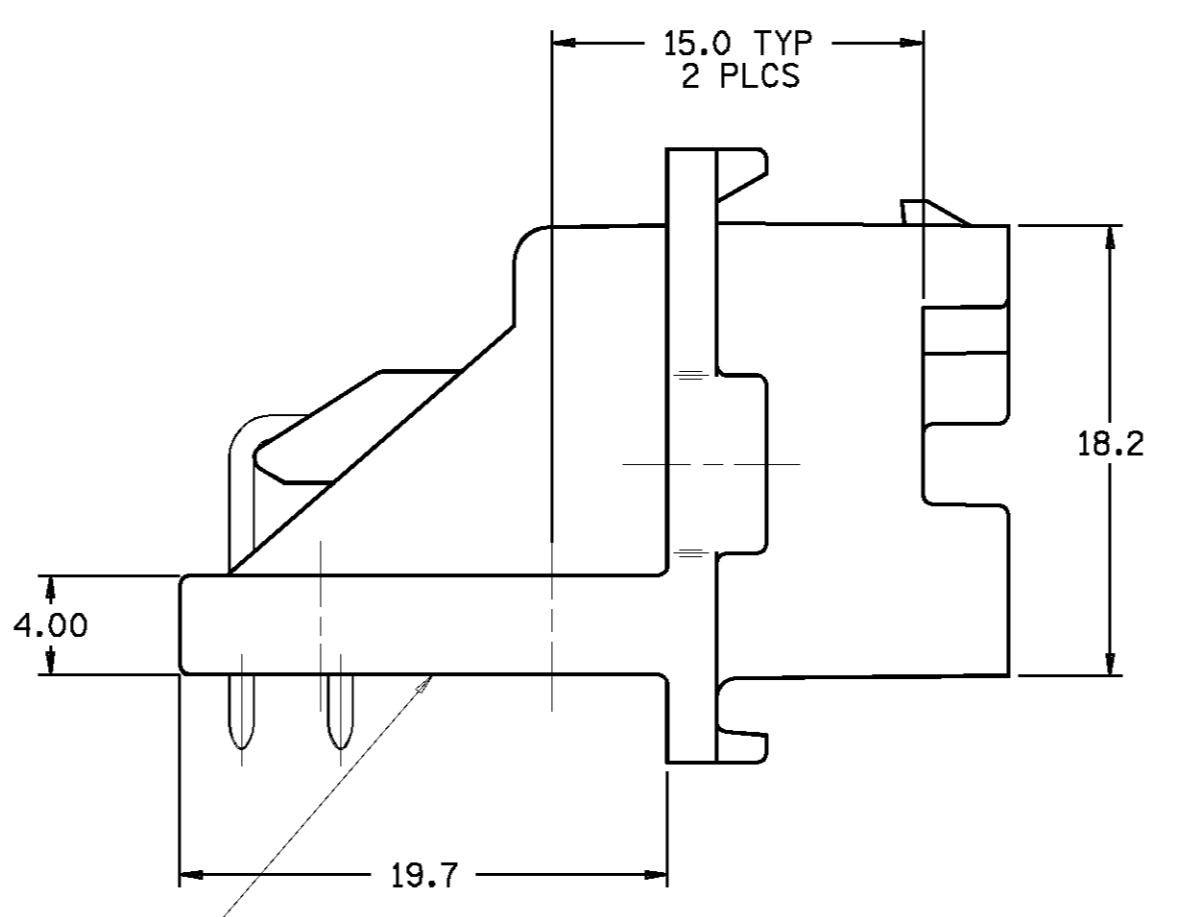


NOTES - 1. RECOMMENDED BOARD THICKNESS IS 1.50 MM.  
2. SOLDER - THRU HOLE RECOMMENDED.  
3. RECOMMENDED FASTENER #4-40.

**MATING CIRCUIT BOARD DETAIL**  
CONNECTOR MATING SIDE  
SCALE 2:1



**CASE OPENING**  
SCALE 2:1  
1. RECOMMENDED FASTENER #4-40.  
2. CASE THICKNESS IS 1.27 MM.



5  
1.03±0.03 DIA.- TYP.- 32 PLCS.  
0.62 M A B C  
SEE NOTE #11

- NOTES
- DIMENSIONS ARE TO FACE OF VIEW SHOWN UNLESS OTHERWISE INDICATED.
  - "<math>\phi</math>" DENOTES DIMENSIONS AND CHARACTERISTICS THAT ARE IMPORTANT TO THE FUNCTION AND/OR PROCESSING OF THE PART. IT DOES NOT NECESSARILY INDICATE AN SPC DIMENSION. THIS DRAWING HAS 7 SNOWCONES.
  - SEE ESO-1505 FOR PACKAGING REQUIREMENTS.
  - PIN SOLDERABILITY - SEE ESO-1503.
  - SEE ESA-645-A FOR PERFORMANCE SPECIFICATIONS.
  - MATING FEMALE CONNECTOR - SEE CHART.
  - SEE CHART FOR MATING COMPONENT.
  - THIS PART IS CONTROLLED FOR AUTOMATIC FEEDING AS DENOTED ON THE DRAWING WITH A "▲".
  - THIS PART ACCEPTS CPA 12077899 OR EQUIVALENT.
  - SEALING CODE 0.
  - THIS FEATURE CONTROL FRAME TO BE VERIFIED BY GAGING ONLY.
  - THESE DIMENSIONS TO BE MEASURED FROM DATUM H-J AT DATUM A  
Y MIN = BASIC  $\phi$  + 2.51 -0.84  
Y MAX = BASIC  $\phi$  + 2.51 +0.84

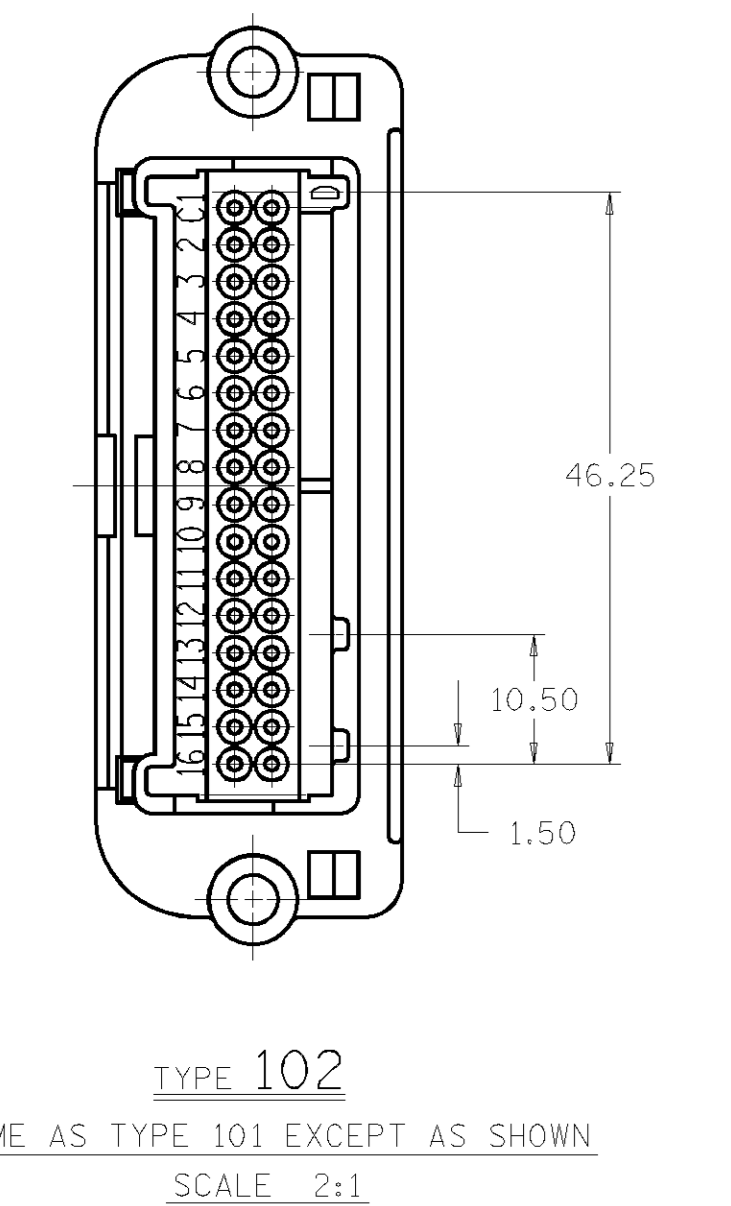
THE FOLLOWING ITEMS APPLY UNLESS OTHERWISE SPECIFIED:  
FOR FEATURES-OF-SIZE, PERFECT STRAIGHTNESS NOT REQUIRED AT MMC FOR CYLINDRICAL FEATURES, ROUNDNESS MUST BE WITHIN THE MMC AND MAXIMUM MATERIAL CONDITION REQUIREMENT. THE SURFACES APPLY AT MMC. OTHER GEOMETRIC TOLERANCES, AND RELATED SURFACES, APPLY UNLESS SEPARATE TYPING CALLOUTS MAY BE GAGED SEPARATELY, REGARDLESS OF DATUM REFERENCE.

FILE SPEC	THIRD ANGLE PROJECTION	SYMBOLS	UNIT
6900	ISO	MM	MM
DATE 17N089	SCALE 1:1	DATE 030909	DATE 030909
EST. NO.	SCALE	DATE	DATE
REFERENCE NO.	SCALE	DATE	DATE
MATERIAL SPEC.	SCALE	DATE	DATE

CONN.	ASM.	REV.	STATUS	TYPE	CONNECTOR	TERMINALS	MATING CONN.	TYPICAL TERMINAL FOR FEMALE CONNECTOR
12129856	A		102		12110324 POLYESTER LT BLUE	12077897	12084179	12110207
12110323	C		102		12110324 POLYESTER LT BLUE	12065445	12065444	12110207
12110225	C	OBSOLETE	101		12110227 POLYESTER PINK	12065445	12110245	12089660

PART NO.	SIZE
1211 0224	R

PACKARD ELECTRIC DIVISION  
General Motors Corporation



## X-ON Electronics

Largest Supplier of Electrical and Electronic Components

*Click to view similar products for [Automotive Connectors](#) category:*

*Click to view products by [APTIV](#) manufacturer:*

Other Similar products are found below :

[003-018-000](#) [60403001](#) [60993906-B](#) [629515004020001](#) [M902-2131](#) [M902-2161](#) [72.330.1035.1](#) [73.353.4028.0](#) [F119300-B](#) [F166900](#)  
[F258300-B](#) [F358300-B](#) [F407400](#) [F444110](#) [F487000](#) [F509500B-B](#) [827153-1](#) [8N1515-32-24P](#) [9-1326729-8](#) [925474-1](#) [928905-1](#) [964562-4](#)  
[968782-1](#) [GT17SA-8DS-HU](#) [98891-1012](#) [98947-1016](#) [12004475-L](#) [12010290](#) [12010309-B](#) [12015454](#) [12020219-B](#) [12020308](#) [12041318-B](#)  
[12052225-L](#) [12052466](#) [12059125](#) [12064869](#) [12004327-B](#) [12010503-B](#) [12015308](#) [12015384](#) [12015909](#) [1-21030-1](#) [12041254](#) [12041318](#)  
[12047946-B](#) [12047957](#) [12047957-L](#) [12059473](#) [12066261](#)