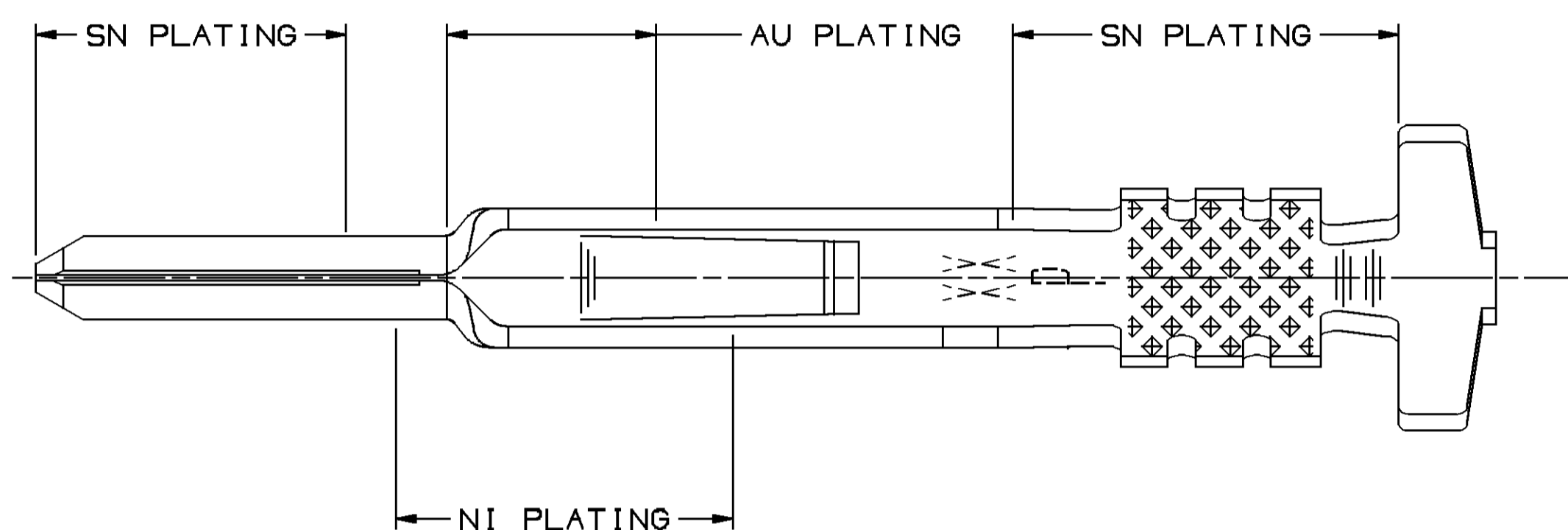
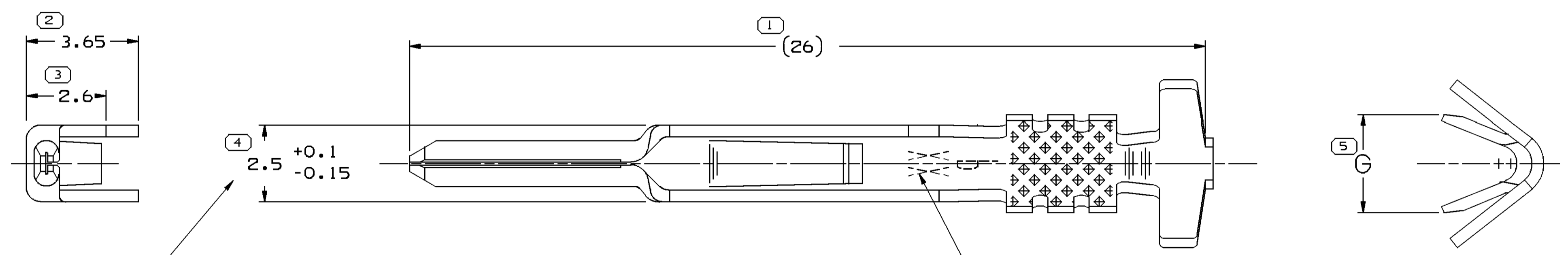


15383048 & 12160811
PLATING LOCATION DETAIL



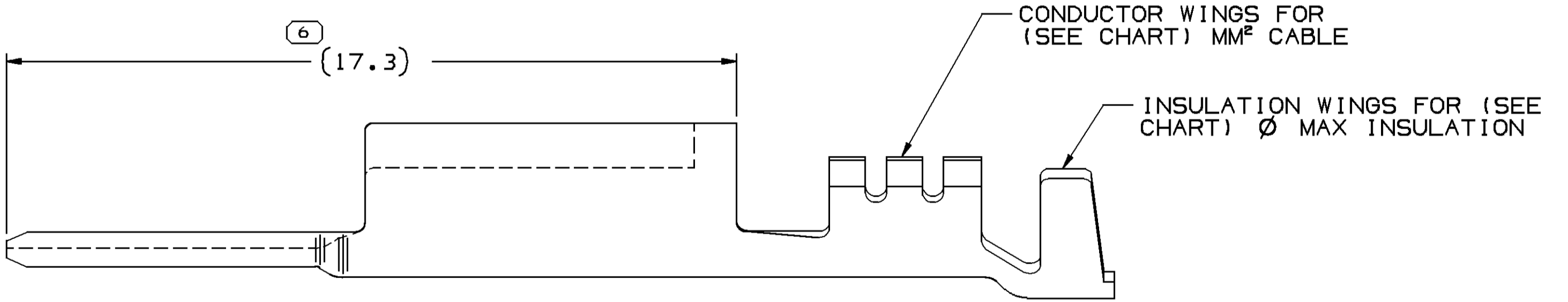
12110502
PLATING LOCATION DETAIL



THIS WIDTH MUST BE MAINTAINED FOR A MINIMUM DISTANCE OF 8.8 FROM THE FRONT OF THE BOX TO THE BACK OF THE STOP TO LOCK FEATURE

STAMP I.D. "PXX" IN THIS AREA (0.6) CHARACTERS XX DESIGNATES DIE NUMBER LOCATION IS APPROXIMATE.

TYPE 101



NOTES

- UNLESS OTHERWISE SPECIFIED AND/OR INDICATED:
DIMENSIONS ARE TO FACE OF VIEW SHOWN AND AUTOMATICALLY ROUNDED BY COMPUTER FOR INSPECTION (SEE MATH MODEL FOR PRECISE DIMENSIONS). FOR ALL OTHER DIMENSIONS NOT SHOWN BUT REQUIRED FOR TOOL BUILD, SEE MATH MODEL FOR PRECISE TOOL PATH DATA.
- REFERENCE MATING COMPONENTS OR EQUIVALENT:
TERMINAL 12047767
- NO CHANGE IS TO BE MADE TO THIS PART WITHOUT IFG AUTHORIZATION (P/N 12110502 ONLY).

PART NO	REV	N/P	STATUS	MAT'L SIZE	MAT'L SPEC	SIZE (MM²)	ID	DIA	TYPE
15383048	01	AH		0.381 X 34.52	TIN BRASS ALLOY GOLD, TIN & NICKEL ELECTROPLATE	0.35- 0.5	21	2.4-1.47	301 2.4
12160811	C9	-		0.381 X 34.52	TIN BRASS ALLOY GOLD, TIN & NICKEL ELECTROPLATE	0.5 - 0.8	19	2.4-1.84	301 3.2
12110502	D9	-		0.381 X 34.52	TIN BRASS ALLOY GOLD, TIN & NICKEL ELECTROPLATE	0.5 - 0.8	19	2.4-1.84	301 3.2
PLATED						CABLE			

SYMBOL DEFINITION		MISSING SYMBOLS	
A DIMENSION WITHOUT AN INSPECTION REPORT SYMBOL DOES NOT REQUIRE INSPECTION. IT MAY BE CONTROLLED ON THE INDIVIDUAL COMPONENT DRAWING.		TOTAL NO OF INSPECTIONS REQUIRED	6
		LAST NO. USED	6
		NO MISSING SYMBOL NUMBER	

DWG STATUS					REVISION HISTORY				
DATE	STG	REV	N/P	CHG	AUTH	DR	APVD1	APVD2	
30NO99	R	01	-	-	ALL PARTS - REDRAWN TO PD	196871	GMC	GMC	06
30NO99	R	02	-	-	15383048 - RELEASED	990005	GMC	GMC	06
19NO03	R	03	-	-	ALL PARTS - UPDATED CHART "G" WAS "A"	247796	LOA	FKV	RD
10NO04	-	04	-	-	ALL PARTS - UPDATED MAT'L SPEC CALLOUT	261173	JS	JS	B6
30MR05	R	05	-	-	ALL PARTS - TOLERANCE ON DIM #5 WAS ±0.1	265258	LMB	LMB	MM
16AU05	R	06	-	-	ALL PARTS - ADDED STAMP I.D. LABEL	270616	RTV	FRG	MKM
15JA09	R	07	-	-	ALL ACTIVE PARTS - ADDED LABEL AND DIM 2.5 +0.1/-0.15 WAS 2.5 ±0.1	407112	SCR	ECB	GEM
10DE09	R	08	-	-	ALL PARTS - REFERENCE MATING TERMINAL WAS 12047776	409633	DGL	DGL	GEM
31MY10	R	09	-	-	ALL PARTS - UPDATED PDM ATTRIBUTES	410934	MAB	JAA	GEM
21JL10	R	10	-	-	ALL PARTS - ADDED PLATING INFORMATION	411388	AHY	DMC	GEM

DWG TYPE		PART DRAWING	
STYLE			
VOLUME (C/P)	DISTR CODE		
UNLESS OTHERWISE SPECIFIED			
THIS DOCUMENT IS IN ACCORDANCE WITH ASME Y14.5M-1994 AS AMENDED BY THE 0M GLOBAL DIMENSIONING AND TOLERANCING ADDENDUM - 1997. ALL GEOMETRIC TOLERANCES AND RELATED DATUMS APPLY RFS. RULE #1 (PERFECT FORM AT MMPI) DOES NOT APPLY WHEN RELATIONSHIP BETWEEN FEATURES IS ESTABLISHED BY ORIENTATION OR LOCATION TOLERANCES. SEPARATE POSITION CALLOUTS MAY BE GAGED SEPARATELY, REGARDLESS OF DATUM REFERENCE. ALL DIMENSIONS ARE IN MILLIMETERS			
REFERENCE			
THIRD ANGLE PROJECTION	DO NOT SCALE		
USE MATH DATA			

DELPHI
DELPHI PACKARD ELECTRICAL/ELECTRONIC ARCHITECTURE
WARREN, OH

DR	DATE
APVD1 H. CASTRILLON	08MY97
APVD2 J. VAZQUEZ	12MY97
APVD3 R. LANDRIES	12MY97
APVD4	
APVD5	

SUBSTANCES OF CONCERN AND RECYCLED CONTENT PER DELPHI 10949001

MATERIAL SEE CHART

DRAWING NAME TAXI TERM M/M/P 150

DRAWING NUMBER 12040995

SIZE	SCALE	FRAME NO	SHEET NO	STG	REV	N/P
A1	10:1	1 OF 1	3 OF 3	R	10	-

X-ON Electronics

Largest Supplier of Electrical and Electronic Components

Click to view similar products for [Automotive Connectors](#) category:

Click to view products by [APTIV](#) manufacturer:

Other Similar products are found below :

[003-018-000](#) [60403001](#) [60993906-B](#) [629515004020001](#) [M902-2131](#) [M902-2161](#) [72.330.1035.1](#) [73.353.4028.0](#) [F119300-B](#) [F166900](#)
[F258300-B](#) [F358300-B](#) [F407400](#) [F444110](#) [F487000](#) [F509500B-B](#) [827153-1](#) [8N1515-32-24P](#) [9-1326729-8](#) [925474-1](#) [928905-1](#) [964562-4](#)
[968782-1](#) [GT17SA-8DS-HU](#) [98891-1012](#) [98947-1016](#) [12004475-L](#) [12010290](#) [12010309-B](#) [12015454](#) [12020219-B](#) [12020308](#) [12041318-B](#)
[12052225-L](#) [12052466](#) [12059125](#) [12064869](#) [12004327-B](#) [12010503-B](#) [12015308](#) [12015384](#) [12015909](#) [1-21030-1](#) [12041254](#) [12041318](#)
[12047946-B](#) [12047957](#) [12047957-L](#) [12059473](#) [12066261](#)