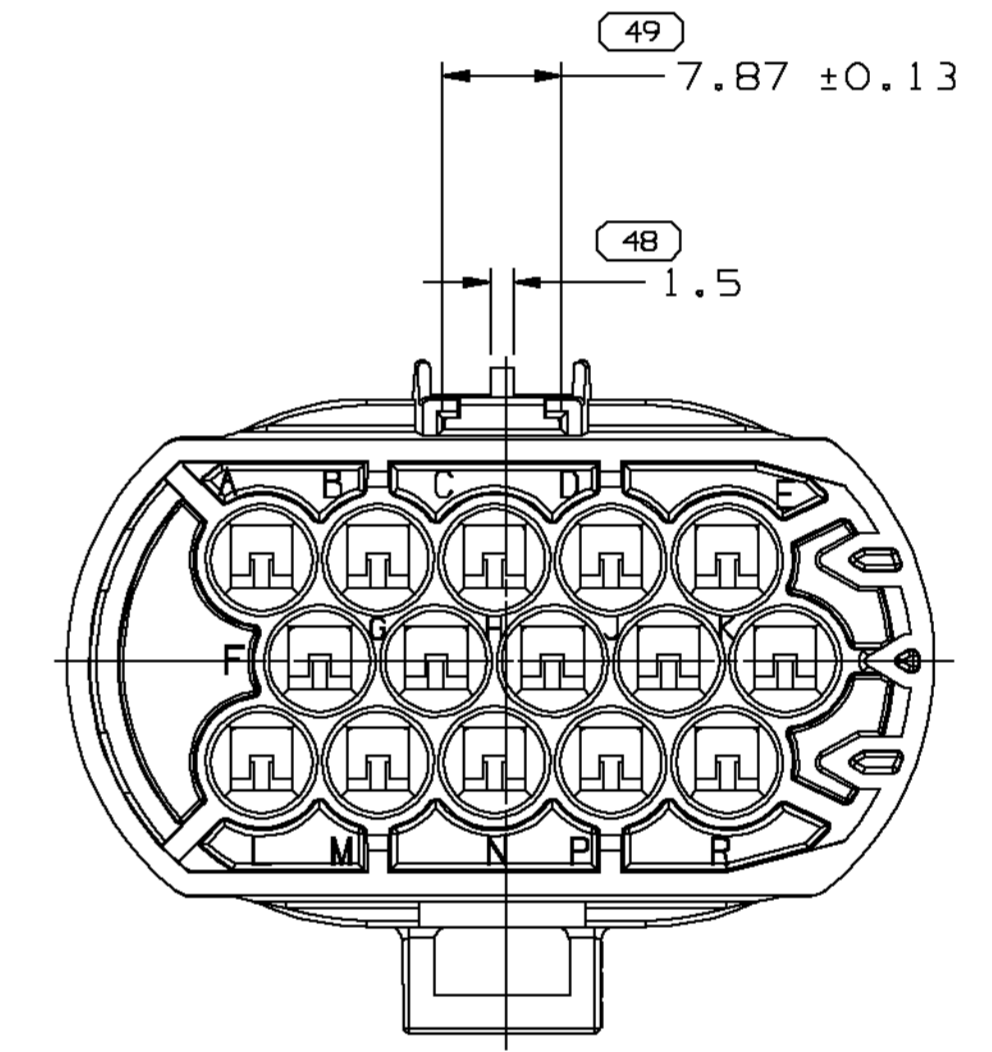
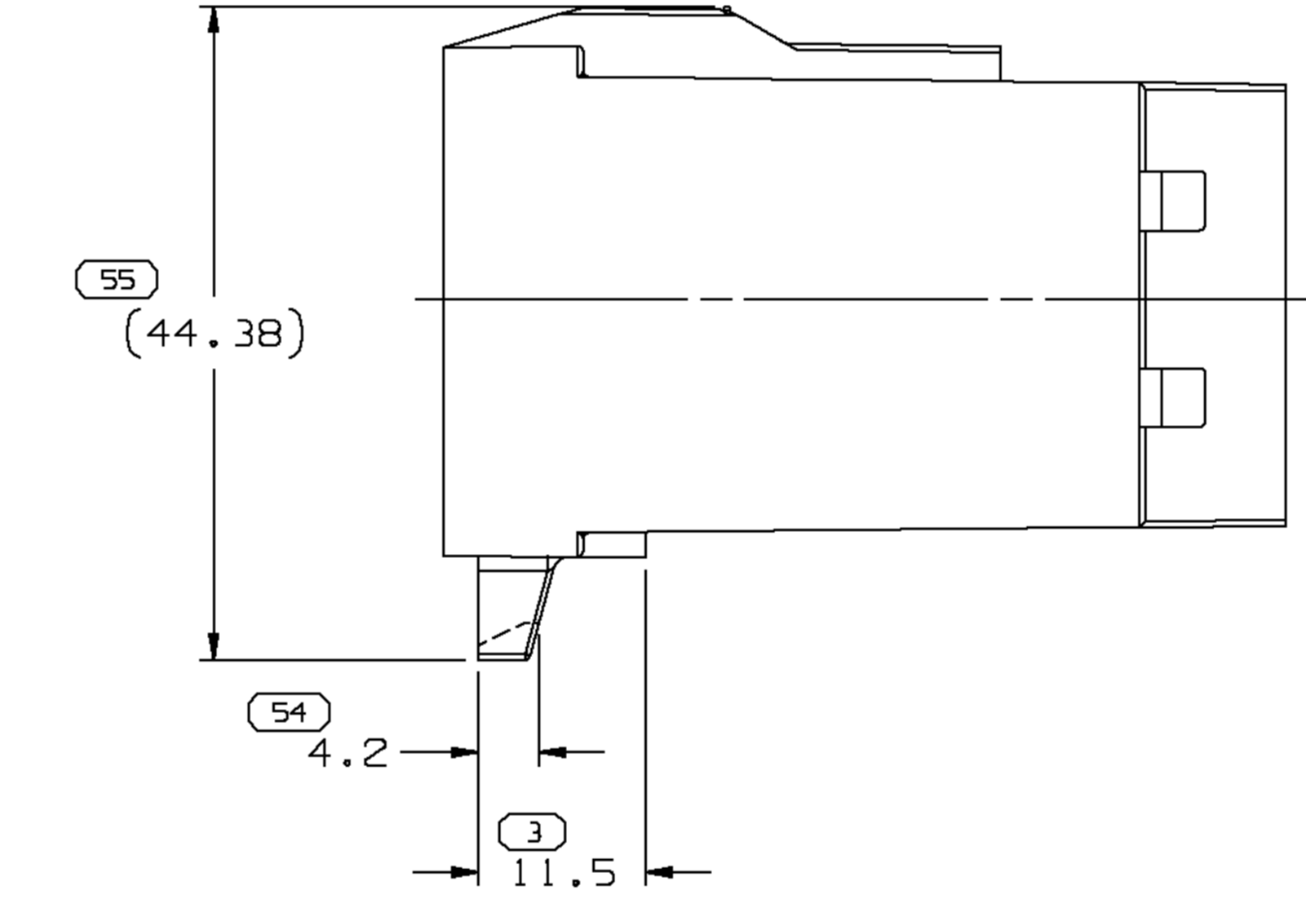
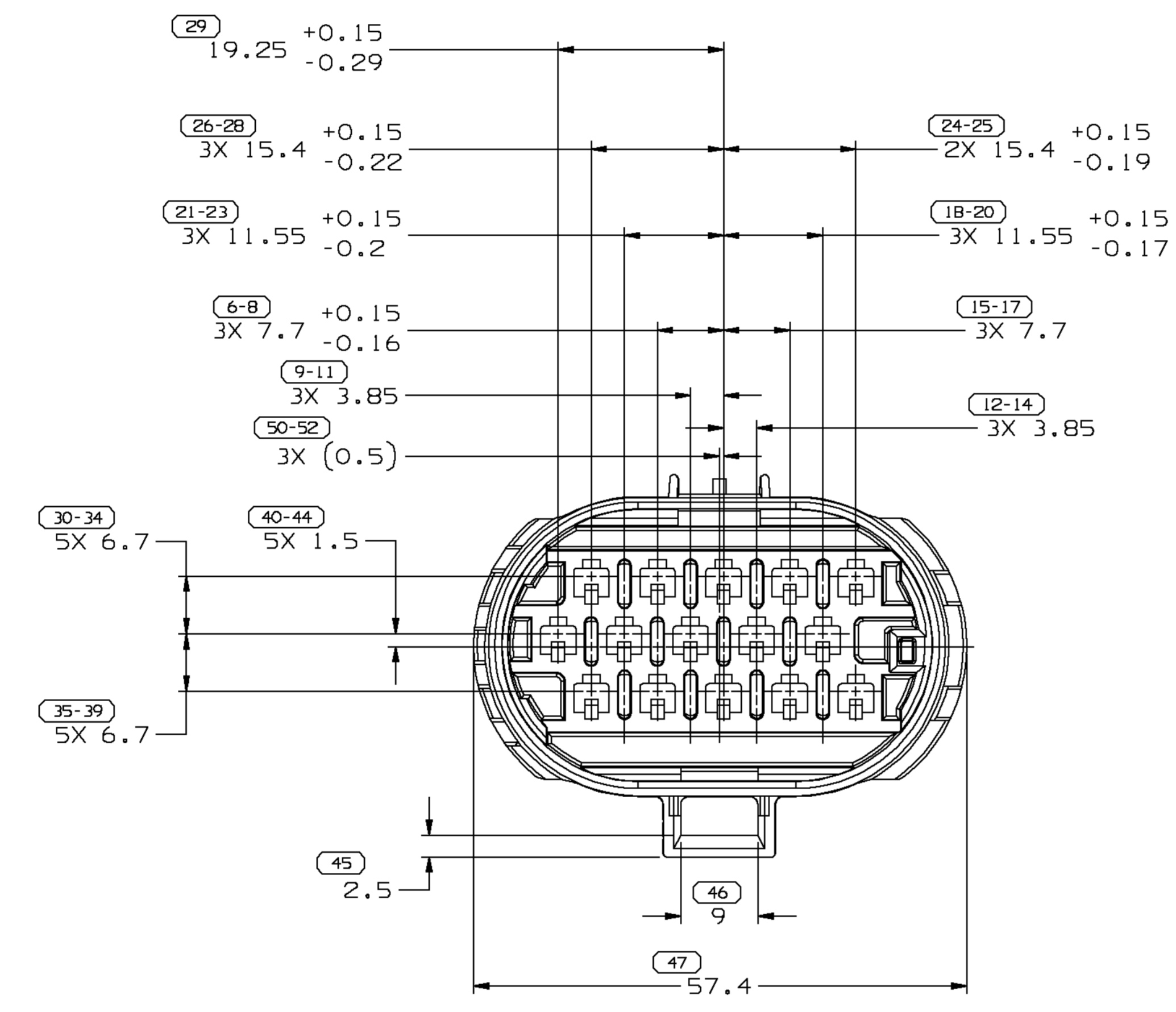
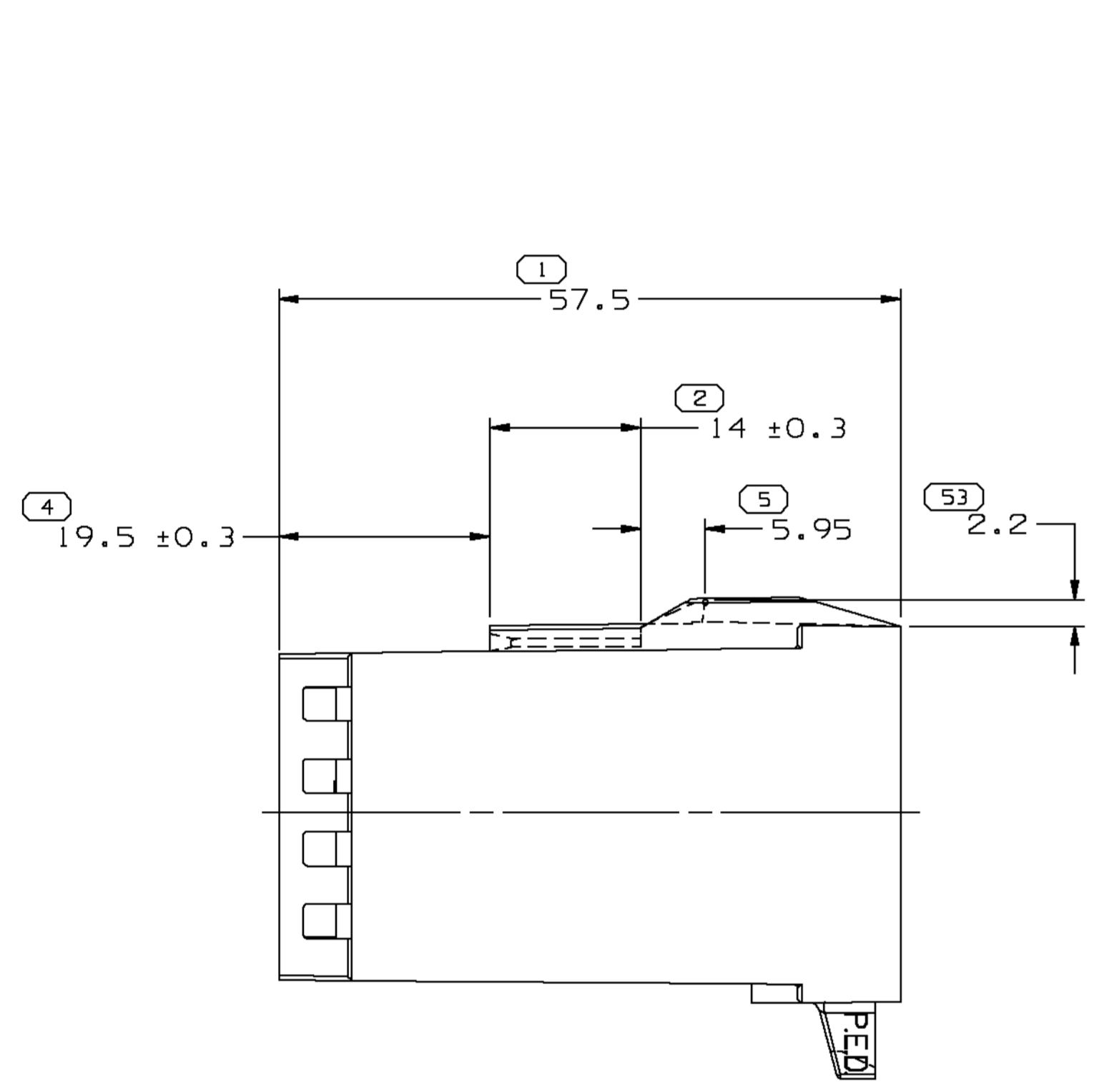
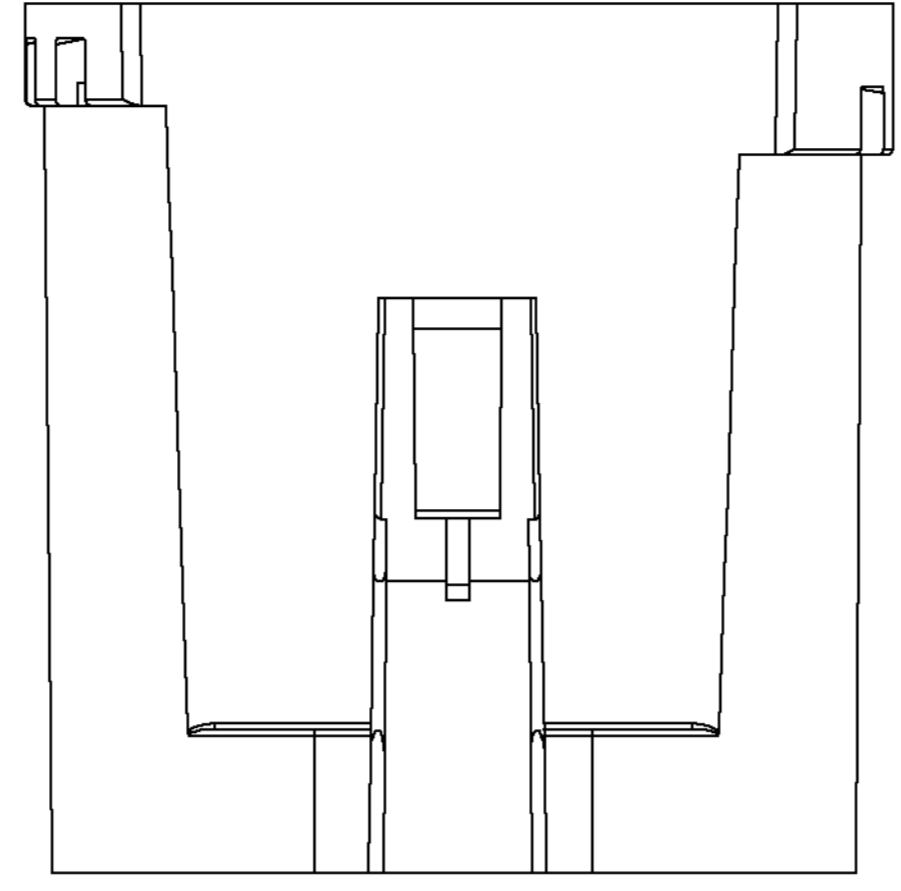


DELPHI PACKARD ELECTRIC SYSTEMS
ANN ARBOR, OHIO 44882

SYMBOL DEFINITION		MISSING NUMBERS		DATE	SYM	REVISION RECORD	AUTH	DR	CK
THE NUMBER INSIDE THE SYMBOL CORRESPONDS TO THE NUMBER ON THE INSPECTION REPORT FOR THIS DRAWING/PART NUMBER	TOTAL NO. OF SYMBOLS ON DRAWING	26		15NO00	H1	REDRAWN TO PD & REVISED			
	LAST NO. USED	55				REVISION			202240JGHRMC

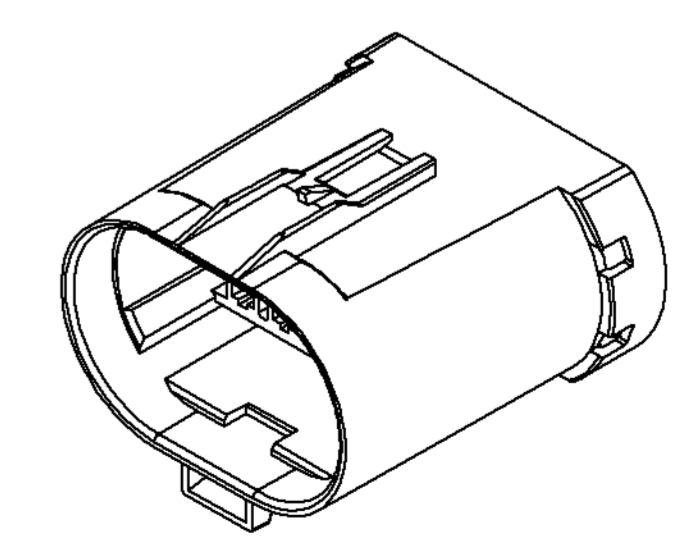


PART NO
12110781

PART NO
12110781

NOTES

- UNLESS OTHERWISE SPECIFIED AND/OR INDICATED: DIMENSIONS ARE TO FACE OF VIEW SHOWN AND AUTOMATICALLY ROUNDED BY COMPUTER FOR INSPECTION (SEE MATH MODEL FOR PRECISE DIMENSIONS). FOR ALL OTHER DIMENSIONS NOT SHOWN BUT REQUIRED FOR TOOL BUILD, SEE MATH MODEL FOR PRECISE TOOL PATH DATA.
- SEALING CODE 3 - DESIGN WILL PASS SALT FOG AND IMMERSION TEST AFTER CONDITIONING AS SPECIFIED IN ESA-644 (WEATHER-PACK), ESA-710 (METRI-PACK), ESA-650 (UNDERHOOD MICRO-PACK), C-4006 (WORLD CONNECTOR), ETC WHEN MATED TO MATING PART OR EQUIVALENT
- MATING COMPONENTS OR EQUIVALENT:
CONNECTOR 12110780
SEAL ASSEMBLY 12110779
- THIS PART ACCEPTS THE FOLLOWING COMPONENTS OR EQUIVALENT:
TERMINAL 12040559
SECONDARY TERMINAL LOCK 12110782
MAX CABLE O.D. 3.85
CABLE SEAL
SEE 12010295 DETAIL DRAWING FOR COMPATIBLE O.D. RANGE
CONNECTOR POSITION ASSURANCE LOCK 12052834



PART DRAWING		THIRD ANGLE PROJECTION	
Ugraphics			
CODE NO 6900	QC	METRIC DIMENSIONS ARE IN MILLIMETERS UNLESS OTHERWISE SPECIFIED	
DWG DATE 25MY90	SCALE 2:1	DES B. MADISON 15MR91	DR B. MADISON 15MR91
REFERENCE NO 001, 701		CK B. HAMILLL 25MR91	APPR. PETROSKY 25MR91
		VOL. CM 30.564	

MATERIAL SPEC		NAME	
R0071713 PA66 GF14 HS 1M-BLK		CONN 15M M/P 280 SLD	
PART NUMBER 12110781		SIZE AO	

DIMENSIONAL RANGE	
FROM	TO
0	> 20
> 20	> 30
> 30	> 70
> 70	> 100
TOLERANCE UNLESS OTHERWISE SPECIFIED:	
[+0.15] ± 0.2 [± 0.3] ± 0.4 [± 0.5]	
ANGULAR TOLERANCE ± 2'	

X-ON Electronics

Largest Supplier of Electrical and Electronic Components

Click to view similar products for [Automotive Connectors](#) category:

Click to view products by [APTIV](#) manufacturer:

Other Similar products are found below :

[003-018-000](#) [60403001](#) [60993906-B](#) [M902-2131](#) [M902-2161](#) [72.330.1035.1](#) [73.353.4028.0](#) [F119300-B](#) [F166900](#) [F258300-B](#) [F358300-B](#)
[F407400](#) [F444110](#) [F487000](#) [F509500B-B](#) [827153-1](#) [8N1515-32-24P](#) [9-1326729-8](#) [925474-1](#) [928905-1](#) [964562-4](#) [968782-1](#) [GT17SA-8DS-](#)
[HU](#) [98891-1012](#) [98947-1016](#) [12004475-L](#) [12010290](#) [12010309-B](#) [12015454](#) [12020219-B](#) [12020308](#) [12041318-B](#) [12052225-L](#) [12052466](#)
[12059125](#) [12064869](#) [12004327-B](#) [12010503-B](#) [12015308](#) [12015384](#) [12015909](#) [1-21030-1](#) [12041254](#) [12041318](#) [12047946-B](#) [12047957](#)
[12047957-L](#) [12059473](#) [12066261](#) [12110546](#)