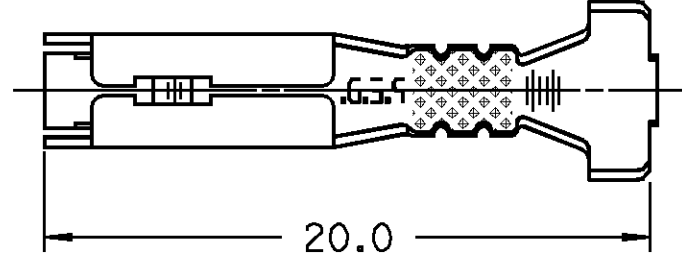


D

THIS DRAWING AND DESIGN HEREON CONSTITUTES A PROPRIETARY DESIGN OF PACKARD ELECTRIC DIVISION AND IS NOT TO BE DUPLICATED OR REPRODUCED WITHOUT AUTHORITY OF PACKARD ELECTRIC DIVISION.

DO NOT SCALE

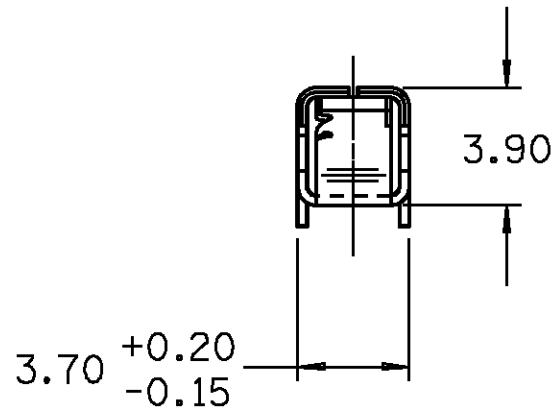
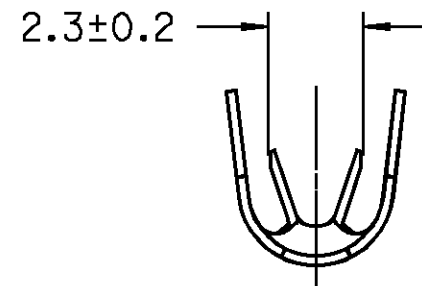
PART NO. 1211 0846



PACKARD ELECTRIC DIVISION  
GENERAL MOTORS CORPORATION  
WARREN, OHIO

CONDUCTOR WINGS FOR  
0.5 - 0.35 MM<sup>2</sup> CABLE

INSULATION WINGS FOR  
2.19 - 1.47 INSULATION DIAMETER



NOTE - MATING TERMINAL 12048159 OR EQUIVALENT.

DATE	SYM	REVISION RECORD	AUTHORITY	DR	CK
26MR91	D	RELEASED	910005	BKD	BKD
06MY91	E	ADDED TABS 2 PLCS	141852	BAR	BAR
01JL91	F	REVISED GRAPHICS	143053	BKD	BKD
02FE92	G	REVISION LEVEL ADVANCED	147002	WHP	HH
12JL93	H	REVISION LEVEL ADVANCED	156472	TEB	TEB
30JL96	—	REVISED DETAIL - NO REV UPDATE REQ'D FOR P.I.D.	173849	HH	HH

PED/INTEGRAL EMS		FILE SPEC: ****USER**** DGN SPECIFICATION***** ****SYTIME*****
THIRD ANGLE PROJECTION		METRIC DIMENSIONS ARE IN MILLIMETERS UNLESS OTHERWISE SPECIFIED.
CODE NO. 6900	TOLERANCE UNLESS OTHERWISE SPECIFIED DECIMAL:           ANGULAR ± 2° ONE PLACE ± 0.3 TWO PLACE ± 0.15	
Q.C.	DR. BRIAN K. DEW                           26MR91	
DWG. DATE 26MR91	SCALE NONE	CK. BRIAN K. DEW                           DATE 26MR91
EST. NO.	REFERENCE NO. 12110848 "D" SIZE	APPR. AL HERRMANN                   DATE 27MR91 APPR. R. A. PETROSKY               DATE 27MR91
MATERIAL SPEC. 0.32 THK. CA425 BRASS		
NAME TERM F M/P 280 SEALED TANGLESS		
PART NO. 1211 0846 OUTLINE DRAWING	SIZE B	

## X-ON Electronics

Largest Supplier of Electrical and Electronic Components

*Click to view similar products for [Automotive Connectors](#) category:*

*Click to view products by [APTIV](#) manufacturer:*

Other Similar products are found below :

[003-018-000](#) [60403001](#) [60993906-B](#) [629515004020001](#) [M902-2131](#) [M902-2161](#) [72.330.1035.1](#) [73.353.4028.0](#) [F119300-B](#) [F166900](#)  
[F258300-B](#) [F358300-B](#) [F407400](#) [F444110](#) [F487000](#) [F509500B-B](#) [827153-1](#) [8N1515-32-24P](#) [9-1326729-8](#) [925474-1](#) [928905-1](#) [964562-4](#)  
[968782-1](#) [GT17SA-8DS-HU](#) [98891-1012](#) [98947-1016](#) [12004475-L](#) [12010290](#) [12010309-B](#) [12015454](#) [12020219-B](#) [12020308](#) [12041318-B](#)  
[12052225-L](#) [12052466](#) [12059125](#) [12064869](#) [12004327-B](#) [12010503-B](#) [12015308](#) [12015384](#) [12015909](#) [1-21030-1](#) [12041254](#) [12041318](#)  
[12047946-B](#) [12047957](#) [12047957-L](#) [12059473](#) [12066261](#)