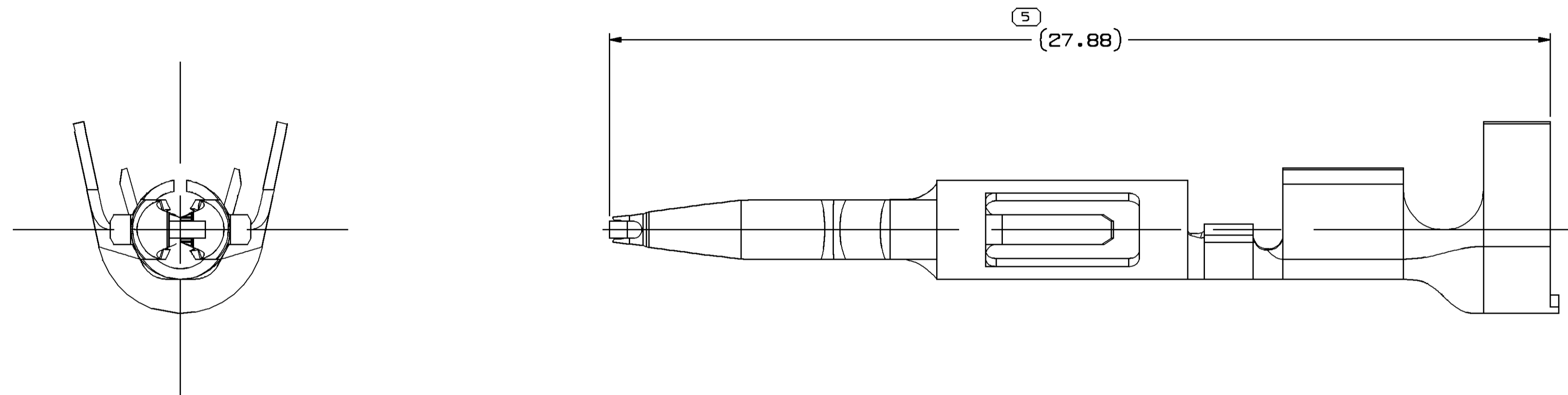
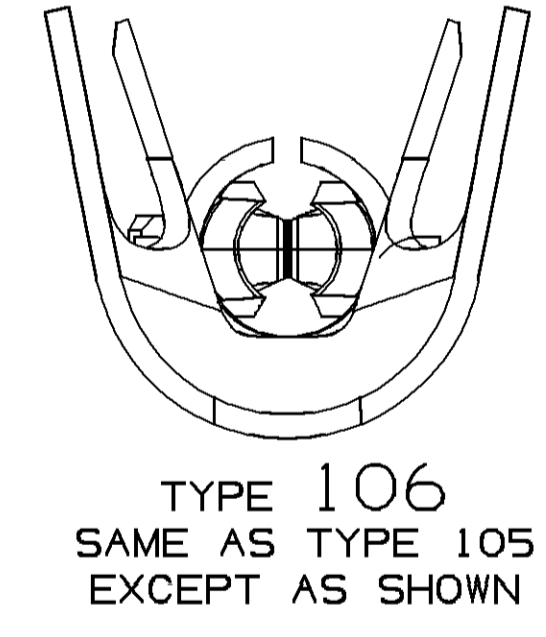
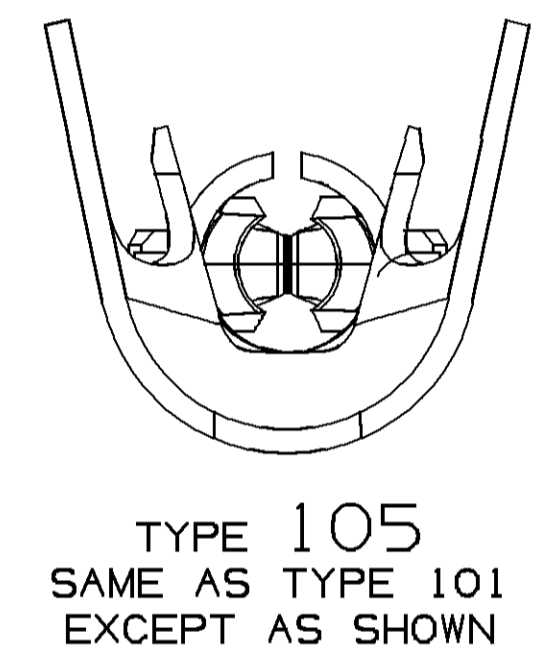
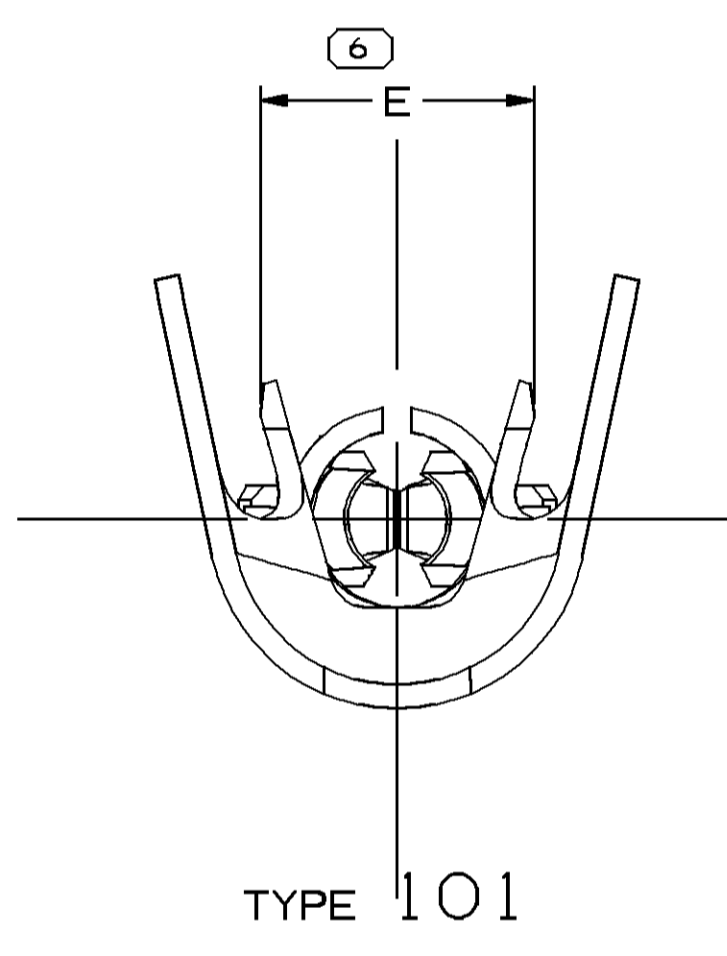
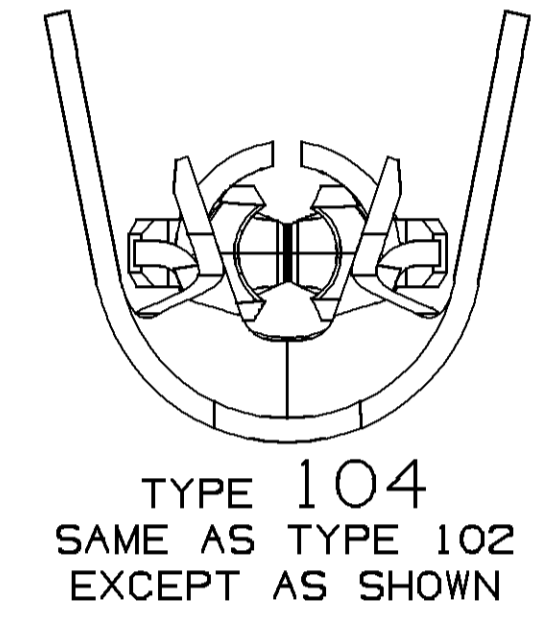
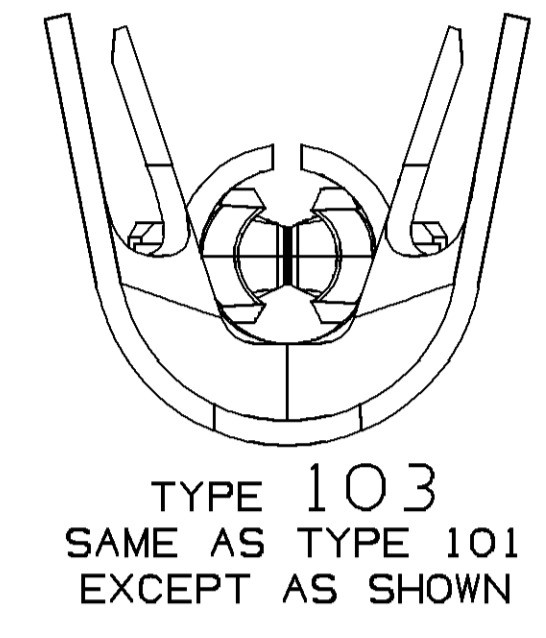
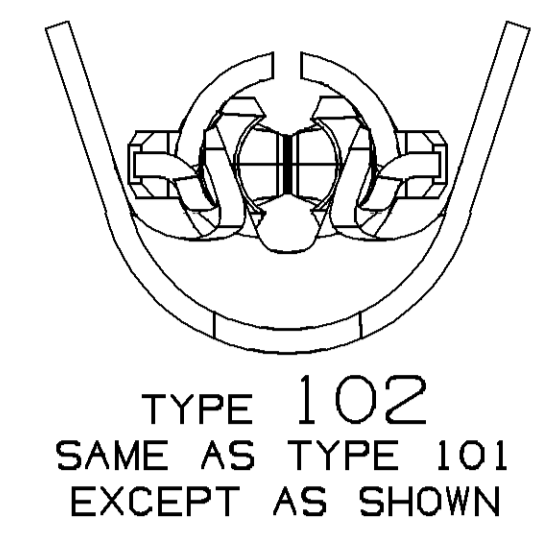
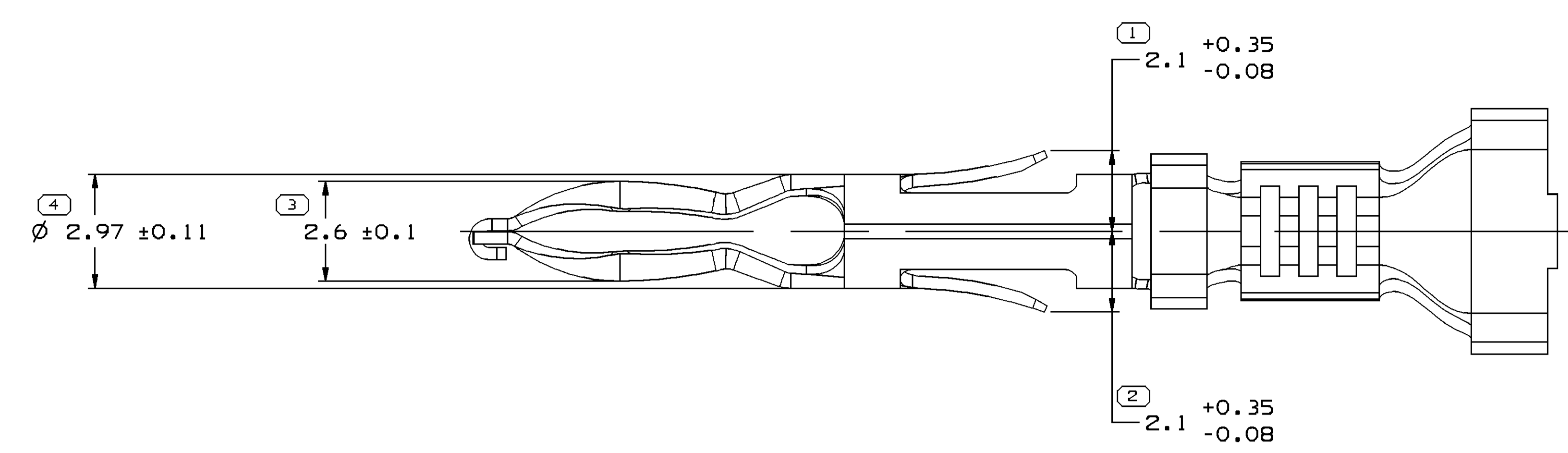


SYMBOL DEFINITION		TOTAL NO OF INSPECTIONS REQUIRED	MISSING SYMBOLS
A DIMENSION WITHOUT AN INSPECTION REPORT SYMBOL DOES NOT REQUIRE INSPECTION. IT MAY BE CONTROLLED ON THE INDIVIDUAL COMPONENT DRAWING.		6	NO MISSING SYMBOL NUMBER
		LAST NO. USED	6

DWG STATUS				REVISION HISTORY				AUTH	DR	AP/VD	AP/VD
DATE	STG	REV	N/P	CHG	ZONE						
05N003	R	01	-	-	-	ALL PARTS - REDRAWN TO PD				246857	JBR/RCH/JDY
21DE06	R	02	-	-	-	MATERIAL FOR P/N 12146576 AND 12146501 WAS PM3639285 MATERIAL FOR P/N 12124587, 12124582, 12089307, 12089040 WAS P1519285				282294	TMF/TMF/TM



NOTES

- UNLESS OTHERWISE SPECIFIED AND/OR INDICATED: DIMENSIONS ARE TO FACE OF VIEW SHOWN AND AUTOMATICALLY ROUNDED BY COMPUTER FOR INSPECTION (SEE MATH MODEL FOR PRECISE DIMENSIONS). FOR ALL OTHER DIMENSIONS NOT SHOWN BUT REQUIRED FOR TOOL BUILD, SEE MATH MODEL FOR PRECISE TOOL PATH DATA.
- "PXX" INDICATES "P" PLUS LAST TWO DIGITS OF MAKE DIE SERIES NUMBER (PO1, PO2, PO3, ETC).
- TERMINAL DESIGNED FOR 3MM<sup>2</sup> CABLE. TERMINAL IS RATED AT 20 AMPERES. DO NOT EXCEED RATED CURRENT.

DWG TYPE		PART DRAWING	
STYLE		DISTR CODE	D
VOLUME (OPT)		ROUTING	6900
UNLESS OTHERWISE SPECIFIED			
THIS DOCUMENT IS IN ACCORDANCE WITH ASME Y14.5M-1994 AS MODIFIED BY THE IN-SUPPLY DIMENSIONING AND TOLERANCE PRACTICES MANUAL. SEPARATE MATTERS OF FEATURES MAY BE DATED SEPARATELY PER RULES OF DATUM REFERENCES.			
ALL DIMENSIONS ARE IN MILLIMETERS			

(4) PROCESS SENSITIVE DIMENSION		DIMENSIONAL RANGE (MM)		CHART D	
FROM	TO	< 12	> 12		
0	12				
TOLERANCE UNLESS OTHERWISE SPECIFIED					
±0.1		±0.2		ANGULAR TOLERANCE 32°	

THIRD ANGLE PROJECTION		DO NOT SCALE	
USE MATH DATA			

**DELPHI**  
DELPHI PACKARD ELECTRIC SYSTEMS  
WARREN, OH

DR	DATE
APV01 J.GAVALDON	05N003
APV02 R.CHACON	05N003
APV03 J.DEL VAL	07N003
APV04	
APV05	

SUBSTANCES OF CONCERN AND RECYCLED CONTENT PER DELPHI 10949001

MATERIALS SEE CHART

DRAWING NAME  
TAXI TERM M W/P I SEALED TANG

DRAWING NUMBER  
**12010088**

SIZE	SCALE	FRAME NO	SHEET NO	STG	REV	N/P
A0	10:1	11	1	1	02	-

PART NO	STG	REV	N/P	STATUS	MAT'L SIZE	MAT'L SPEC	CABLE SIZE (MM <sup>2</sup> )	MAX. CABLE DIA.	I.D.NO.	TYPE	
12146576	R	B2	-		0.320X36.53	M3639285	0.35-0.22	1.86	23	102	2.20
12146501	R	B2	-		0.320X36.53	M3639285	0.8-0.5	3.11	19	104	3.00
12124587	R	B2	-		0.320X36.53	M1574285	SEE NOTE 3	3.96	11	106	4.60
12124582	R	B2	-		0.320X36.53	M1574285	2.0-1.0	3.96	15	105	3.60
12089307	R	B2	-		0.320X36.53	M1574285	0.35-0.22	1.86	23	102	2.20
12089306	R	B	-	OBSOLETE	0.320X36.53	P-1519285	SEE NOTE 3	3.96	11	103	4.60
12089305	R	B	-	OBSOLETE	0.320X36.53	P-1519285	2.0-1.0	3.96	15	101	3.60
12089040	R	C2	-		0.320X36.53	M1574285	0.8-0.5	3.11	19	104	3.00

## X-ON Electronics

Largest Supplier of Electrical and Electronic Components

*Click to view similar products for [Automotive Connectors](#) category:*

*Click to view products by [APTIV](#) manufacturer:*

Other Similar products are found below :

[003-018-000](#) [60403001](#) [60993906-B](#) [629515004020001](#) [M902-2131](#) [M902-2161](#) [72.330.1035.1](#) [73.353.4028.0](#) [F119300-B](#) [F166900](#)  
[F258300-B](#) [F358300-B](#) [F407400](#) [F444110](#) [F487000](#) [F509500B-B](#) [827153-1](#) [8N1515-32-24P](#) [9-1326729-8](#) [925474-1](#) [928905-1](#) [964562-4](#)  
[968782-1](#) [GT17SA-8DS-HU](#) [98891-1012](#) [98947-1016](#) [12004475-L](#) [12010290](#) [12010309-B](#) [12015454](#) [12020219-B](#) [12020308](#) [12041318-B](#)  
[12052225-L](#) [12052466](#) [12059125](#) [12064869](#) [12004327-B](#) [12010503-B](#) [12015308](#) [12015384](#) [12015909](#) [1-21030-1](#) [12041254](#) [12041318](#)  
[12047946-B](#) [12047957](#) [12047957-L](#) [12059473](#) [12066261](#)