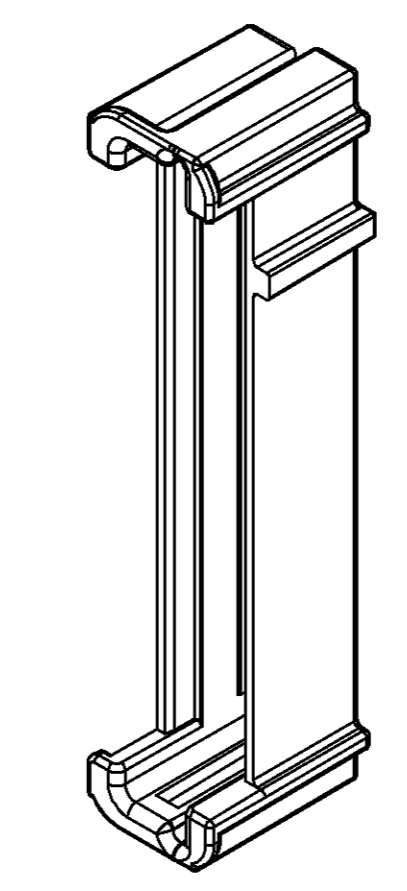
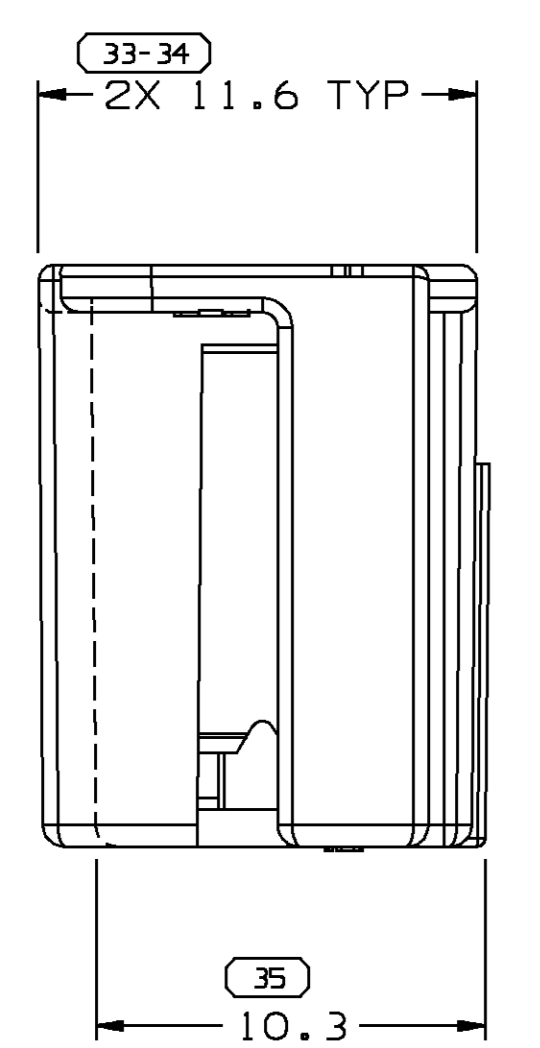
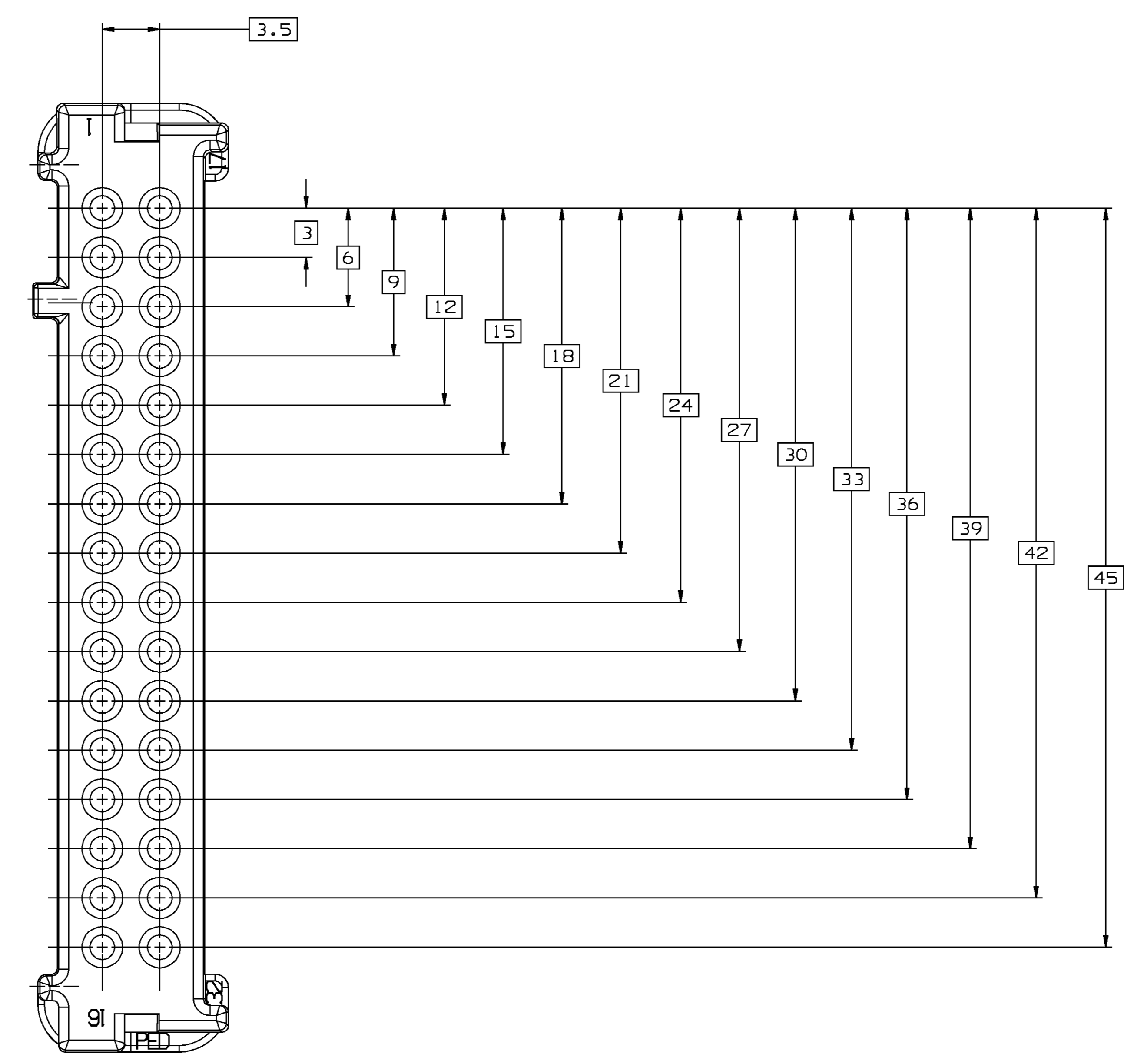
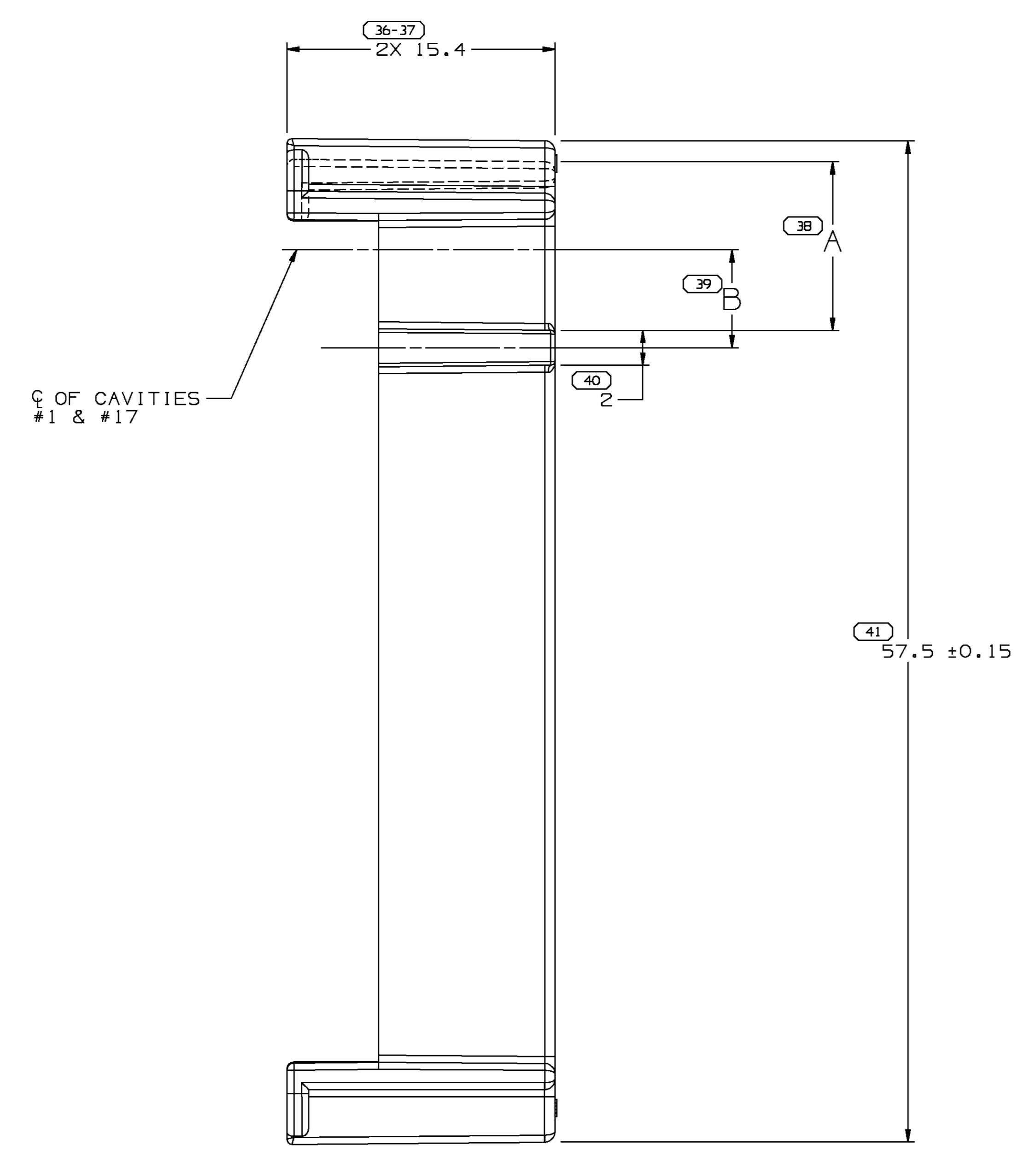
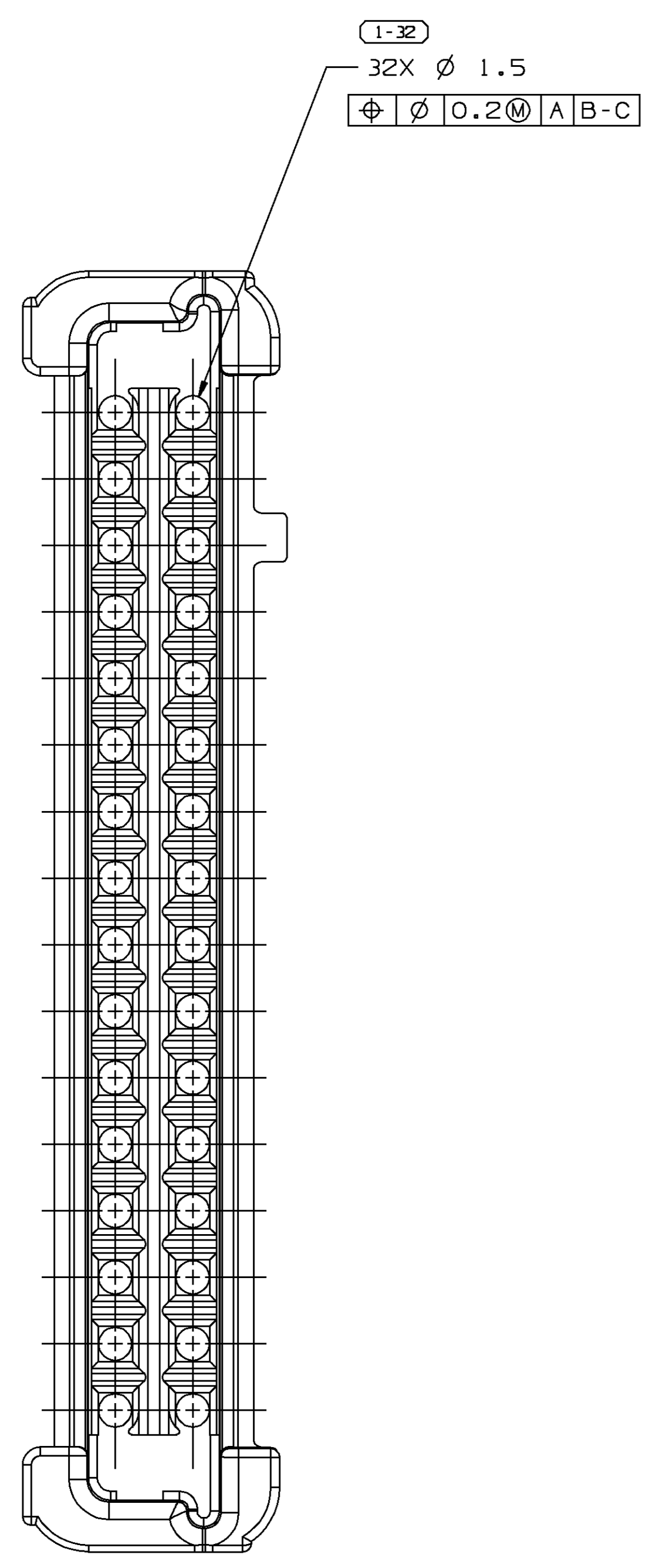


SYMBOL DEFINITION		MISSING NUMBERS	
THE NUMBER INSIDE THE SYMBOL CORRESPONDS TO THE NUMBER ON THE INSPECTION REPORT FOR THIS DRAWING/PART NUMBER	TOTAL NO. OF SYMBOLS ON DRAWING	8	
	LAST NO. USED	41	

DWG STATUS				REVISION HISTORY				AUTH		
DATE	STG	REV	CHG	N/P	ZONE	ALL PARTS - REDRAWN TO PD				
30SE99	R	001	-	-						990009 LMM JWM RJ



VIEW SCALE DOES NOT REFLECT ACTUAL PART SIZE

- NOTES
- UNLESS OTHERWISE SPECIFIED AND/OR INDICATED: DIMENSIONS ARE TO FACE OF VIEW SHOWN AND AUTOMATICALLY ROUNDED BY COMPUTER FOR INSPECTION. (SEE MATH MODEL FOR PRECISE DIMENSIONS.) FOR ALL OTHER DIMENSIONS NOT SHOWN BUT REQUIRED FOR TOOL BUILD, SEE MATH MODEL FOR PRECISE TOOL PATH DATA.
 - MATING COMPONENTS OR EQUIVALENT: CONNECTOR 12129025
 - THIS PART ACCEPTS THE FOLLOWING COMPONENTS OR EQUIVALENT: SEAL 12129026 STRAIN RELIEF 12129028 CAVITIES PLUGS 12129557 TERMINAL 12084912 CPA 12110299

THE FOLLOWING APPLY UNLESS OTHERWISE SPECIFIED:

PERFECT FORM REQUIRED FOR FEATURES OF SIZE AT MMC. TRUE POSITION TOLERANCES, AND RELATED DATUMS, APPLY AT CONDITION OF SIZE INDICATED IN FEATURE CONTROL FRAME, OTHER GEOMETRIC TOLERANCES, AND RELATED DATUMS, APPLY RFS. SEPARATE TRUE POSITION CALLOUTS MAY BE GAGED SEPARATELY, REGARDLESS OF DATUM REFERENCE. SEE GM STANDARDS, AND APPLICABLE DIVISIONAL STANDARDS, FOR INTERPRETATION.

□ FLAT	~ PROFILE OF A LINE	# PARALLEL
— STRAIGHT	⊥ PERPENDICULAR	• TRUE POSITION
○ ROUND	• PROFILE OF A SURFACE	◌ CIRCULAR RUNOUT
# CYLINDRICAL	∠ ANGULAR	∠ TOTAL RUNOUT
⊙ MAXIMUM MATERIAL CONDITION (MMC)	⊙ DIAMETER	⊙ DIAMETER
⊙ LEAST MATERIAL CONDITION (LMC)	⊙ REGARDLESS OF FEATURE SIZE (RFS)	(XX) BASIC DIMENSION
⊙ PROJECTED TOL. ZONE		

PART NO	STG	REV	N/P	STATUS	MATERIAL SPECIFICATION AND COLOR	VOLUME	A	B	MATING HEADER CONN. ASSEMBLY
12129024	R	C2	-		PM002060 003 PC-RED TRANSPARENT	2.504	43.41±0.15	39.36±0.15	12129009 OR 12129019
12129023	R	C2	-		PM002060 006 PC-BLU MD TRANSPARENT	2.504	39.2±0.15	35.15±0.15	12129008 OR 12129018
12129022	R	C2	-		PM002060 002 PC-CLR TRANSPARENT	2.504	26.55±0.15	22.5±0.15	12129007 OR 12129017
12129021	R	D2	-		PM002060 014 PC-BLK TRANSPARENT	2.504	9.69	5.64	12129006 OR 12129016

DELPHI
Automotive Systems

MATERIAL SPEC	SEE CHART	DIMENSIONAL RANGE (MM) CHART	FROM TO	0 TO 20	> 20 TO 30	> 30 TO 70	> 70 TO 100
TOLERANCE UNLESS OTHERWISE SPECIFIED				±0.15	±0.2	±0.3	±0.4
ANGULAR TOLERANCE				± 2			

PART DRAWING

CODE NUMBER	DWG DATE	SCALE	DISTR CODE
6901	30SE99	5:1	D
OC SPEC	STYLE	VOLUME cm ³	SEE CHRT

PART GEOMETRY
3D SOLID

UNLESS OTHERWISE SPECIFIED:
 PERFECT FORM REQUIRED FOR FEATURES OF SIZE AT MMC. TRUE POSITION TOLERANCES AND RELATED DATUMS APPLY AT CONDITION OF SIZE INDICATED IN FEATURE CONTROL FRAME. ALL OTHER GEOMETRIC TOLERANCES AND RELATED DATUMS APPLY RFS. SEPARATE TRUE POSITION CALLOUTS MAY BE GAGED SEPARATELY, REGARDLESS OF DATUM REFERENCE.

CHANGE RESTRICTED
NO MANUAL CHANGES

COPY OF MATH DATA DO NOT SCALE	REFERENCE	DR	DATE
	001,701	APVD1 L. MACIAS	30SE99
		APVD2 J. VILLAMIL	30SE99
		APVD3 CHRIS REIDER	05AP91
		APVD4 R. J. POLEHONKI	08AP91

METRIC UNLESS OTHERWISE SPECIFIED. ALL DIMENSIONS ARE IN MILLIMETERS

THIRD ANGLE PROJECTION

DRAWING NAME: TAXI RETAINER F MIC/P 100W

SHEET NUMBER	DRAWING NUMBER	DWG STATUS	SIZE
1 OF 1	12129020	R 001	A0

(41) PROCESS SENSITIVE DIMENSION

DIMENSIONS ENCLOSED IN () INDICATE REFERENCE DIMENSIONS AND NO TOLERANCE LIMITS ARE ESTABLISHED

X-ON Electronics

Largest Supplier of Electrical and Electronic Components

Click to view similar products for [Automotive Connectors](#) category:

Click to view products by [APTIV](#) manufacturer:

Other Similar products are found below :

[003-018-000](#) [60993906-B](#) [M902-2161](#) [M902-2344](#) [72.330.1035.1](#) [73.353.4028.0](#) [F166900](#) [F358300-B](#) [F407400](#) [776880-1](#) [827153-1](#)
[8N1515-32-24P](#) [9-1326729-8](#) [925474-1](#) [928905-1](#) [964562-4](#) [968782-1](#) [98891-1012](#) [12004475-L](#) [12041318-B](#) [12052466](#) [12064869](#)
[12015909](#) [1-21030-1](#) [12041318](#) [12047946-B](#) [12047957](#) [12110546-B](#) [12131792](#) [12092346](#) [HD34-18-14PT](#) [HD46-24-23SN-059](#)
[HDB36-24-16PN-059](#) [12185550](#) [12147304](#) [13681974](#) [13755420](#) [13783086](#) [13830674](#) [13832576](#) [13542772](#) [1393425-2](#) [13964573](#) [13846842](#)
[13869383](#) [13873308](#) [13953995](#) [1428188-1](#) [1437287-3](#) [1438231-5](#)