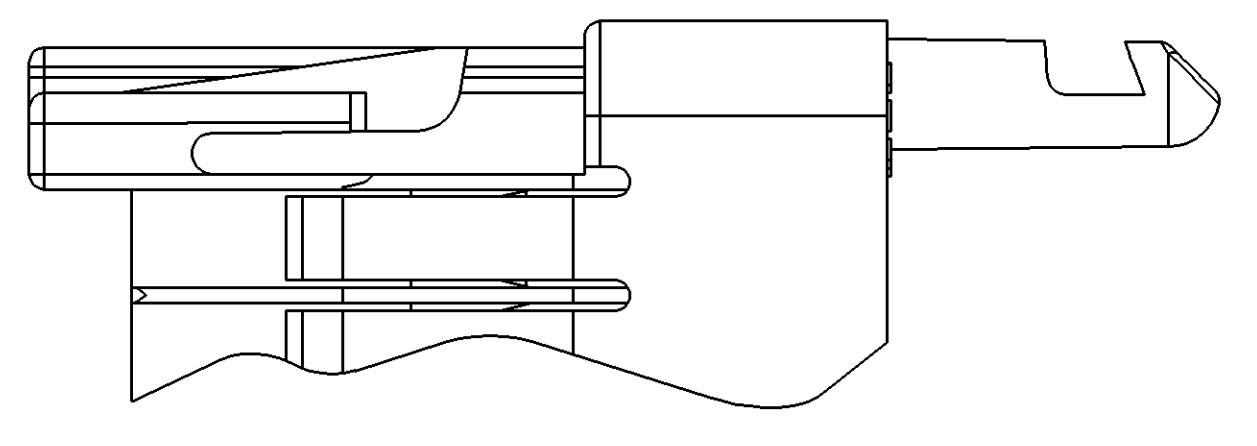
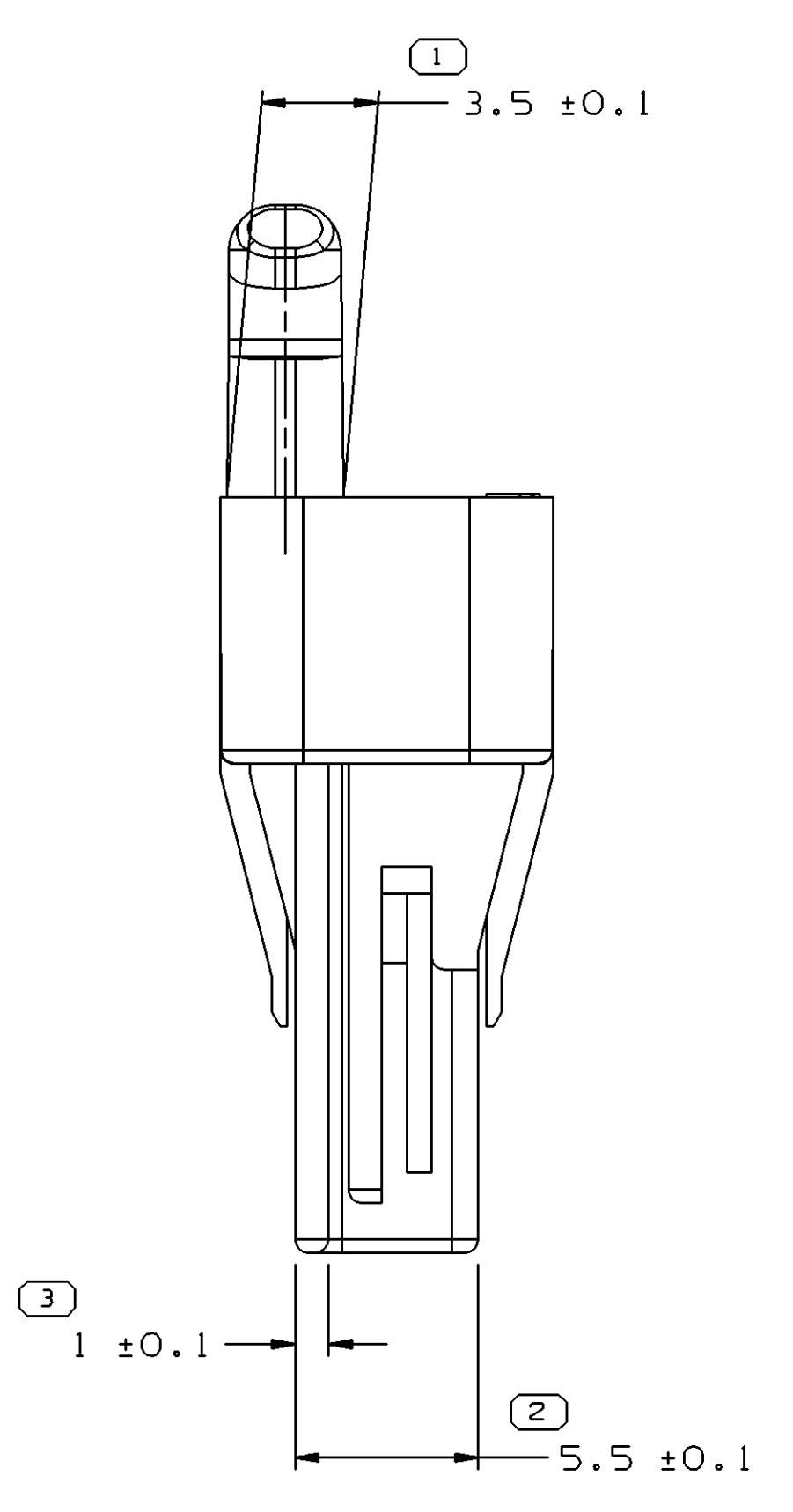
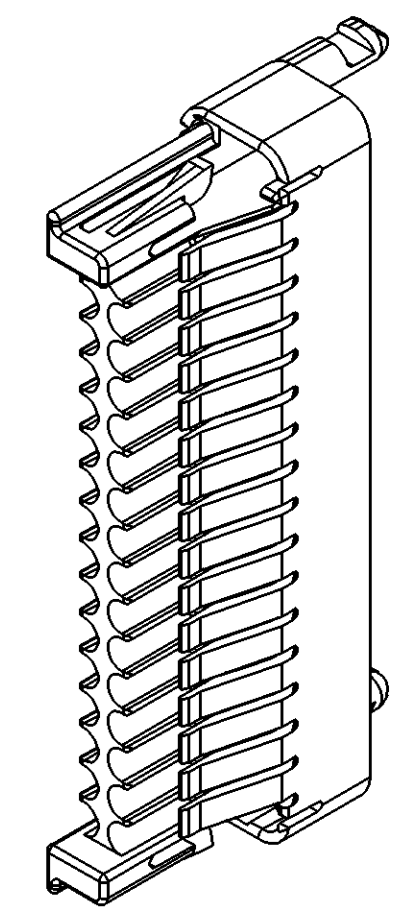
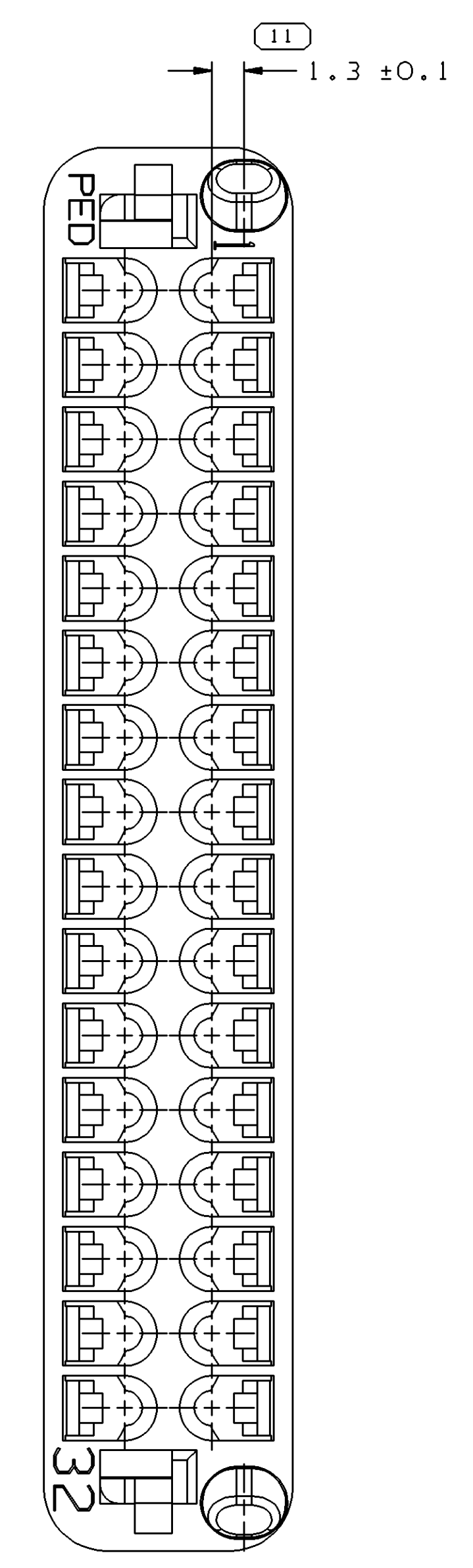
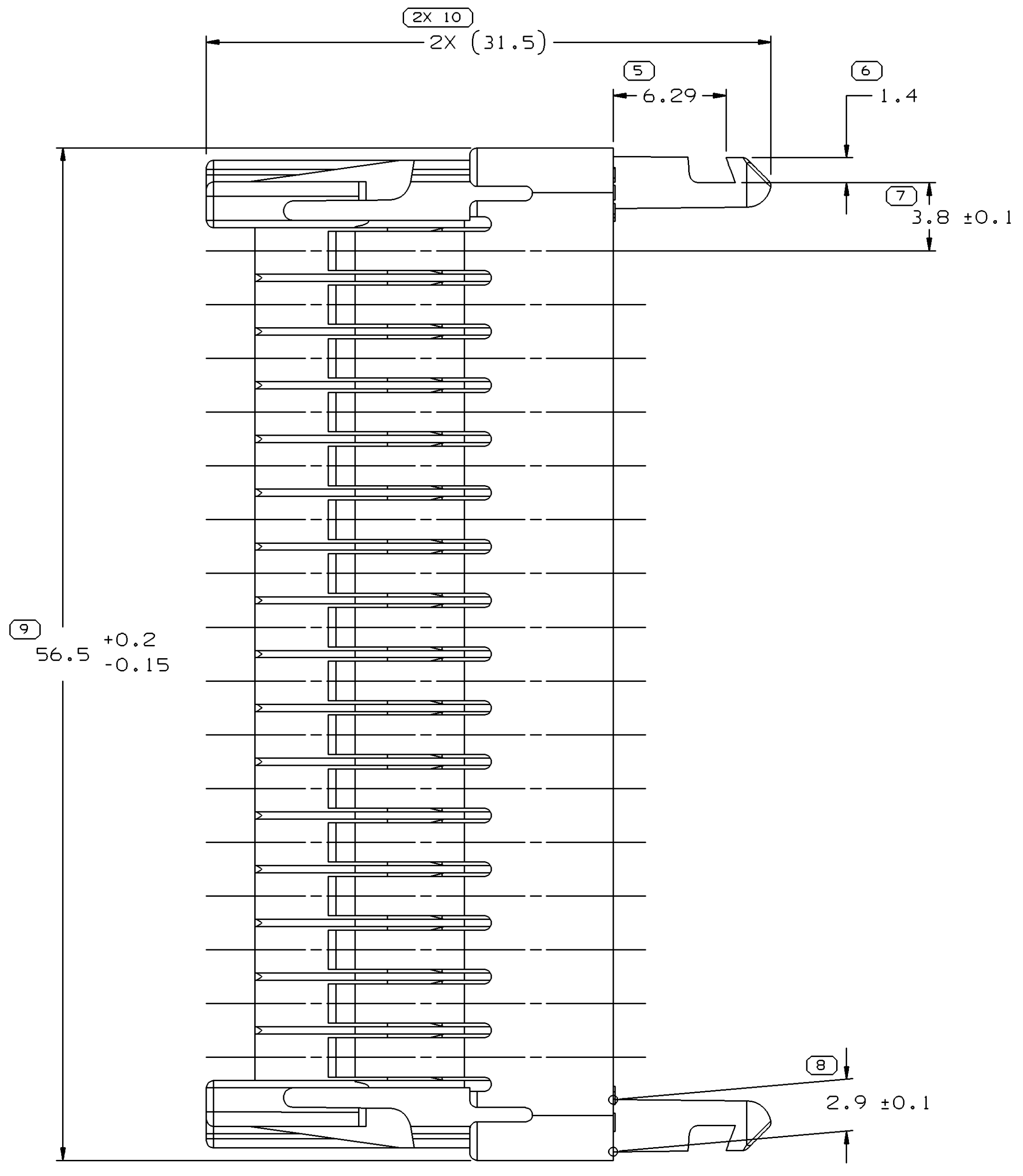
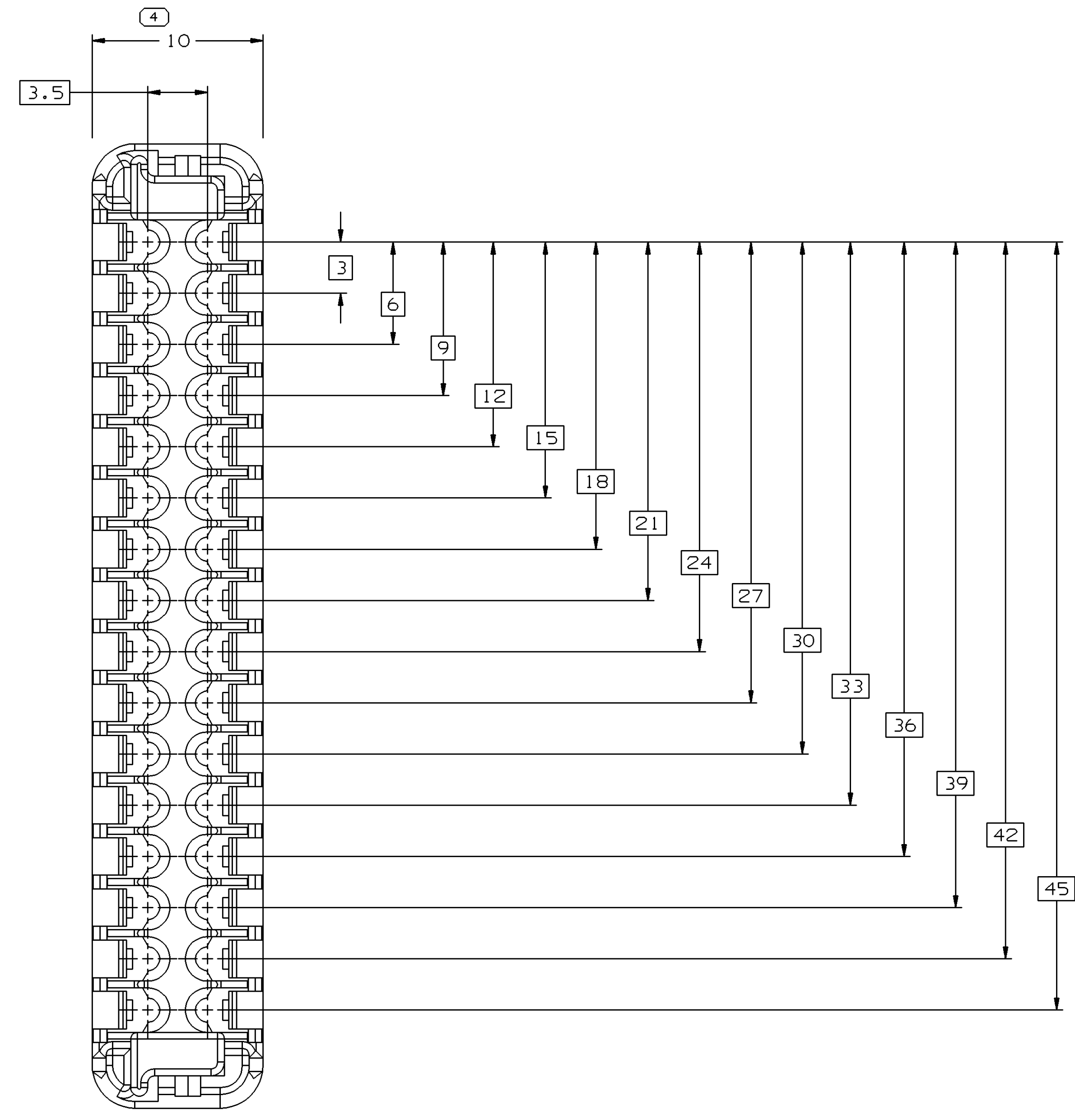


| SYMBOL DEFINITION | | MISSING SYMBOLS | |
|--|----------------------------------|--------------------------|--|
| A DIMENSION WITHOUT AN INSPECTION REPORT SYMBOL DOES NOT REQUIRE INSPECTION. IT MAY BE CONTROLLED ON THE INDIVIDUAL COMPONENT DRAWING. | TOTAL NO OF INSPECTIONS REQUIRED | NO MISSING SYMBOL NUMBER | |
| | 12 | | |
| | LAST NO. USED | | |
| | 11 | | |

| DWO STATUS | | | | | REVISION HISTORY | | | | | AUTH | DR | APVD | | |
|------------|-----|-----|-----|-----|------------------|--|--|--|--|------|--------|------|-----|----|
| DATE | STG | REV | N/P | CHO | ZONE | | | | | | | | | |
| 31MY05 | R | J4 | - | - | | CLEARED REV COLUMN, REDRAWN TO PD AND MATERIAL SPEC WAS R0100233 | | | | | 268583 | GPS | JAA | BM |



OPTIONAL CONSTRUCTION
4X CORE SUPPORT SLOT MAY BE REMOVED



VIEW SCALE DOES NOT REFLECT ACTUAL PART SIZE

- NOTES
- UNLESS OTHERWISE SPECIFIED AND/OR INDICATED:
DIMENSIONS ARE TO FACE OF VIEW SHOWN AND AUTOMATICALLY ROUNDED BY COMPUTER FOR INSPECTION (SEE MATH MODEL FOR PRECISE DIMENSIONS). FOR ALL OTHER DIMENSIONS NOT SHOWN BUT REQUIRED FOR TOOL BUILD, SEE MATH MODEL FOR PRECISE TOOL PATH DATA.
 - THIS PART ACCEPTS THE FOLLOWING COMPONENTS OR EQUIVALENT:
CAVITIES TO ACCEPT 12084912 TERMINAL RETAINER 12129021
SEAL 12129026
STRAIN RELIEF 12129030
 - THIS PART ALSO USED WITH CPA 12110299, CAVITY PLUG(S) 12129557, AND WHEN FULLY ASSEMBLED MATES TO HEADER CONNECTOR ASSEMBLY 12129006 OR EQUIVALENTS.
 - MATERIAL RECYCLING CODE PER ISO 11469. (1)X(0.1) CHARACTERS AS SHOWN TO BE LOCATED ON ANY EXTERIOR SURFACE. OPTIONAL CONSTRUCTION TO BE NO MATERIAL RECYCLING CODE.
 - (1)X(0.1) DELPHI CORPORATE BRAND TO BE LOCATED ON ANY EXTERIOR SURFACE, PREFERABLY VISIBLE AT FINAL ASSEMBLY. OPTIONAL CONSTRUCTION FOR EXISTING TOOLING MAY BE "PED".

| | | | |
|---|---------------|----------------------------|------|
| DWO TYPE: PART DRAWING | | STYLE | |
| VOLUME (COP): 3,987 | DISTR CODE: D | UNLESS OTHERWISE SPECIFIED | |
| THIS DOCUMENT IS IN ACCORDANCE WITH ASME Y14.5M-1994 AS AMENDED BY THE ON-SIGNAL DIMENSIONING AND TOLERANCING ADDENDUM-2003. SEPARATE PATTERNING OF FEATURES MAY BE OBTAINED SEPARATELY REGARDLESS OF DATUM REFERENCES. | | | |
| ALL DIMENSIONS ARE IN MILLIMETERS | | | |
| DIMENSIONAL RANGE (MM) | | CHART E1 | |
| FROM | TO | FROM | TO |
| 0 | 20 | 0 | 20 |
| 20 | 30 | 20 | 30 |
| 30 | 70 | 30 | 70 |
| 70 | 100 | 70 | 100 |
| 100 | 150 | 100 | 150 |
| 150 | 200 | 150 | 200 |
| 200 | 250 | 200 | 250 |
| 250 | 300 | 250 | 300 |
| 300 | 400 | 300 | 400 |
| TOLERANCE UNLESS OTHERWISE SPECIFIED | | ANGULAR TOLERANCE 12° | |
| ±0.15 | ±0.2 | ±0.3 | ±0.5 |
| ±0.4 | ±0.6 | ±1 | ±1.2 |

DELPHI
DELPHI PACKARD ELECTRIC SYSTEMS
WARREN, OH

| | |
|--------------------|--------|
| DR | DATE |
| APVD1 D.K. JENKINS | 19FE91 |
| APVD2 J. COLDSNOW | 26MR91 |
| APVD3 CHRIS REIDER | 02AP91 |
| APVD4 | |
| APVD5 | |

UNLESS OTHERWISE SPECIFIED
SUBSTANCES OF CONCERN AND RECYCLED CONTENT PER DELPHI 10949001

MATERIAL: M4695001 PBT NAT

DRAWING NAME: CONN 32 F MIC/P 100W NAT SLD

DRAWING NUMBER: 12129025

SIZE: A0 SCALE: 5:1 FRAME NO: 1 OF 1 SHEET NO: 1 OF 1 REV: J4

X-ON Electronics

Largest Supplier of Electrical and Electronic Components

Click to view similar products for [Automotive Connectors](#) category:

Click to view products by [APTIV](#) manufacturer:

Other Similar products are found below :

[003-018-000](#) [60403001](#) [60993906-B](#) [M902-2131](#) [M902-2161](#) [72.330.1035.1](#) [73.353.4028.0](#) [F119300-B](#) [F166900](#) [F258300-B](#) [F358300-B](#)
[F407400](#) [F444110](#) [F487000](#) [F509500B-B](#) [827153-1](#) [8N1515-32-24P](#) [9-1326729-8](#) [925474-1](#) [928905-1](#) [964562-4](#) [968782-1](#) [GT17SA-8DS-](#)
[HU](#) [98891-1012](#) [98947-1016](#) [12004475-L](#) [12010290](#) [12010309-B](#) [12015454](#) [12020219-B](#) [12020308](#) [12041318-B](#) [12052225-L](#) [12052466](#)
[12059125](#) [12064869](#) [12004327-B](#) [12010503-B](#) [12015308](#) [12015384](#) [12015909](#) [1-21030-1](#) [12041254](#) [12041318](#) [12047946-B](#) [12047957](#)
[12047957-L](#) [12059473](#) [12066261](#) [12110546](#)