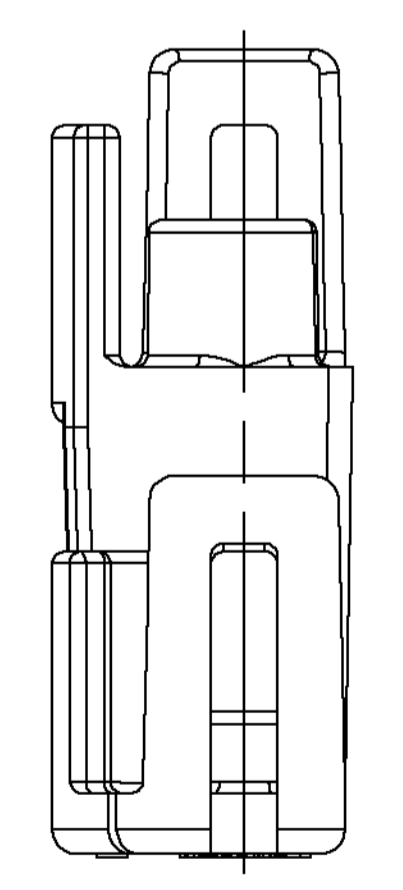
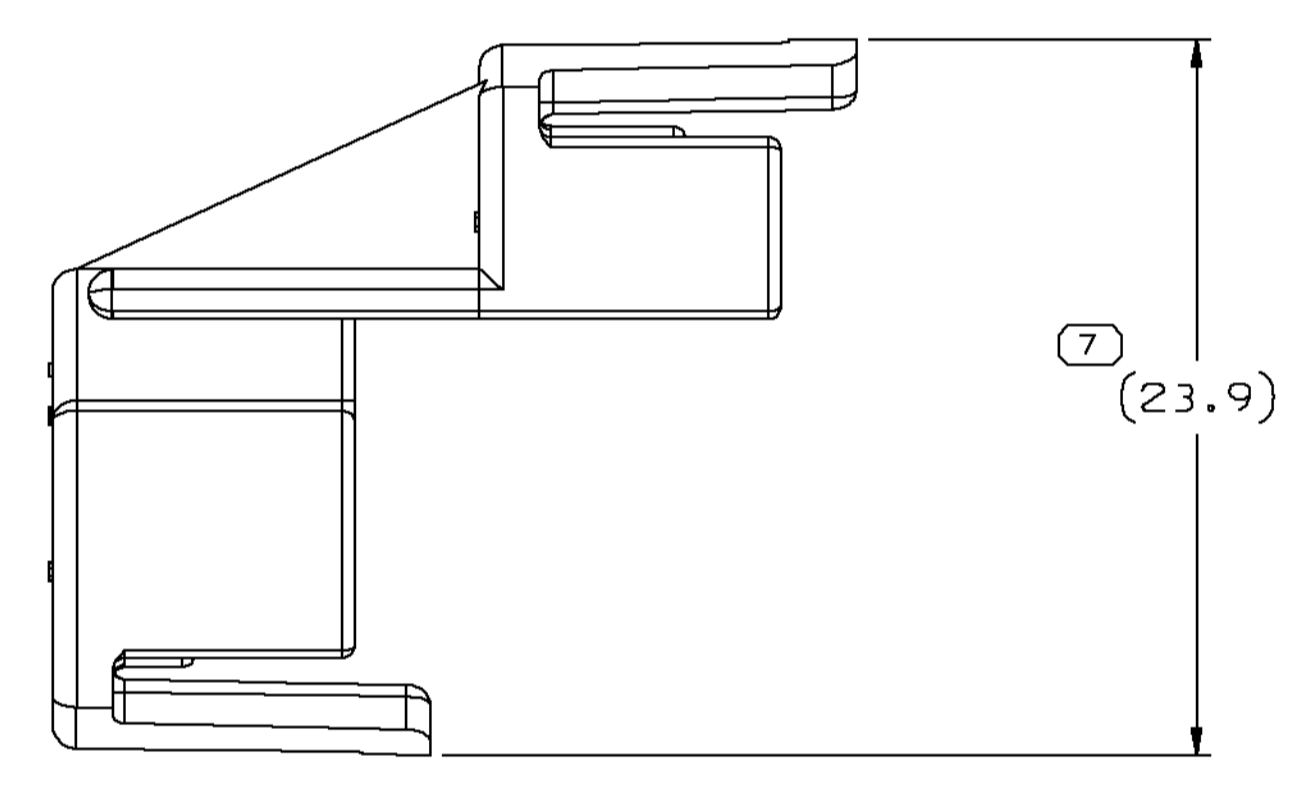
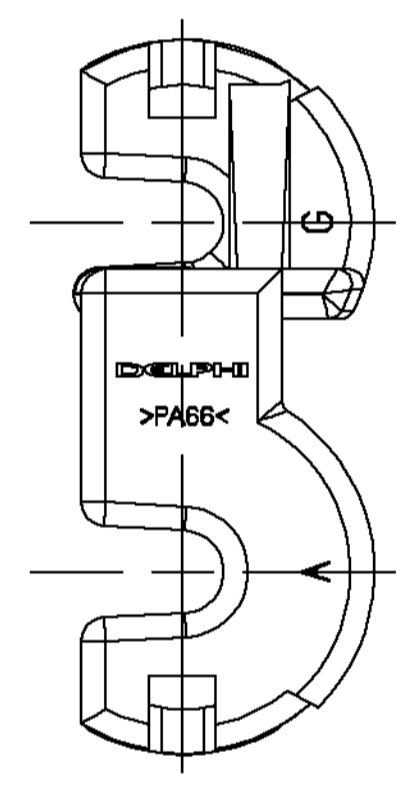
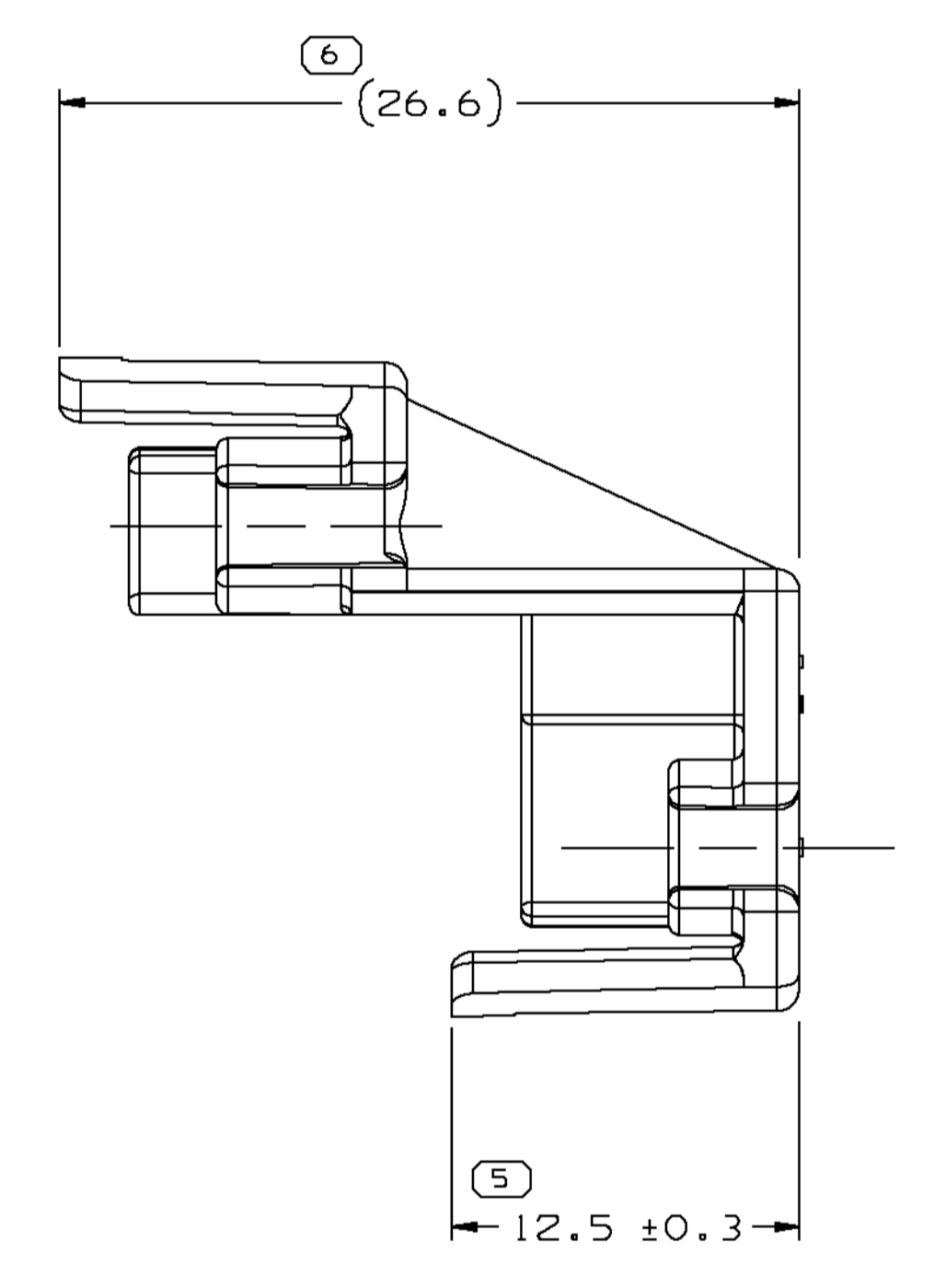
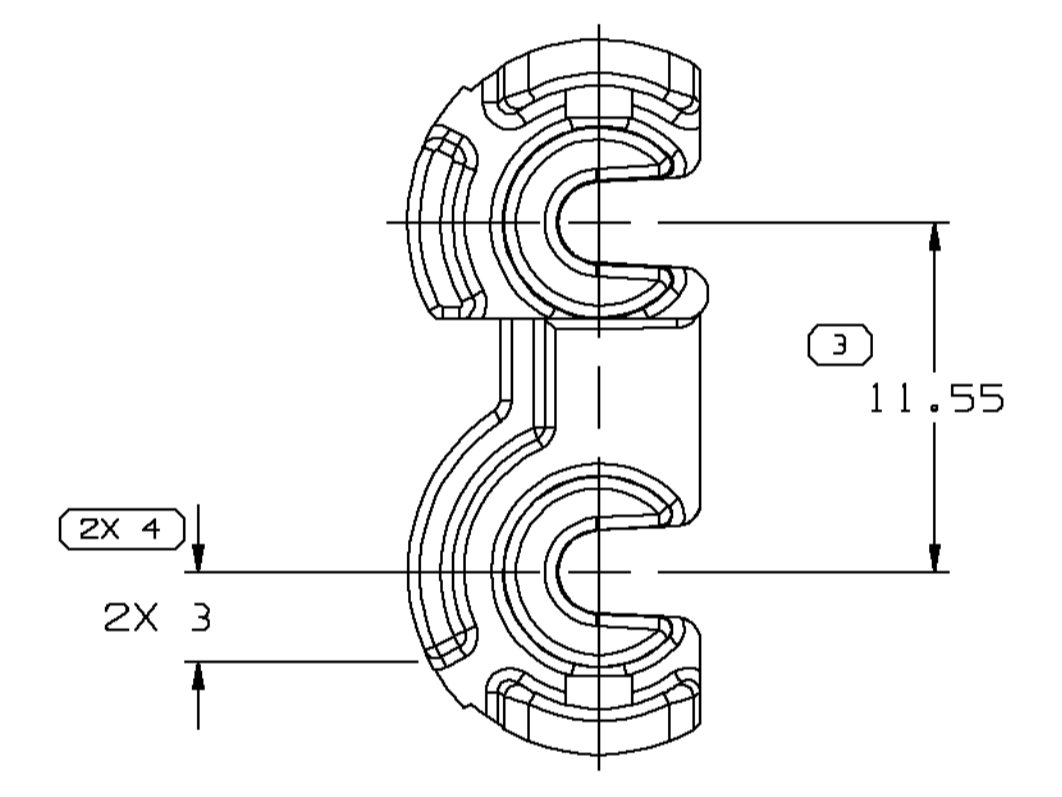
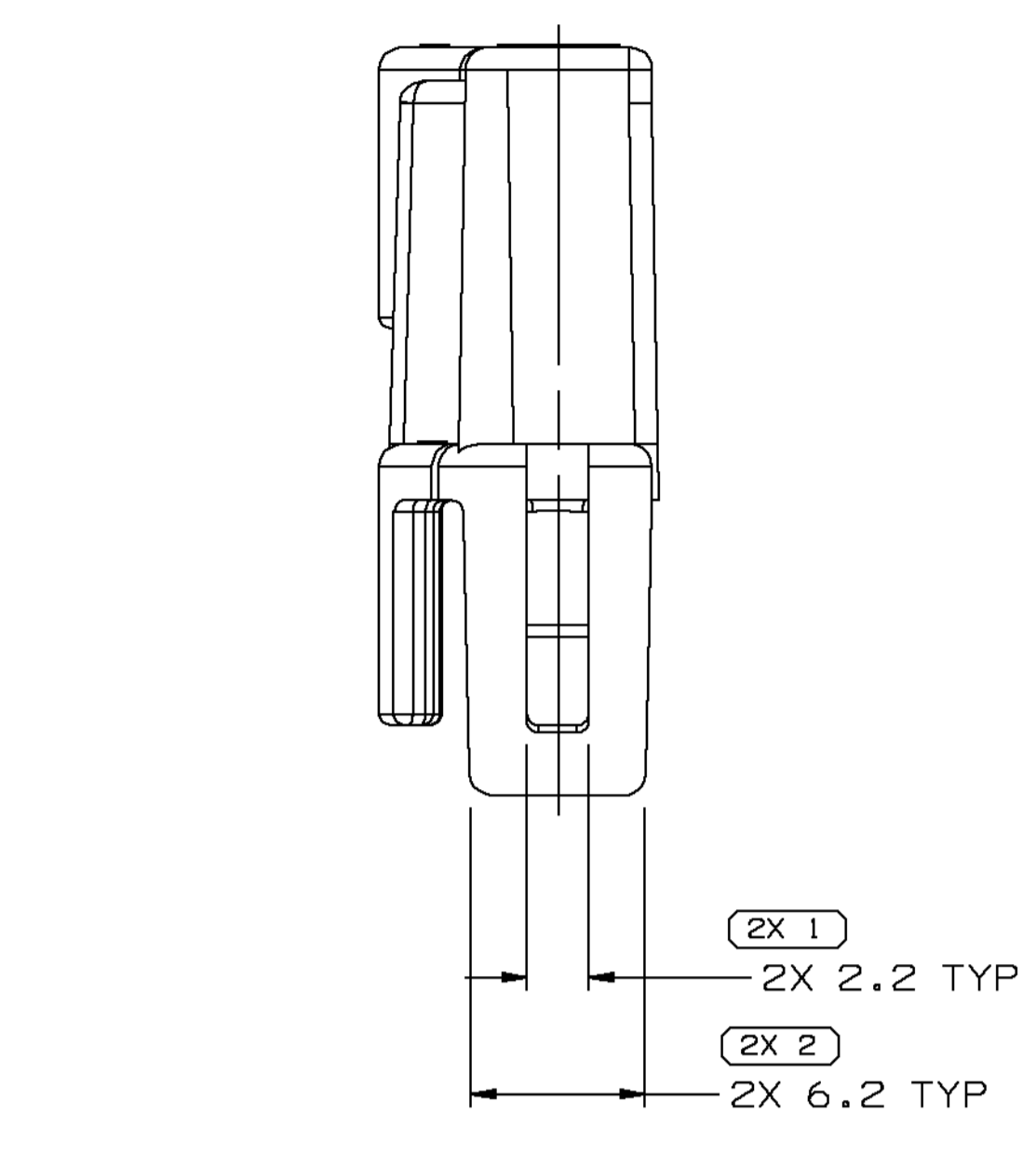


SYMBOL DEFINITION	
A DIMENSION WITHOUT AN INSPECTION REPORT SYMBOL DOES NOT REQUIRE INSPECTION. IT MAY BE CONTROLLED ON THE INDIVIDUAL COMPONENT DRAWING.	TOTAL NO OF INSPECTIONS REQUIRED
	10
	LAST NO. USED
	7

DWG STATUS				REVISION HISTORY				AUTH	
DATE	STG	REV	N/P	CHG	ZONE	DATE	BY	APPV	APPV
23MY03	R	03	-	-		CREATED PD		241537	ESF



- NOTES
- UNLESS OTHERWISE SPECIFIED AND/OR INDICATED: DIMENSIONS ARE TO FACE OF VIEW SHOWN AND AUTOMATICALLY ROUNDED BY COMPUTER FOR INSPECTION (SEE MATH MODEL FOR PRECISE DIMENSIONS). FOR ALL OTHER DIMENSIONS NOT SHOWN BUT REQUIRED FOR TOOL BUILD, SEE MATH MODEL FOR PRECISE TOOL PATH DATA.
 - MATERIAL RECYCLING CODE >PA66< PER SAE J1344. (2.31X10.1) RAISED CHARACTERS AS SHOWN TO BE LOCATED ON ANY EXTERIOR SURFACE. OPTIONAL CONSTRUCTION TO BE NO MATERIAL RECYCLING CODE.
 - THIS PART IS NOT CONTROLLED FOR AUTOMATIC FEEDING.
 - MATING COMPONENTS OR EQUIVALENT: CONNECTOR 12129055
CABLE DIA. RANGE FOR CAVITY "A" IS 1.85-2.65
CABLE DIA. RANGE FOR CAVITY "G" IS 1.85-2.65
 - (2.31X10.1) RAISED DELPHI CORPORATE BRAND TO BE LOCATED ON ANY EXTERIOR SURFACE, PREFERABLY VISIBLE AT FINAL ASSEMBLY. OPTIONAL CONSTRUCTION TO BE "PED" OR NO LOGO.
 - LOCKING FEATURES ARE IDENTICAL, EXCEPT AS SHOWN.

DIMENSIONS ENCLOSED IN () INDICATE REFERENCE DIMENSIONS AND NO TOLERANCE LIMITS ARE ESTABLISHED		DIMENSIONAL RANGE (MM)		TOLERANCE UNLESS OTHERWISE SPECIFIED		CHART E1	
FROM	TO	> 30	> 70	> 100	> 150	> 200	> 300
0	20	±0.15	±0.2	±0.3	±0.4	±0.5	±0.8
20	30	±0.2	±0.3	±0.4	±0.5	±0.6	±1
30	70	±0.3	±0.4	±0.5	±0.6	±0.8	±1.2
70	100	±0.4	±0.5	±0.6	±0.8	±1	±1.2
100	150	±0.5	±0.6	±0.8	±1	±1.2	±1.5
150	200	±0.6	±0.8	±1	±1.2	±1.5	±2
200	250	±0.8	±1	±1.2	±1.5	±2	±2.5
250	300	±1	±1.2	±1.5	±2	±2.5	±3
300	400	±1.2	±1.5	±2	±2.5	±3	±4

DWG TYPE		PART DRAWING	
STYLE		DISTR CODE	D
VOLUME (GM)	1.097		
ROUTING	6900		

DELPHI
DELPHI PACKARD ELECTRIC SYSTEMS
WARREN, OH

DR	DATE
APV01 E. SALAZAR	23MY03
APV02 E. RODRIGUEZ	23MY03
APV03 R. CORZAS	23MY03

UNLESS OTHERWISE SPECIFIED
THIS DOCUMENT IS IN ACCORDANCE WITH ASME Y14.5M-1994
AS AMENDED BY THE 2003 GLOBAL DIMENSIONING AND TOLERANCING PROGRAM (GD&T). SEPARATE MATING OF FEATURES MAY BE OBTAINED SEPARATELY REGARDLESS OF DATUM REFERENCES.

ALL DIMENSIONS ARE IN MILLIMETERS

REFERENCE: PE019962

DRAWING NAME: LOCK TPA LP SOC 2 BLU

DRAWING NUMBER: 12129057

SIZE: A0
SCALE: 4:1
FRAME NO: 1 OF 1
SHEET NO: 1 OF 1
STG: R
REV: 03

X-ON Electronics

Largest Supplier of Electrical and Electronic Components

Click to view similar products for [Automotive Connectors](#) category:

Click to view products by [APTIV](#) manufacturer:

Other Similar products are found below :

[003-018-000](#) [60403001](#) [60993906-B](#) [629515004020001](#) [M902-2131](#) [M902-2161](#) [72.330.1035.1](#) [73.353.4028.0](#) [F119300-B](#) [F166900](#)
[F258300-B](#) [F358300-B](#) [F407400](#) [F444110](#) [F487000](#) [F509500B-B](#) [827153-1](#) [8N1515-32-24P](#) [9-1326729-8](#) [925474-1](#) [928905-1](#) [964562-4](#)
[968782-1](#) [GT17SA-8DS-HU](#) [98891-1012](#) [98947-1016](#) [12004475-L](#) [12010290](#) [12010309-B](#) [12015454](#) [12020219-B](#) [12020308](#) [12041318-B](#)
[12052225-L](#) [12052466](#) [12059125](#) [12064869](#) [12004327-B](#) [12010503-B](#) [12015308](#) [12015384](#) [12015909](#) [1-21030-1](#) [12041254](#) [12041318](#)
[12047946-B](#) [12047957](#) [12047957-L](#) [12059473](#) [12066261](#)