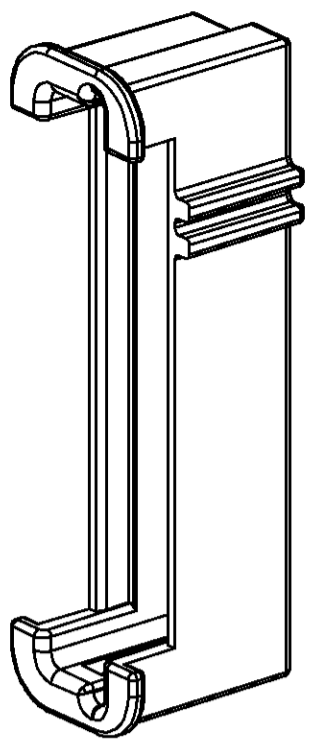


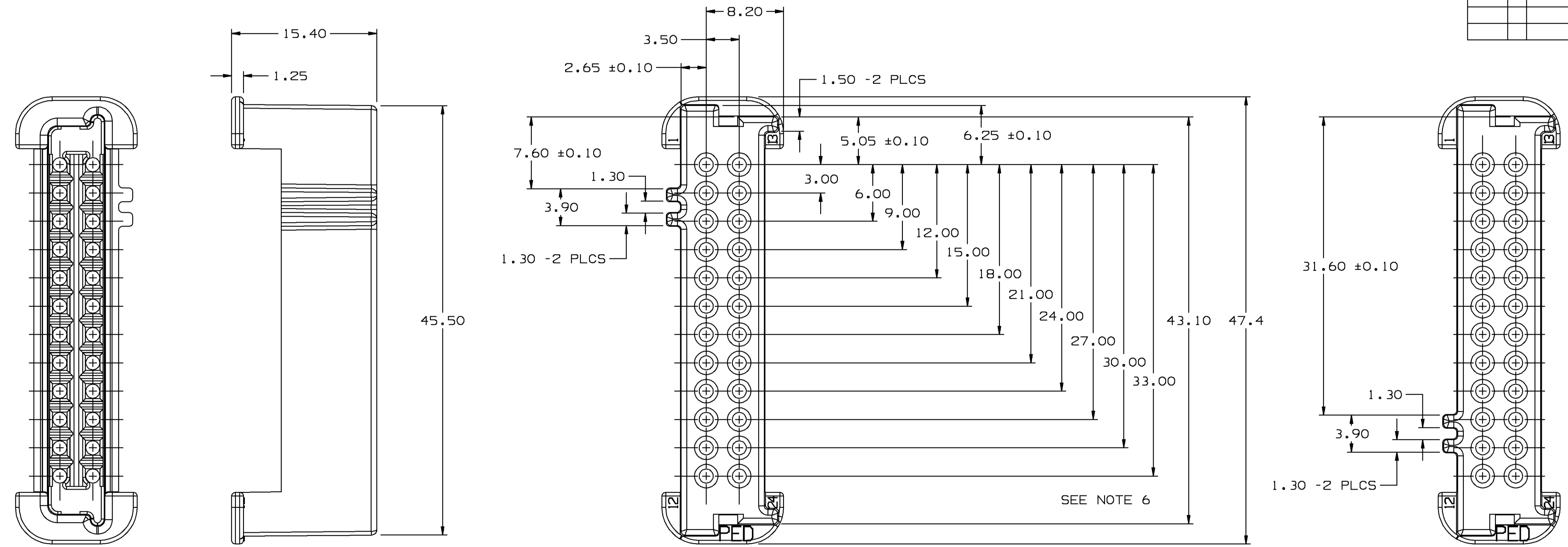
PART NO
1219 1020

| DATE | SYM | REVISION RECORD | AUTH | DR | CK |
|--------|-----|--------------------------|--------|----|-----|
| 29NO96 | | 12129183 & 12191019 - | | | |
| | | WERE SEPARATE "C" SIZE - | | | |
| | | NO REV UPDATE REQ'D | 960007 | GG | MVA |
| | | | | | |
| | | | | | |
| | | | | | |
| | | | | | |
| | | | | | |
| | | | | | |
| | | | | | |
| | | | | | |
| | | | | | |
| | | | | | |
| | | | | | |
| | | | | | |
| | | | | | |
| | | | | | |
| | | | | | |
| | | | | | |
| | | | | | |



SCALE 2:1

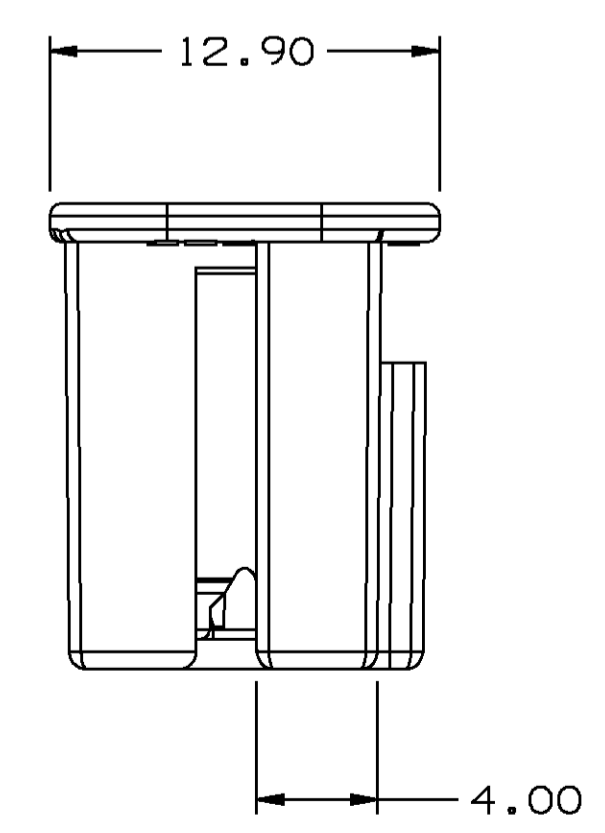
DELPHI PACKARD ELECTRIC SYSTEMS
WARREN, OHIO 44166



TYPE I

TYPE II
SAME AS TYPE I
EXCEPT AS SHOWN

PART NO
1219 1020



- NOTES:
- MATING HEADER CONECTOR ASM -12092320, OR EQUIVALENT.
 - THIS PART ACCEPTS 12110152 CONNECTOR, OR EQUIVALENT.
 - THIS PART ALSO USED WITH SEAL 12110403, STRAIN RELIEF 12110155, CAVITY PLUGS 12129557, TERMINAL 12084912 AND C.P.A. 12110299 OR EQUIVALENTS.
 - SEALING CODE 3.
 - UNLESS OTHERWISE SPECIFIED AND/OR INDICATED: DIMENSIONS ARE TO FACE OF VIEW SHOWN AND AUTOMATICALLY ROUNDED BY COMPUTER FOR INSPECTION. (SEE MATH MODEL FOR PRECISE DIMENSION) FOR ALL OTHER DIMENSIONS NOT SHOWN BUT REQUIRED FOR TOOL BUILD, SEE MATH MODEL FOR PRECISE TOOL PATH DATA.
 - PART IS MANUFACTURED TO GEOMETRIC TOLERANCES. CENTERLINE DIMENSIONS ARE FOR REFERENCE ONLY.

| PART NO | REV | STATUS | TYPE | MATERIAL (F) PARTS | MATERIAL SPEC & COLOR | VOL CM³ |
|----------|-----|--------|------|--------------------|--|---------|
| 12191019 | A | | II | 12129225 12191017 | PM002060-002-POLYCARBONATE-CLEAR TRANS | 2.059 |
| 12129183 | B | | I | 12129225 12092320 | PM002060-014-POLYCARBONATE-BLK TRANS | 2.059 |

| | |
|--------------------------------------|--|
| DRAWING TYPE PID | OTHER DRAWINGS AVAILABLE DETAIL |
| Utrigraphics II | METRIC DIMENSIONS ARE IN MILLIMETERS UNLESS OTHERWISE SPECIFIED |
| THIRD ANGLE PROJECTION | TOLERANCE UNLESS OTHERWISE SPECIFIED DECIMAL: ANGULAR ± 2° ONE PLACE ± 0.3 TWO PLACE ± 0.15 |
| CODE NO 6900 | QC |
| DWG DATE 29NO96 | DR G.G. IZQUIERDO 29NO96 |
| SCALE 4:1 | CK MANUEL VEGA 04DE96 |
| REFERENCE NO | APPRV. BANCROFT 10DE96 |
| MATERIAL SPEC | VOL CM³ SEE CHART |
| SEE CHART | |
| NAME TAXI RETAINER 24F MIC/P 100W | |
| PART NUMBER 1219 1020 | SIZE A1 |

X-ON Electronics

Largest Supplier of Electrical and Electronic Components

Click to view similar products for [Automotive Connectors](#) category:

Click to view products by [APTIV](#) manufacturer:

Other Similar products are found below :

[003-018-000](#) [60403001](#) [60993906-B](#) [629515004020001](#) [M902-2131](#) [M902-2161](#) [72.330.1035.1](#) [73.353.4028.0](#) [F119300-B](#) [F166900](#)
[F258300-B](#) [F358300-B](#) [F407400](#) [F444110](#) [F487000](#) [F509500B-B](#) [827153-1](#) [8N1515-32-24P](#) [9-1326729-8](#) [925474-1](#) [928905-1](#) [964562-4](#)
[968782-1](#) [GT17SA-8DS-HU](#) [98891-1012](#) [98947-1016](#) [12004475-L](#) [12010290](#) [12010309-B](#) [12015454](#) [12020219-B](#) [12020308](#) [12041318-B](#)
[12052225-L](#) [12052466](#) [12059125](#) [12064869](#) [12004327-B](#) [12010503-B](#) [12015308](#) [12015384](#) [12015909](#) [1-21030-1](#) [12041254](#) [12041318](#)
[12047946-B](#) [12047957](#) [12047957-L](#) [12059473](#) [12066261](#)