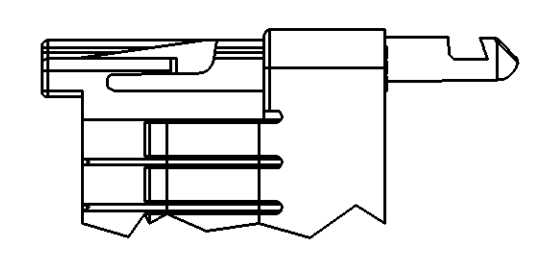
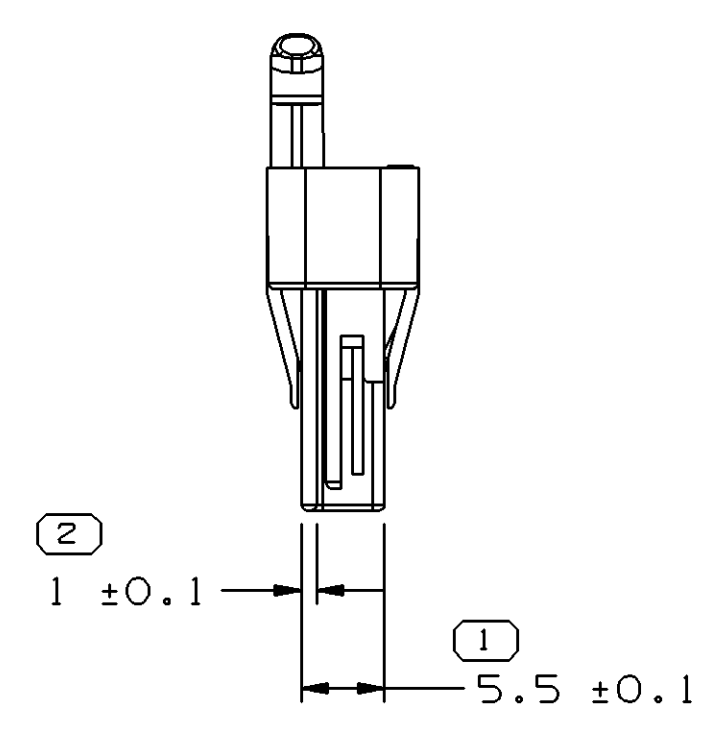
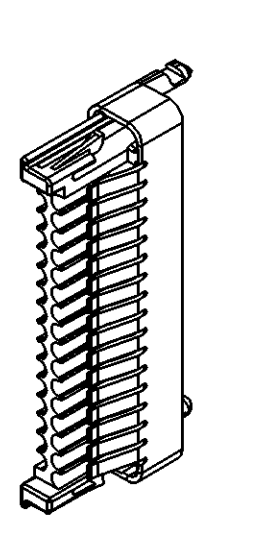
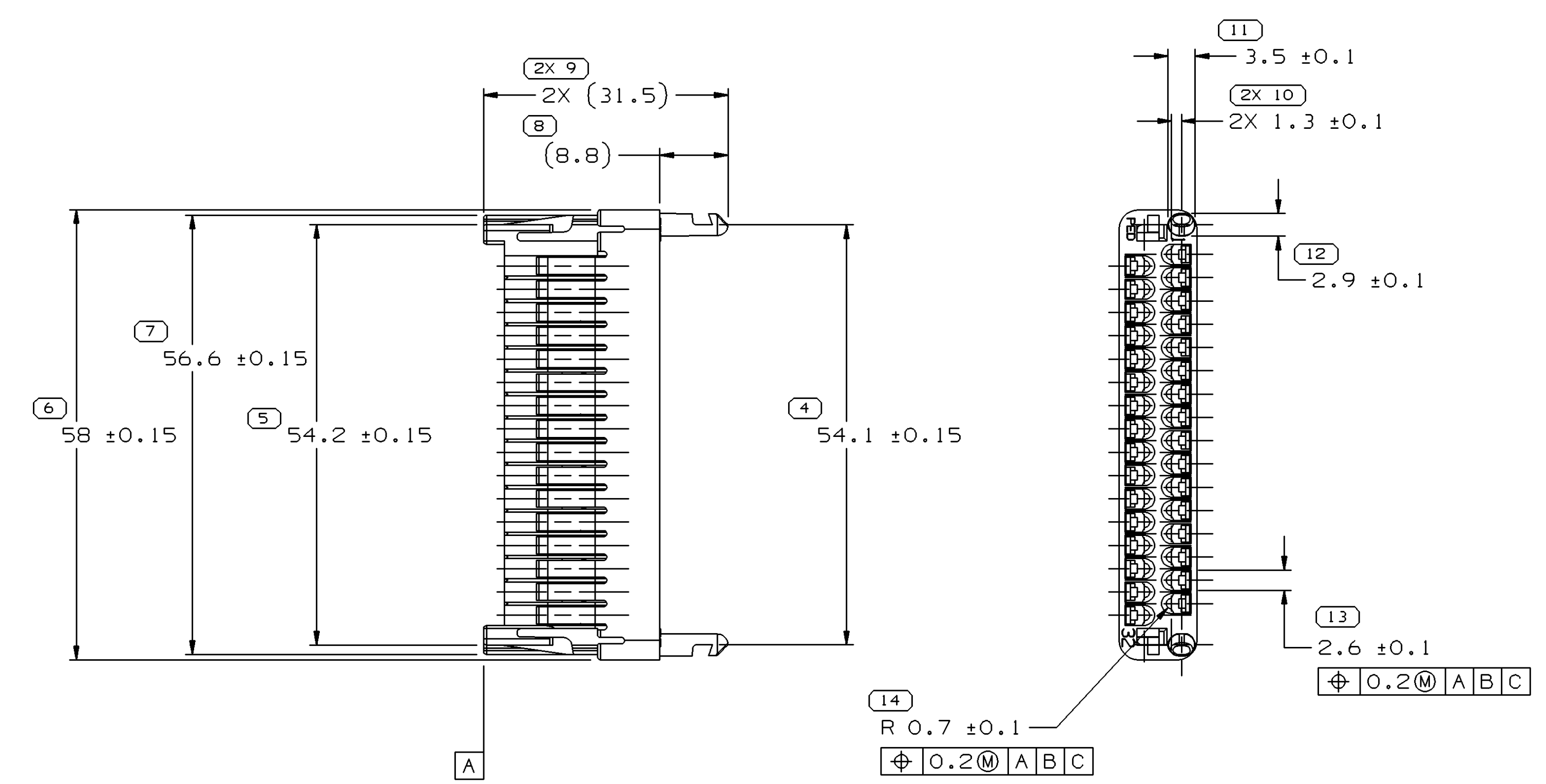
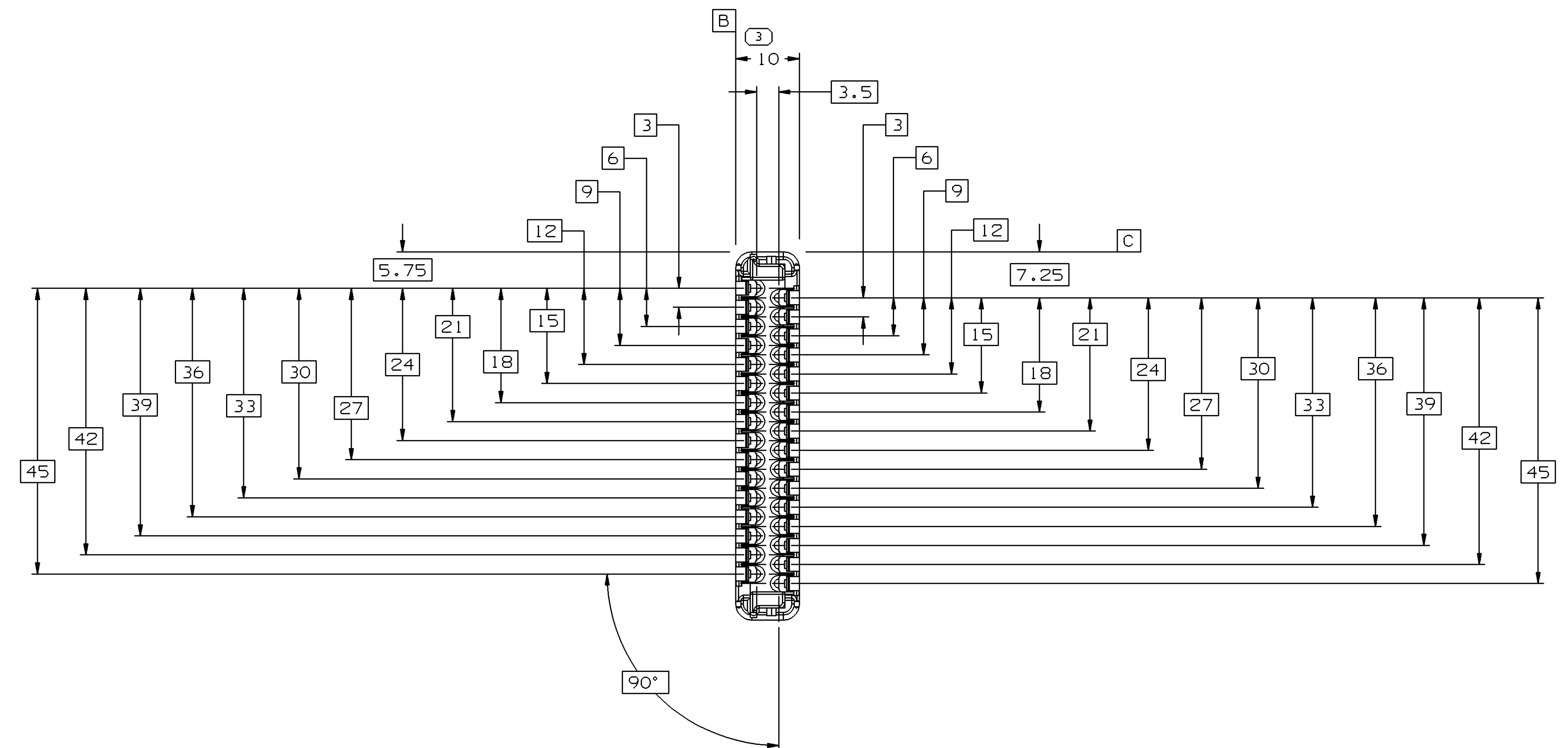


SYMBOL DEFINITION		MISSING SYMBOLS	
A DIMENSION WITHOUT AN INSPECTION REPORT SYMBOL DOES NOT REQUIRE INSPECTION. IT MAY BE CONTROLLED ON THE INDIVIDUAL COMPONENT DRAWING.	TOTAL NO OF INSPECTIONS REQUIRED	NO MISSING SYMBOL NUMBER	
	16		
	LAST NO. USED		
	14		

DWO STATUS				ZONE				REVISION HISTORY				AUTH		DR		APVD			
DATE	STG	REV	N/P	CHO	ZONE	NO	DATE	BY	DATE	BY	NO	DATE	BY	NO	DATE	BY	NO		
31MY05	R	J6	-	-															
								CLEARED REV COL. REDRAWN TO PD AND MAT L SPEC WAS R0100233				268583		CCV		JAA		MB	



OPTIONAL CONSTRUCTION
4X CORE SUPPORT SLOT MAY BE REMOVED



NOTES

- UNLESS OTHERWISE SPECIFIED AND/OR INDICATED:
DIMENSIONS ARE TO FACE OF VIEW SHOWN AND AUTOMATICALLY ROUNDED BY COMPUTER FOR INSPECTION (SEE MATH MODEL FOR PRECISE DIMENSIONS). FOR ALL OTHER DIMENSIONS NOT SHOWN BUT REQUIRED FOR TOOL BUILD, SEE MATH MODEL FOR PRECISE TOOL PATH DATA.
- MATERIAL RECYCLING CODE PER ISO 11469. (1)(X)(0.1) CHARACTERS AS SHOWN TO BE LOCATED ON ANY EXTERIOR SURFACE. OPTIONAL CONSTRUCTION TO BE NO MATERIAL RECYCLING CODE.
- THIS PART ACCEPTS THE FOLLOWING COMPONENTS OR EQUIVALENT:
CAVITIES TO ACCEPT TERMINAL 12084912
CONNECTOR/CABLE SEAL 12129229
TERMINAL POSITION ASSURANCE LOCK 12129231
STRAIN RELIEF 12129233
- THIS PART ALSO USED WITH CPA 12110299, CAVITY PLUG(S) 12129557.
NOTE: THERE IS NO MATING HEADER CONNECTOR ASSEMBLY FOR THIS PART.
- (1)(X)(0.1) DELPHI CORPORATE BRAND TO BE LOCATED ON ANY EXTERIOR SURFACE, PREFERABLY VISIBLE AT FINAL ASSEMBLY. OPTIONAL CONSTRUCTION FOR EXISTING TOOLING MAY BE "PED".

DIMENSIONAL RANGE (MM)	TOLERANCE (UNLESS OTHERWISE SPECIFIED)	CHART REF
FROM > 0	> 20	1
TO 20	30	2
	70	3
	100	4
	150	5
	200	6
	250	7
	300	8
	400	9
	± 0.1	10
	± 0.2	11
	± 0.3	12
	± 0.4	13
	± 0.5	14
	± 0.6	15
	± 0.8	16
	± 1	17
	± 1.2	18
	ANGULAR TOLERANCE 12°	19

DWO TYPE		PART DRAWING	
STYLE	D		
VOLUME (COP)	4.196	DISTR CODE	D
UNLESS OTHERWISE SPECIFIED			
THIS DOCUMENT IS IN ACCORDANCE WITH ASME Y14.5M-1994 AS MODIFIED BY THE DIMENSIONING AND TOLERANCING ADDENDUM-2001. SEPARATE PATTERNING OF FEATURES MAY BE GIVEN SEPARATELY REGARDLESS OF DATUM REFERENCE.			
ALL DIMENSIONS ARE IN MILLIMETERS			
REFERENCE			

DELPHI
DELPHI PACKARD ELECTRIC SYSTEMS
WARREN, OH

DR	DATE
APVD1 BRIAN MADISON	11 JUL 91
APVD2 BRIAN MADISON	18 JUL 91
APVD3 R. POLEHONKI	05AUG91
APVD4	
APVD5	

SUBSTANCES OF CONCERN AND RECYCLED CONTENT PER DELPHI 10949001

MATERIAL M4695001 PBT NAT

DRAWING NAME
CONN 32 F MIC/P 100W NAT SLD

DRAWING NUMBER
12129228

SIZE	SCALE	FRAME NO	SHEET NO	TSTG	REV	N/P
A0	2:1	1	1	1	1	R J6

X-ON Electronics

Largest Supplier of Electrical and Electronic Components

Click to view similar products for [Automotive Connectors](#) category:

Click to view products by [APTIV](#) manufacturer:

Other Similar products are found below :

[003-018-000](#) [60993906-B](#) [M902-2131](#) [M902-2161](#) [M902-2344](#) [72.330.1035.1](#) [73.353.4028.0](#) [F166900](#) [F358300-B](#) [F407400](#) [776880-1](#)
[827153-1](#) [8N1515-32-24P](#) [9-1326729-8](#) [925474-1](#) [928905-1](#) [964562-4](#) [968782-1](#) [98891-1012](#) [12004475-L](#) [12020308](#) [12041318-B](#)
[12052466](#) [12064869](#) [12015909](#) [1-21030-1](#) [12041254](#) [12041318](#) [12047946-B](#) [12110546-B](#) [12131792](#) [12084688](#) [12092346](#) [HD34-18-14PT](#)
[HD46-24-23SN-059](#) [HDB36-24-16PN-059](#) [HDP26-24-9SE-L015](#) [12185280](#) [12185550](#) [12336-12](#) [12191172-B](#) [12S](#) [13545280](#) [13577943](#)
[13681974](#) [13737722-B](#) [13830674](#) [13832576](#) [13849772](#) [13542772](#)