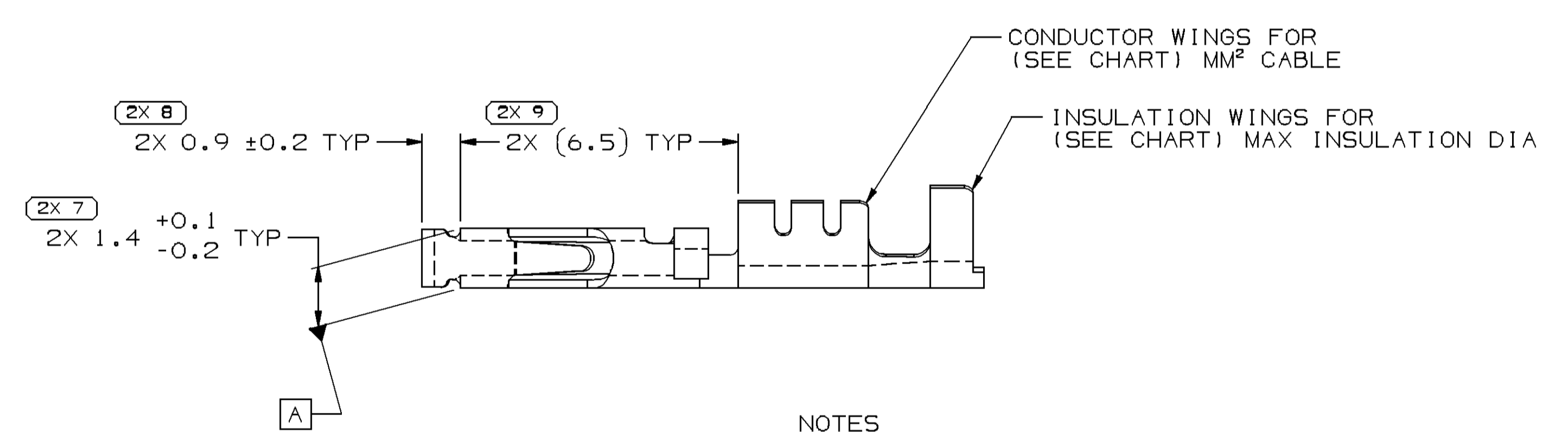
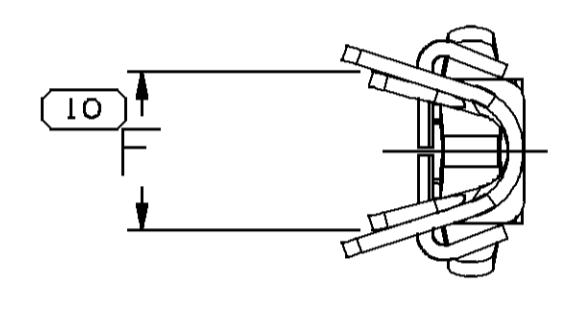
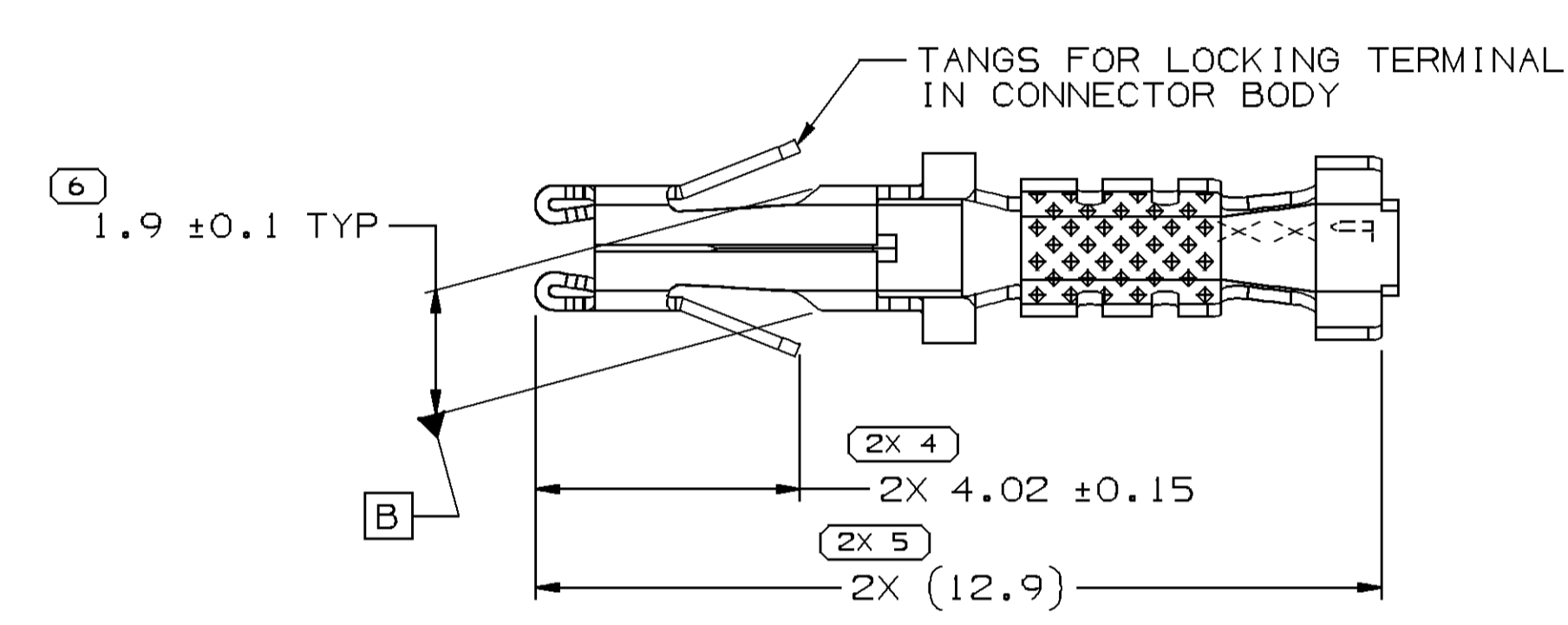
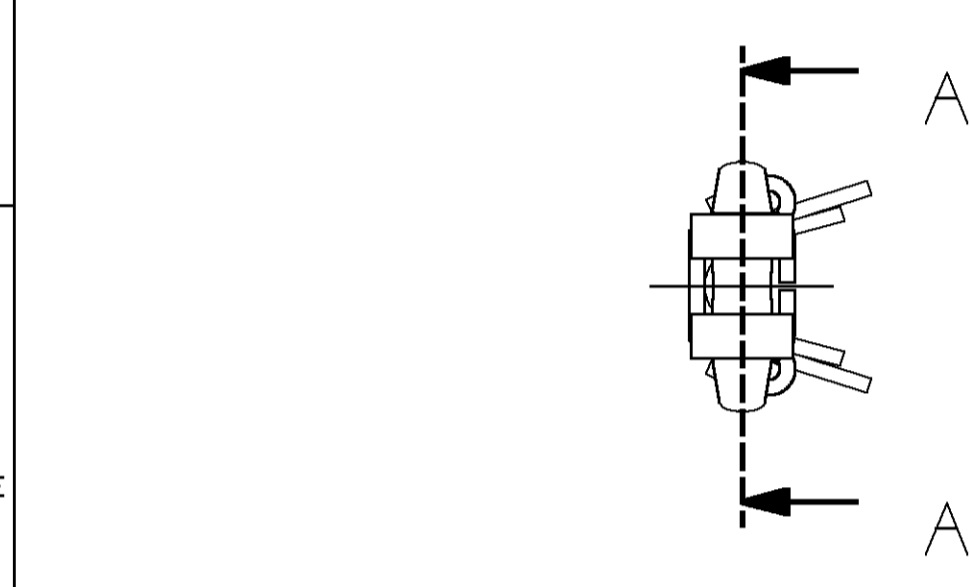
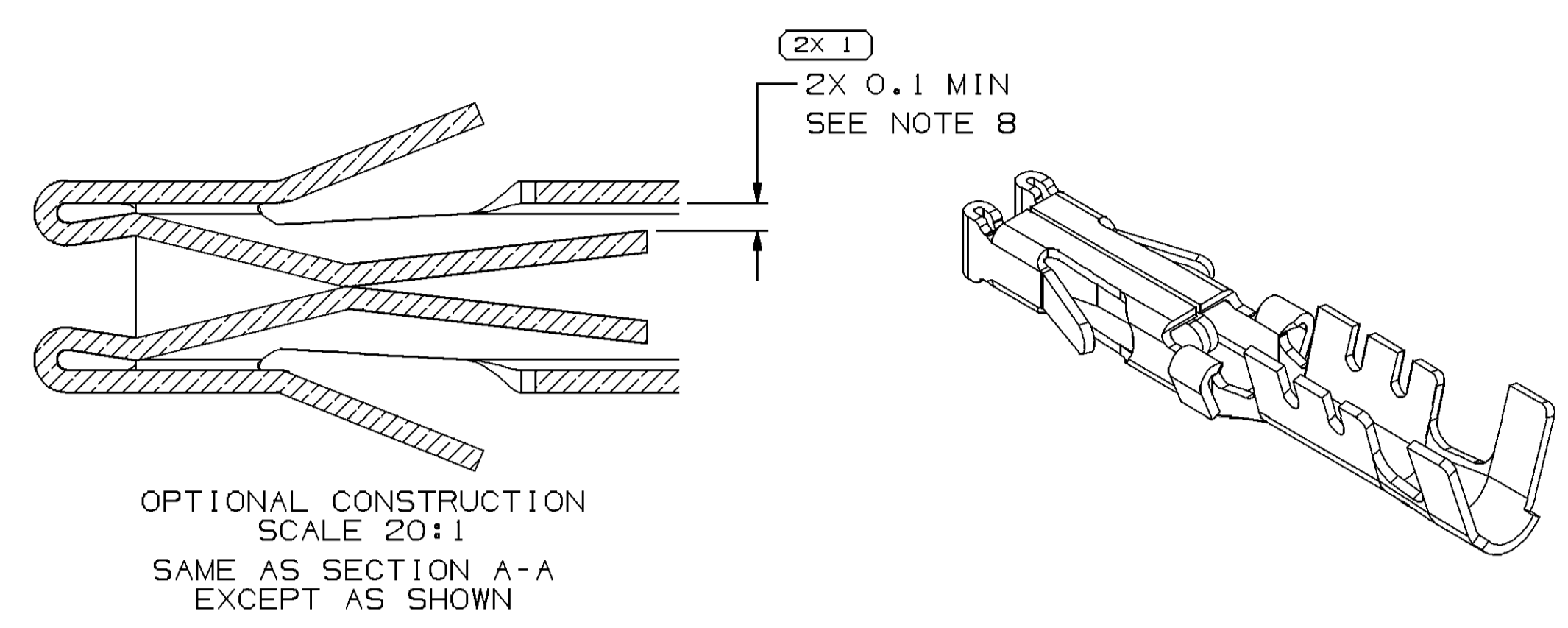
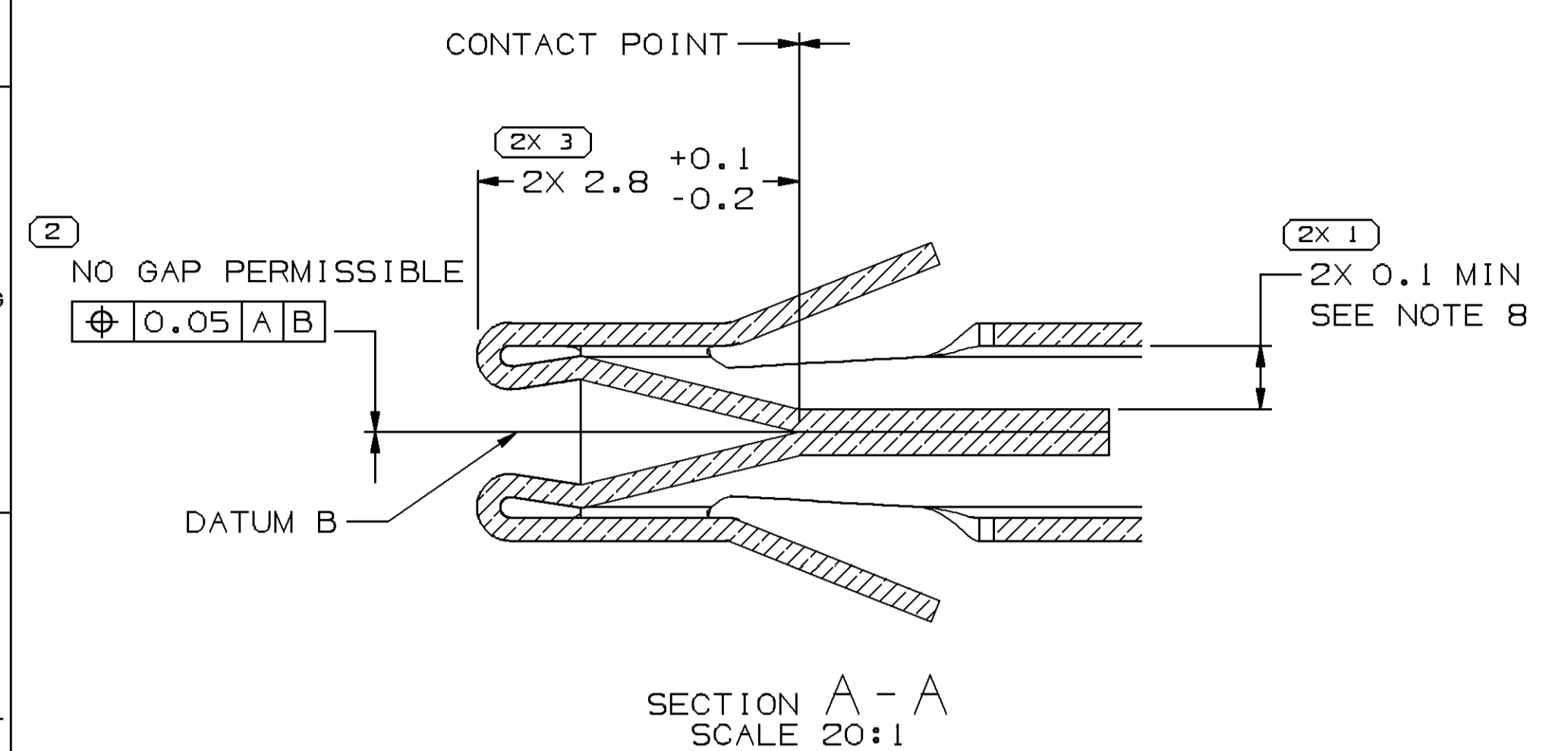


SYMBOL DEFINITION		MISSING SYMBOLS	
A DIMENSION WITHOUT AN INSPECTION REPORT SYMBOL ( ) DOES NOT REQUIRE INSPECTION. IT MAY BE CONTROLLED ON THE INDIVIDUAL COMPONENT DRAWING.	TOTAL NO OF INSPECTIONS REQUIRED	NO MISSING SYMBOL NUMBER	20
	LAST NO. USED		11

DWG STATUS				ZONE	REVISION HISTORY	AUTH	DR	APVD1	APVD2
DATE	STG	REV	N/P						
20SE99	-	01	-	-	CLEARED REVISION COLUMN REVISED NOTES & GRAPHICS	195715	JHH	JHH	RJ
19MY00	-	02	-	-	ALL PARTS - CREATED SOLID MODELS & REVISED INSPECTION SYMBOLS	200225	FRG	GGI	MW
220C01	-	03	-	-	ALL PARTS - UPDATED PDM ATTRIBUTES	215725	JMR	JMR	MW
16AP02	-	04	-	-	DIM F WAS +/-0.1 & UPDATED FORMAT	223829	RAB	RAB	MD
06N002	R	05	-	-	12177007 - UPDATED PDM ATTRIBUTES	232853	TLD	TLD	MJD
03JA03	R	06	-	-	12177007 & 12129361 - 2X 3.95@0.15 WAS 2X 3.95@0.1	235051	TLD	TLD	RF
12FE04	R	07	-	-	12177007 & 12129361 - REVISED CHART ADDED MATERIAL SPEC COLUMN	251019	CTR	JAA	MD
25AP13	R	08	-	-	12177007 & 12129361 - CABLE SIZE WAS 0.35	422257	ORA	JAA	JFF
18SE14	R	09	-	-	DIMENSION AND NOTE CLARIFICATIONS	427671	MM	JMS	JDD
300C14	R	10	-	-	12177007 & 12129361: 2X 0.1 MIN SEE NOTE 8 WAS 2X 0.25 MIN; ADDED NOTE 8.	428085	MM	MM	JDD
14N016	R	11	-	-	12129361 & 12177007 - UPDATED PDM ATTRIBUTES	434891	JVM	JVM	LES



- NOTES
- UNLESS OTHERWISE SPECIFIED AND/OR INDICATED:  
DIMENSIONS ARE TO FACE OF VIEW SHOWN AND AUTOMATICALLY ROUNDED BY COMPUTER FOR INSPECTION (SEE MATH MODEL FOR PRECISE DIMENSIONS). FOR ALL OTHER DIMENSIONS NOT SHOWN BUT REQUIRED FOR TOOL BUILD, SEE MATH MODEL FOR PRECISE TOOL PATH DATA.
  - DO NOT PROBE, TEST OR OTHERWISE CONTACT THE INTERIOR REGION (THE SPRING OR ANY MOVING PART) OF THIS TERMINAL. SEVERE DAMAGE CAN OCCUR, COMPROMISING THE PERFORMANCE OF THE ELECTRICAL INTERFACE.
  - MAXIMUM CURRENT CAPACITY IS 5 AMPS.
  - MATING CONNECTOR 12092404, 12191747 OR EQUIVALENT
  - REFER TO C-4006 AND Q-1000 SPECIFICATIONS FOR PRODUCT PERFORMANCE REQUIREMENT.
  - MATING SQUARE BLADE DEFINED BY EWCAP-001 USCAR Blades rev J.
  - TERMINAL MUST RETAIN A 0.64 SQUARE HARDENED STEEL PIN 200 GRAMS IN WEIGHT, INSERTED 3.9mm FROM FRONT OF TERMINAL. REFER TO EWCAP-001 USCAR Blades rev J FOR PIN TIP GEOMETRY.
  - THE SUM ON THE TWO CONTACT ARM TIP TO SIDEWALL GAP MEASUREMENTS (INSPECTION DIM #1) MUST BE 0.5 MIN.

PART NO	REV	N/P	SIZE (MM²)	DIA	ID	MAT'L SPEC	CONTACT INTERFACE	F
12177007	A12	-	0.35-0.5	1.63 MAX	22	GOLD PLATED HIGH PERF COPPER ALLOY	GOLD	2.1 +/-0.2
12129361	A12	-	0.35-0.5	1.63 MAX	22	TIN PLATED HIGH PERF COPPER ALLOY	TIN	2.1 +/-0.2
12092440	H3	-	0.35	1.63 MAX	22	-	TIN	2.1

(10) PROCESS SENSITIVE DIMENSION
DIMENSIONS ENCLOSED IN ( ) INDICATE REFERENCE DIMENSIONS AND NO TOLERANCE LIMITS ARE ESTABLISHED
DIMENSIONAL RANGE (MM) CHART D
FROM 0 TO 12 >12
TOLERANCE UNLESS OTHERWISE SPECIFIED ±0.1 ±0.2
ANGULAR TOLERANCE ±2°

INDICATES THAT PHYSICAL PARTS ARE NOT AVAILABLE FOR ORDERING.	
PART NUMBERS THAT DO NOT HAVE A LINE PRESENT INDICATE THAT PHYSICAL PARTS ARE AVAILABLE FOR ORDERING.	
CONTACT DELPHI SALES TO ASSURE AVAILABILITY OF PARTS.	
DWG TYPE	PART DRAWING
STYLE	
VOLUME (C/P)	DISTR CODE D
UNLESS OTHERWISE SPECIFIED	
THIS DOCUMENT IS IN ACCORDANCE WITH ASME Y14.5M-1994 AS AMENDED BY THE 0M GLOBAL DIMENSIONING AND TOLERANCING ADDENDUM - 1997. ALL GEOMETRIC TOLERANCES AND RELATED DATUMS APPLY RFS. RULE #1 (PERFECT FORM AT MMPI) DOES NOT APPLY WHEN RELATIONSHIP BETWEEN FEATURES IS ESTABLISHED BY ORIENTATION OR LOCATION TOLERANCES. SEPARATE POSITION CALLOUTS MAY BE GAGED SEPARATELY, REGARDLESS OF DATUM REFERENCE.	
ALL DIMENSIONS ARE IN MILLIMETERS	
REFERENCE	
THIRD ANGLE PROJECTION	DO NOT SCALE
USE MATH DATA	NX

**DELPHI**  
DELPHI PACKARD ELECTRICAL/ELECTRONIC ARCHITECTURE  
WARREN, OH  
COPYRIGHT 1988 DELPHI CORPORATION AND/OR ITS AFFILIATES. ALL RIGHTS RESERVED.  
REVISION 2016  
THIS DRAWING IS THE PROPERTY OF DELPHI CORPORATION AND CONTAINS DELPHI CONFIDENTIAL INFORMATION. THE REPRODUCTION, DISTRIBUTION AND UTILIZATION OF THIS DOCUMENT OR ITS RELATED CAD MATH DATA, AS WELL AS COMMUNICATION OF ANY CONTENT TO OTHERS, WITHOUT EXPRESS AUTHORIZATION, IS PROHIBITED.

DR	DATE
APVD1 ROGER WAYT	01FE88
APVD2 TOM NADASKY	14MY88
APVD3 JOHN YURTIN	26MY88
APVD4	
APVD5	

SUBSTANCES OF CONCERN AND RECYCLED CONTENT PER DELPHI-A 10949001

MATERIAL SEE CHART

DRAWING NAME  
TAXI TERM F MIC/P 064 LOCKING LANCE

DRAWING NUMBER  
**12092439**

SIZE A1	SCALE 10:1	FRAME NO 1 OF 1	SHEET NO 1 OF 1	STG R	REV 11	N/P -
---------	------------	-----------------	-----------------	-------	--------	-------

## X-ON Electronics

Largest Supplier of Electrical and Electronic Components

*Click to view similar products for [Automotive Connectors](#) category:*

*Click to view products by [APTIV](#) manufacturer:*

Other Similar products are found below :

[003-018-000](#) [60403001](#) [60993906-B](#) [629515004020001](#) [M902-2131](#) [M902-2161](#) [72.330.1035.1](#) [73.353.4028.0](#) [F119300-B](#) [F166900](#)  
[F258300-B](#) [F358300-B](#) [F407400](#) [F444110](#) [F487000](#) [F509500B-B](#) [827153-1](#) [8N1515-32-24P](#) [9-1326729-8](#) [925474-1](#) [928905-1](#) [964562-4](#)  
[968782-1](#) [GT17SA-8DS-HU](#) [98891-1012](#) [98947-1016](#) [12004475-L](#) [12010290](#) [12010309-B](#) [12015454](#) [12020219-B](#) [12020308](#) [12041318-B](#)  
[12052225-L](#) [12052466](#) [12059125](#) [12064869](#) [12004327-B](#) [12010503-B](#) [12015308](#) [12015384](#) [12015909](#) [1-21030-1](#) [12041254](#) [12041318](#)  
[12047946-B](#) [12047957](#) [12047957-L](#) [12059473](#) [12066261](#)