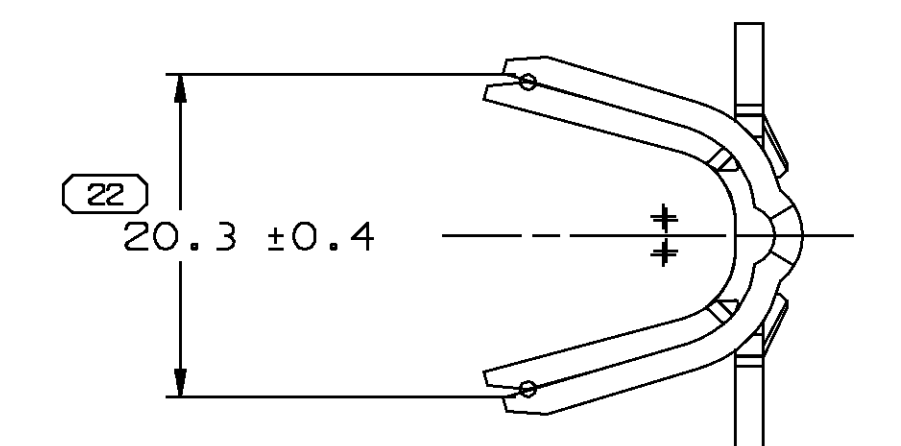
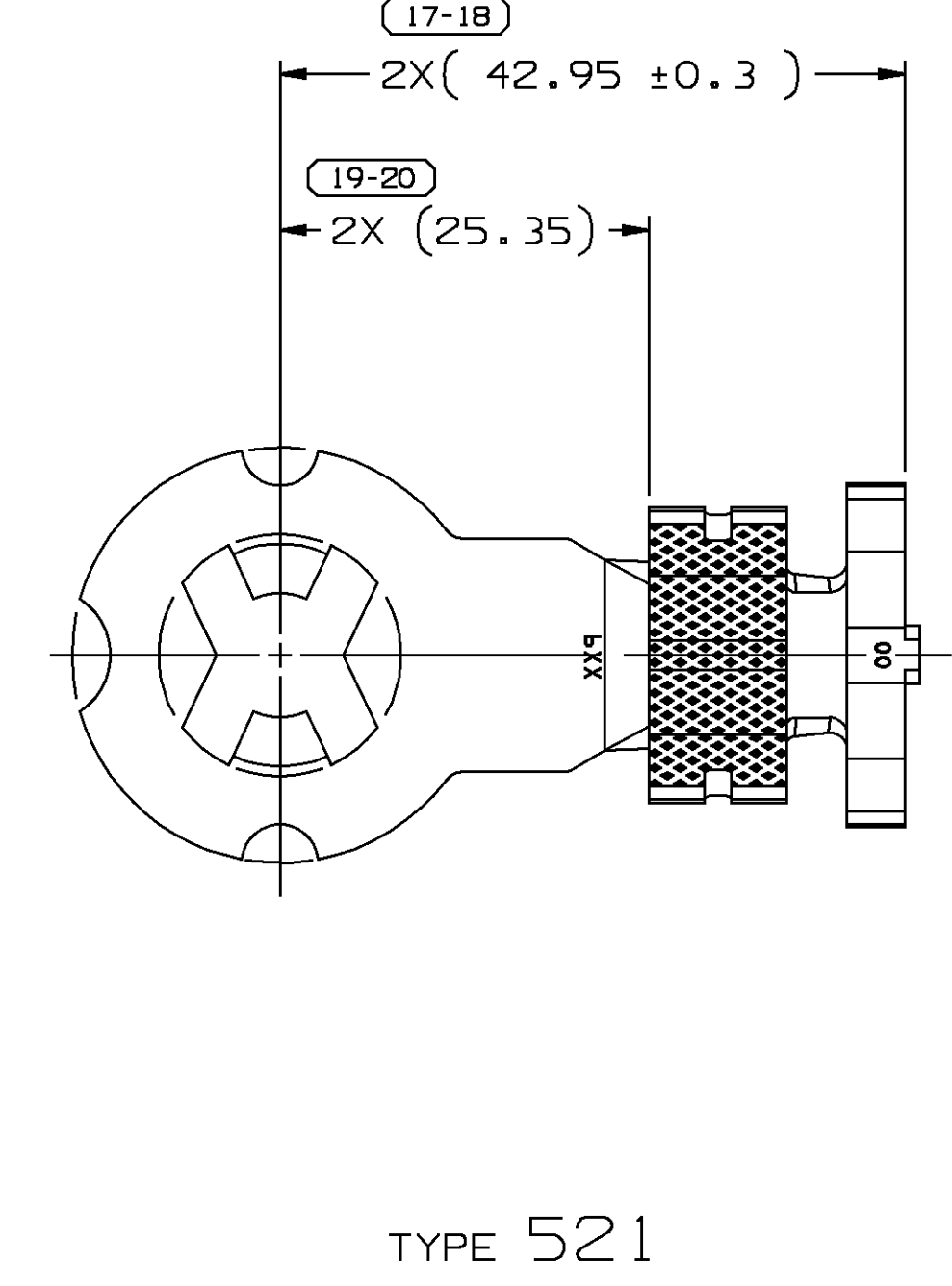
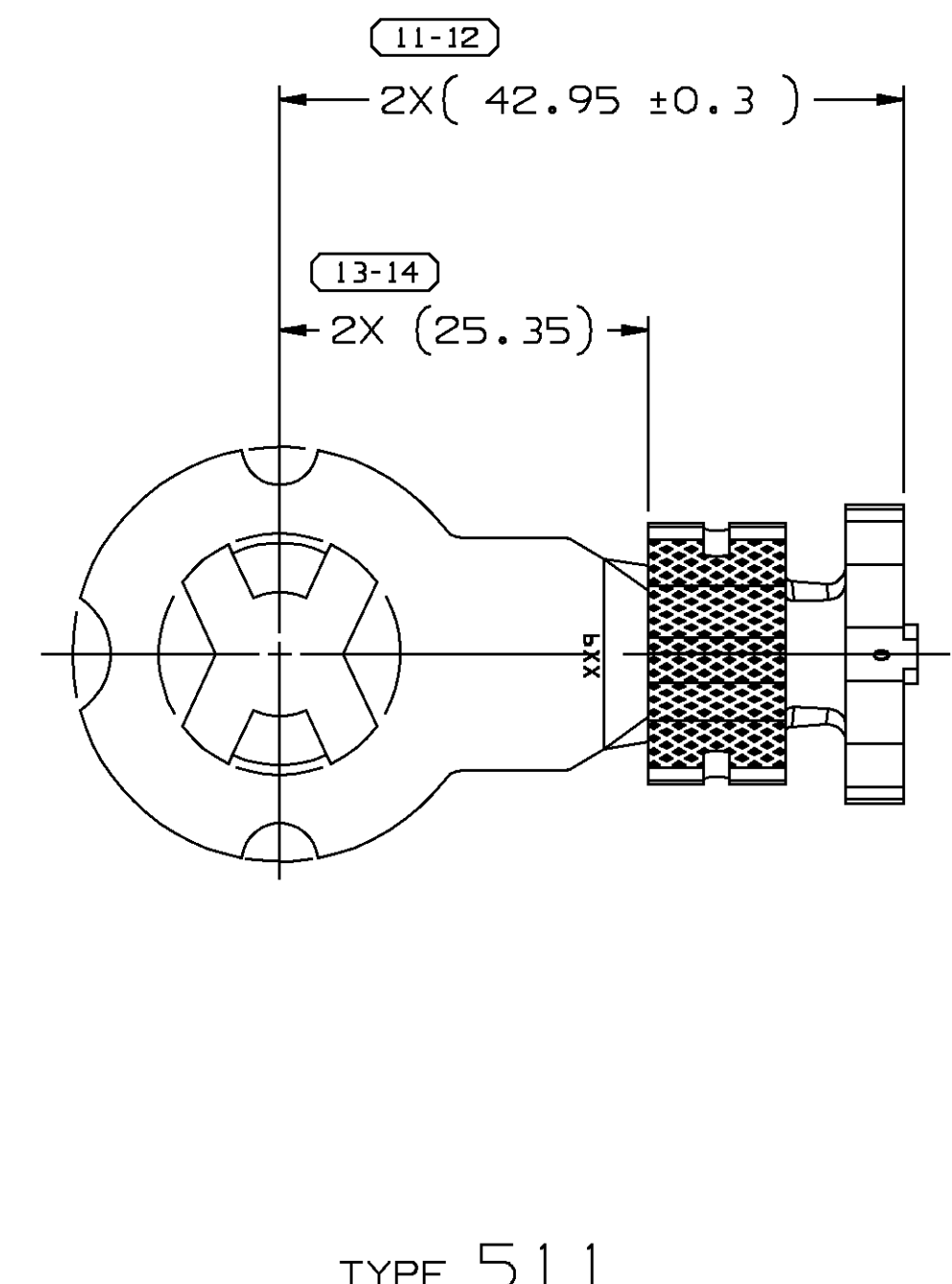
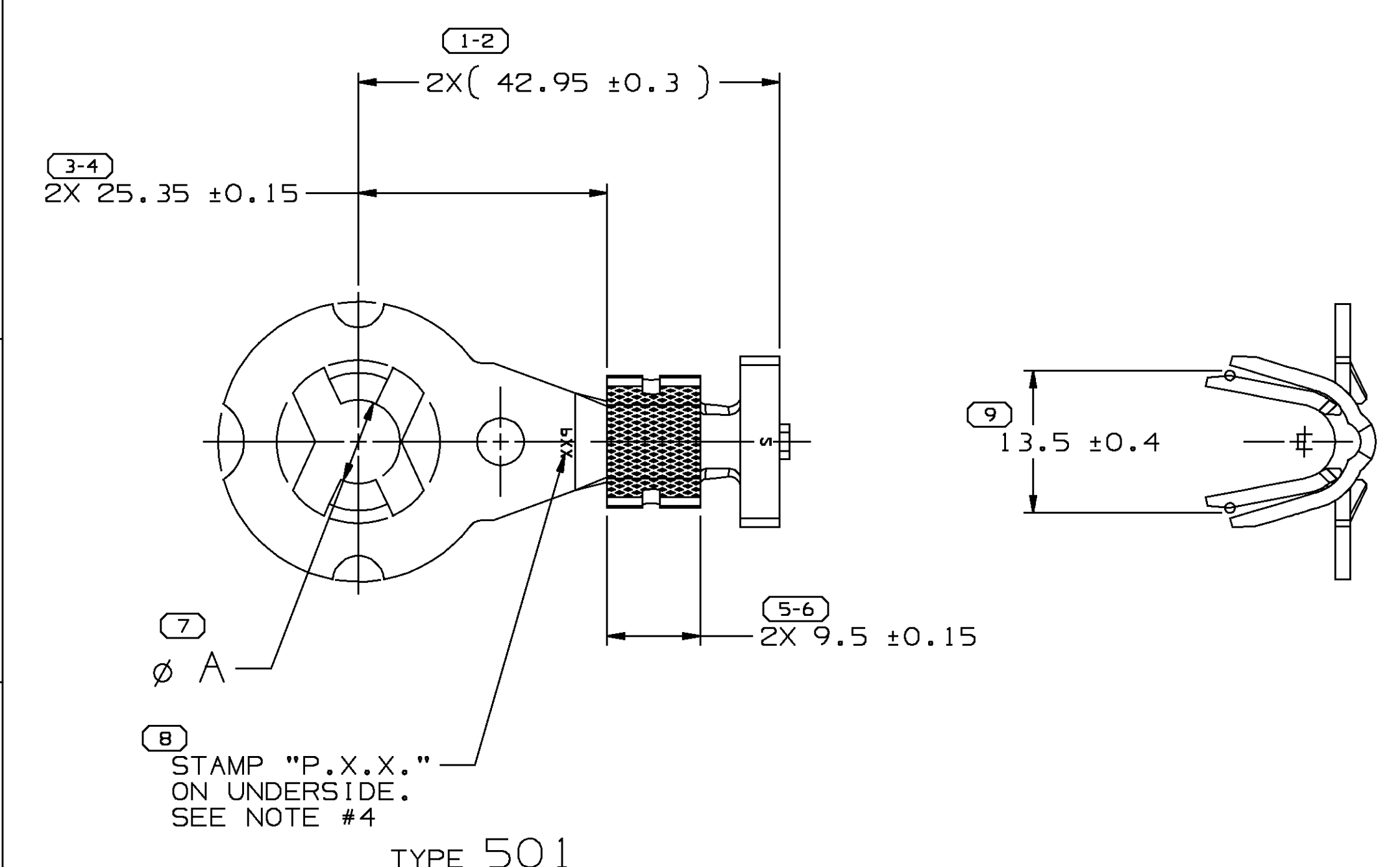


SYMBOL DEFINITION		MISSING NUMBERS		DWG STATUS			REVISION HISTORY			AUTH							
THE NUMBER INSIDE THE SYMBOL CORRESPONDS TO THE NUMBER ON THE INSPECTION REPORT FOR THIS DRAWING/PART NUMBER	TOTAL NO. OF SYMBOLS ON DRAWING	LAST NO. USED	15	22	DATE	STG	REV	CHG	N/P	ZONE	REVISED	DATE	DR	CK	APVD		
					28AP99	R	001	-	-		CLEARED REVISION COLUMN AND	15354967	-	193753	JTV	JHV	JF
					25SE99	R	002	-	-		16.4 +/- 0.4 WAS 17.3 +/- 0.4			196705	JTV	JVM	JF
					22OC99	R	003	-	-		15354967 - 16.7 +/- 0.4 WAS 16.4 +/- 0.4			197410	AAS	MVA	JF



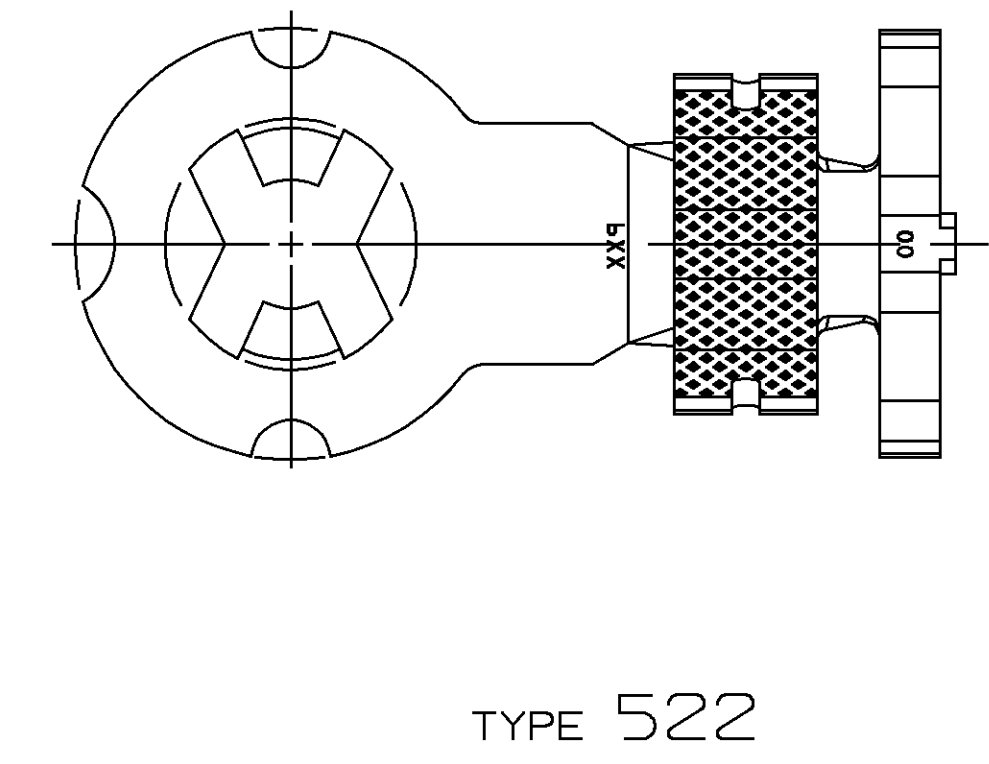
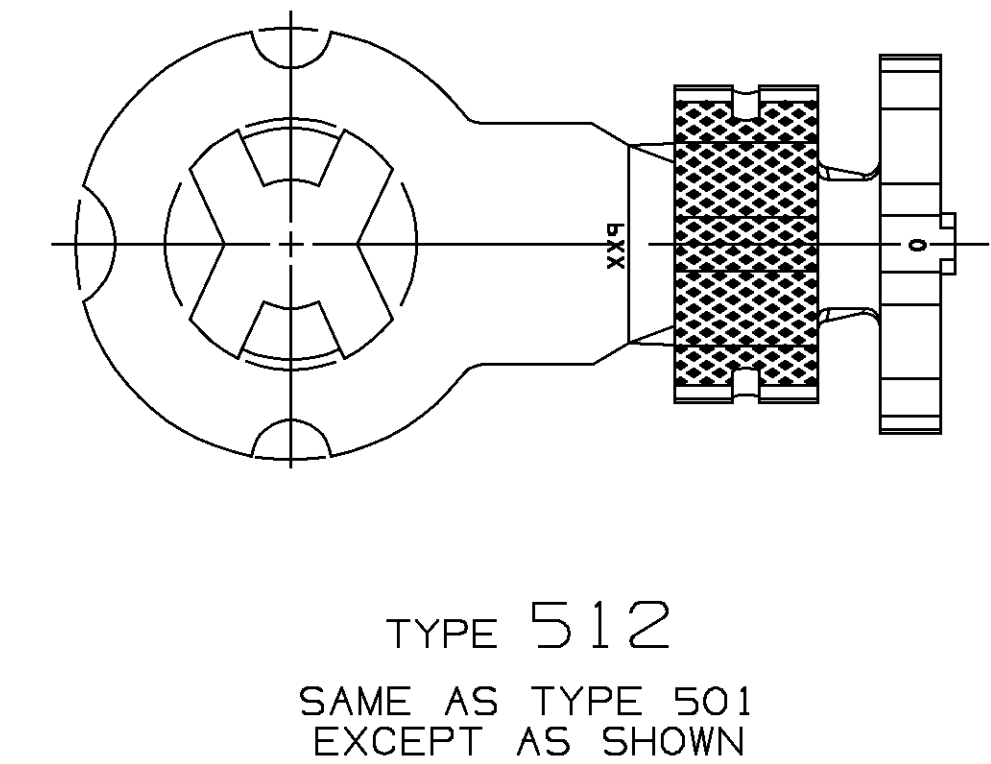
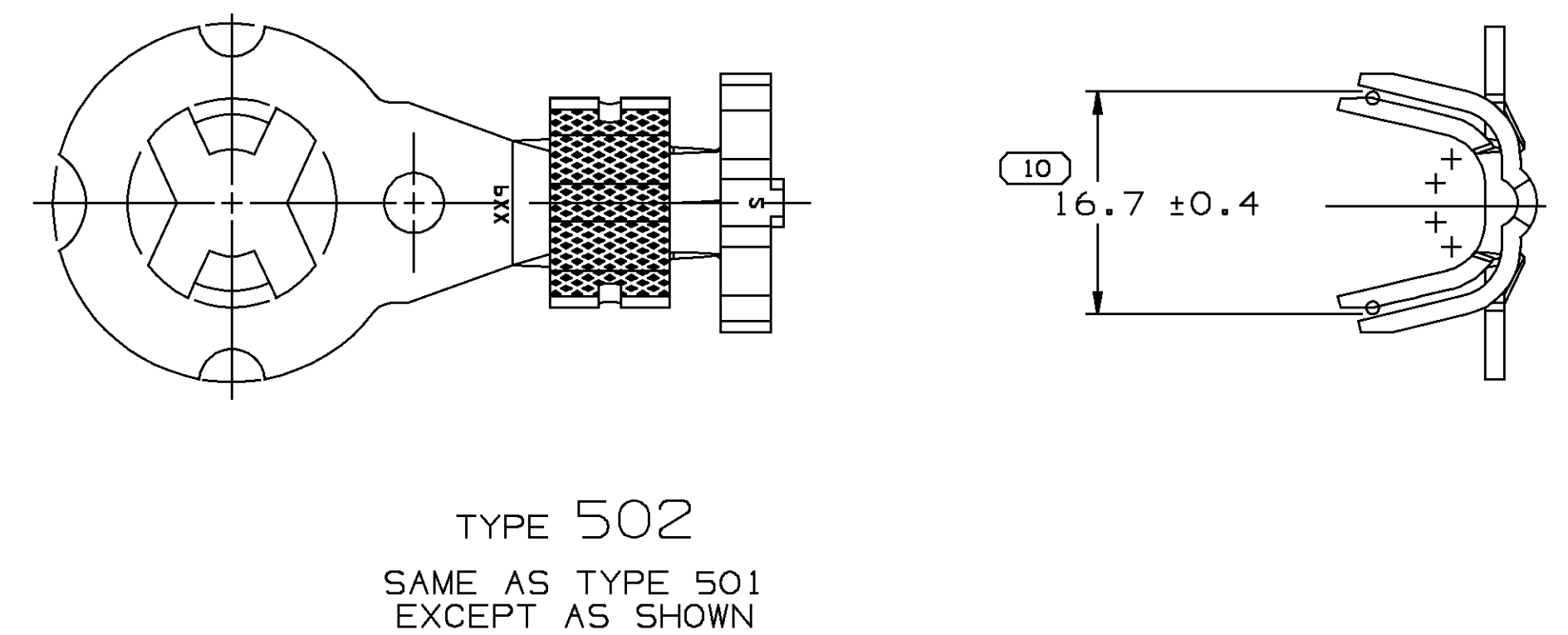
TYPE 511
SAME AS TYPE 501
EXCEPT AS SHOWN

TYPE 521
SAME AS TYPE 501
EXCEPT AS SHOWN

(32 MM²)

(50 MM²)

(62 MM²)



TYPE 502
SAME AS TYPE 501
EXCEPT AS SHOWN

TYPE 512
SAME AS TYPE 501
EXCEPT AS SHOWN

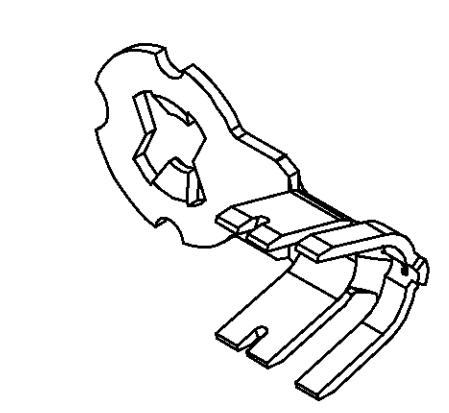
TYPE 522
SAME AS TYPE 501
EXCEPT AS SHOWN

CONSULT ESA-605 FOR CABLE SIZE AND COMBINATIONS USED WITH EACH TERMINAL

PART NO	STG	REV	N/P	STATUS	MATERIAL SPECIFICATION AND COLOR	SIZE	SIZE MM ²	DIA	GAGE	TYPE	DEDUCT	BARBS
15354967	R	A3			PM001598-174 210 GILDING EX SPR SN PLTD	1.52 X 40.49		32	502	25.35		X
15326134	R	A1			PM001573-229 260 CART BRS 1/2 HD SN PLTD	1.83 X 42.90		50	511	25.35		X
15326133	R	A1			PM001573-174 260 CART BRS 1/2 HD SN PLTD	1.52 X 40.49		32	501	25.35		X
12191287	R	A3			PM001598-229 210 GILDING EX SPR SN PLTD	1.83 X 42.90		50	512	25.35		X
12177187	R	A4			PM001598-182 210 GILDING EX SPR SN PLTD	1.83 X 46.02		62	521	25.35		-
12177185	R	A2			PM001598-229 210 GILDING EX SPR SN PLTD	1.83 X 42.90		50	511	25.35		-
12146466	R	B4			PM001598-174 210 GILDING EX SPR SN PLTD	1.52 X 40.49		32	501	25.35		X
12129465	R	C3			PM001598-229 210 GILDING EX SPR SN PLTD	1.83 X 42.90		50	511	25.35		X
12129221	R	E5			PM001598-182 210 GILDING EX SPR SN PLTD	1.83 X 46.02		62	521	25.35		X

- NOTES
- UNLESS OTHERWISE SPECIFIED AND/OR INDICATED: DIMENSIONS ARE TO FACE OF VIEW SHOWN AND AUTOMATICALLY ROUNDED BY COMPUTER FOR INSPECTION. (SEE MATH MODEL FOR PRECISE DIMENSIONS.) FOR ALL OTHER DIMENSIONS NOT SHOWN BUT REQUIRED FOR TOOL BUILD, SEE MATH MODEL FOR PRECISE TOOL PATH DATA.
 - FOR SOLDERABILITY REQUIREMENTS, SEE ESO-1503.
 - FOR ALTERNATIVE CABLE APPLICATIONS, SEE ESA-605.
 - "P.X.X." INDICATES "P" PLUS LAST TWO DIGITS OF MAKE DIE SERIES NUMBER. (PO1, PO2 & ETC.)

9.9+/-0.13	3/B	M10
A DIA	STANDARD	METRIC
	SCREW/STUD SIZE	



DELPHI
Automotive Systems

MATERIAL SPEC SEE CHART

DIMENSIONAL RANGE (MM) CHART D

FROM TO	0 12	> 12
TOLERANCE UNLESS OTHERWISE SPECIFIED	±0.1	±0.2
ANGULAR TOLERANCE	± 2°	

PART DRAWING

CODE NUMBER 6900
OC SPEC

DWG DATE 10FE92
STYLE

SCALE 2:1
VOLUME cm³

PART GEOMETRY 3D SOLID

UNLESS OTHERWISE SPECIFIED:
PERFECT FORM REQUIRED FOR FEATURES OF SIZE AT MMC. TRUE POSITION TOLERANCES AND RELATED DATUMS APPLY AT CONDITION OF SIZE INDICATED IN FEATURE CONTROL FRAME. ALL OTHER GEOMETRIC TOLERANCES AND RELATED DATUMS APPLY RFS. SEPARATE TRUE POSITION CALLOUTS MAY BE GAGED SEPARATELY, REGARDLESS OF DATUM REFERENCE.

CHANGE RESTRICTED NO MANUAL CHANGES

COPY OF MATH DATA DO NOT SCALE

REFERENCE 005,705

DR APVD1 J. KENNEDY 10FE92
APVD2 J. COLDSNOW 09MR92
APVD3 T. MORELLO 13MR92
APVD4
APVD5

METRIC UNLESS OTHERWISE SPECIFIED, ALL DIMENSIONS ARE IN MILLIMETERS

THIRD ANGLE PROJECTION

DRAWING NAME TAXI TERM BATT STRIGHT RING

SHEET NUMBER 5 OF 5

DRAWING NUMBER 12129597

DWG STATUS R 003

SIZE A0

(7) PROCESS SENSITIVE DIMENSION

DIMENSIONS ENCLOSED IN () INDICATE REFERENCE DIMENSIONS AND NO TOLERANCE LIMITS ARE ESTABLISHED

X-ON Electronics

Largest Supplier of Electrical and Electronic Components

Click to view similar products for [Automotive Connectors](#) category:

Click to view products by [APTIV](#) manufacturer:

Other Similar products are found below :

[003-018-000](#) [60403001](#) [60993906-B](#) [629515004020001](#) [M902-2131](#) [M902-2161](#) [72.330.1035.1](#) [73.353.4028.0](#) [F119300-B](#) [F166900](#)
[F258300-B](#) [F358300-B](#) [F407400](#) [F444110](#) [F487000](#) [F509500B-B](#) [827153-1](#) [8N1515-32-24P](#) [9-1326729-8](#) [925474-1](#) [928905-1](#) [964562-4](#)
[968782-1](#) [GT17SA-8DS-HU](#) [98891-1012](#) [98947-1016](#) [12004475-L](#) [12010290](#) [12010309-B](#) [12015454](#) [12020219-B](#) [12020308](#) [12041318-B](#)
[12052225-L](#) [12052466](#) [12059125](#) [12064869](#) [12004327-B](#) [12010503-B](#) [12015308](#) [12015384](#) [12015909](#) [1-21030-1](#) [12041254](#) [12041318](#)
[12047946-B](#) [12047957](#) [12047957-L](#) [12059473](#) [12066261](#)