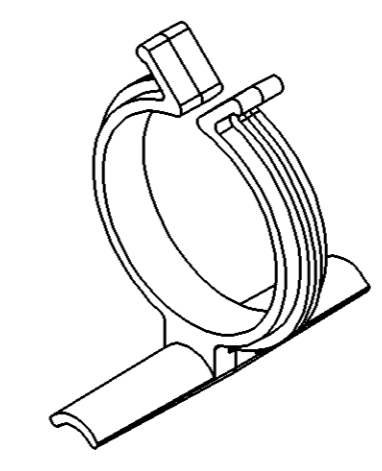
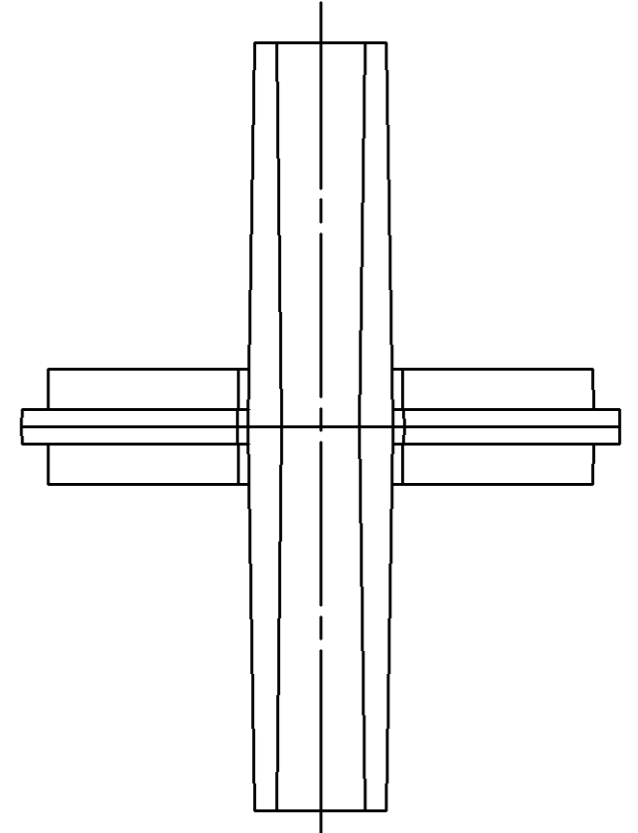
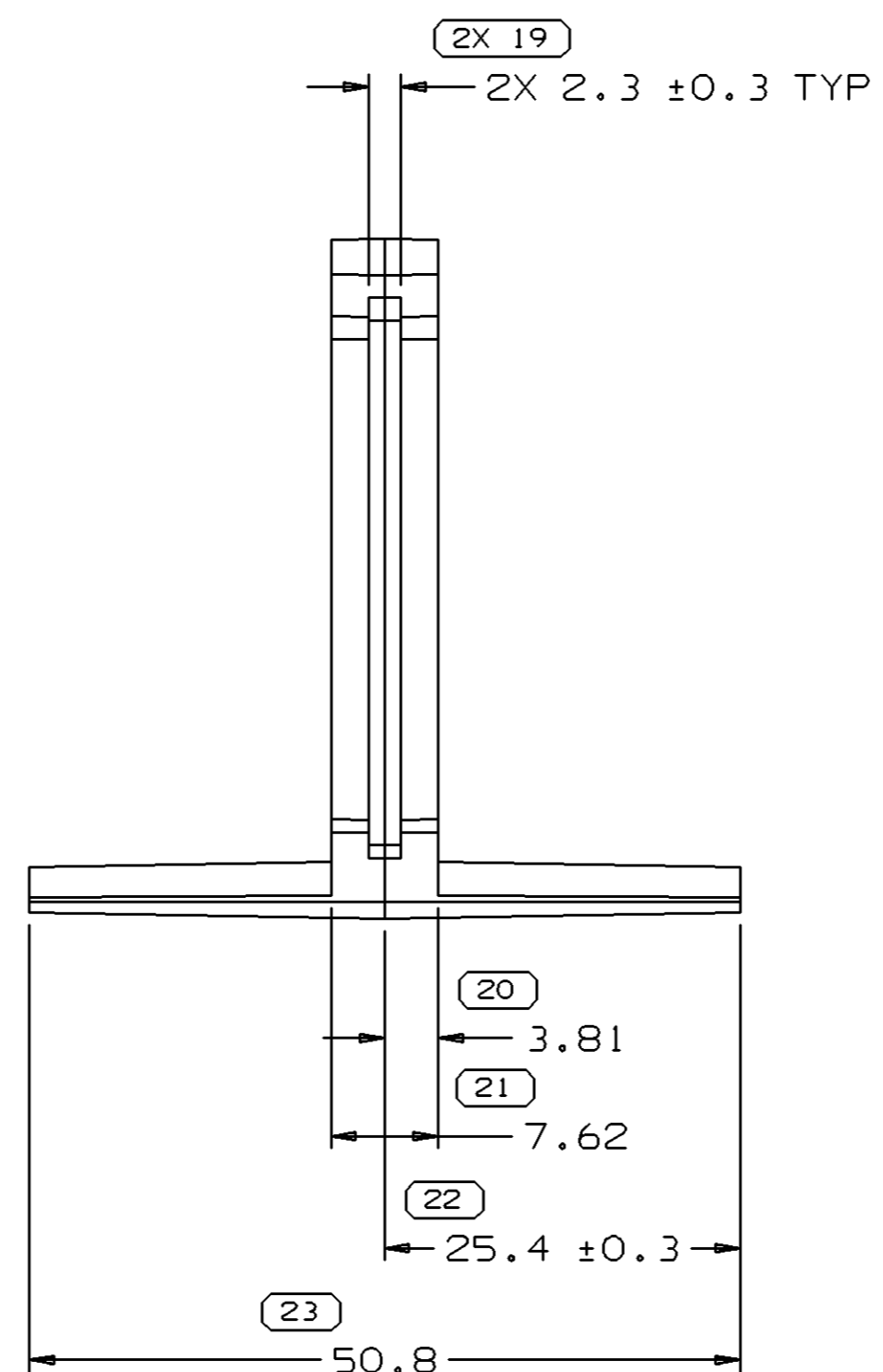
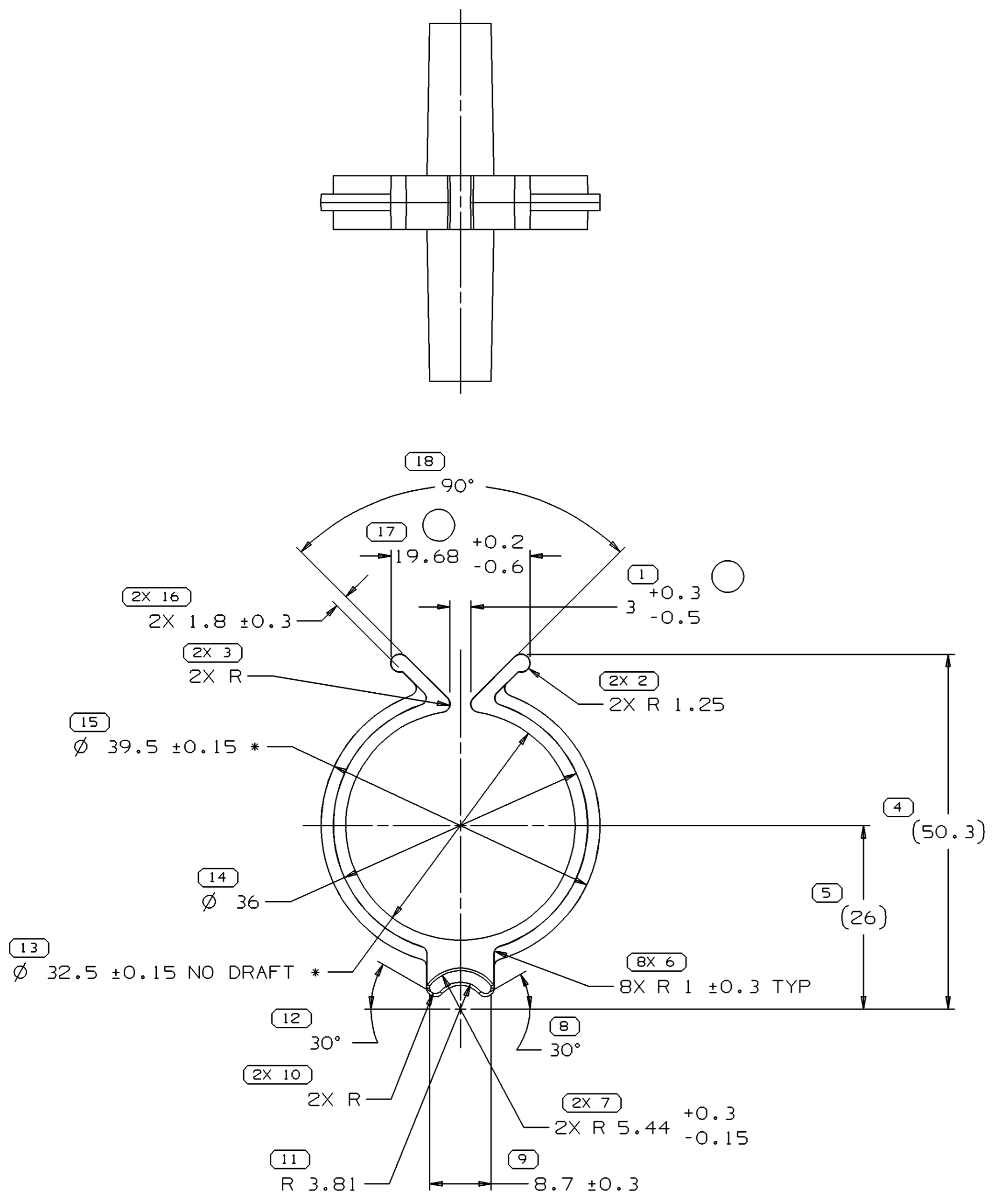


SYMBOL DEFINITION		MISSING SYMBOLS	
A DIMENSION WITHOUT AN INSPECTION REPORT SYMBOL () DOES NOT REQUIRE INSPECTION. IT MAY BE CONTROLLED ON THE INDIVIDUAL COMPONENT DRAWING.	TOTAL NO OF INSPECTIONS REQUIRED	NO MISSING SYMBOL NUMBER	36
	LAST NO. USED		23

DWG STATUS					ZONE	REVISION HISTORY	AUTH	DR	APVD1	APVD2
DATE	STG	REV	N/P	CHG						
02JN04	R	D3	-	-		CLEARED REV COLUMN, REDRAWN TO PD AND UPDATED PDM ATTRIBUTES	255318	JAA	JAA	EJH
23AU05	R	D4	-	-		3 +0.3/-0.5 WAS 3 ±0.3, 19.68 +0.2/-0.6 WAS 19.68	271705	TAI	TAI	TP



NOTES

- UNLESS OTHERWISE SPECIFIED AND/OR INDICATED:
DIMENSIONS ARE TO FACE OF VIEW SHOWN AND AUTOMATICALLY ROUNDED BY COMPUTER FOR INSPECTION (SEE MATH MODEL FOR PRECISE DIMENSIONS). FOR ALL OTHER DIMENSIONS NOT SHOWN BUT REQUIRED FOR TOOL BUILD, SEE MATH MODEL FOR PRECISE TOOL PATH DATA. 1° DRAFT ON ALL SURFACES
- MATERIAL RECYCLING CODE >PA66< PER ISO 11469. (2)X(0.1) CHARACTERS AS SHOWN TO BE LOCATED ON ANY EXTERIOR SURFACE.
- (2)X(0.1) DELPHI CORPORATE BRAND TO BE LOCATED ON ANY EXTERIOR SURFACE, PREFERABLY VISIBLE AT FINAL ASSEMBLY. OPTIONAL CONSTRUCTION TO BE "PED".
- DIMENSIONS MARKED "*" TO BE INSPECTED WHEN 19.68 DIMENSION IS HELD AT NOMINAL

(23) PROCESS SENSITIVE DIMENSION
DIMENSIONS ENCLOSED IN () INDICATE REFERENCE DIMENSIONS AND NO TOLERANCE LIMITS ARE ESTABLISHED

DIMENSIONAL RANGE (MM)		CHART E1	
FROM	TO	>70	>150
>0	>20	>30	>100
>20	>30	>70	>150
>30	>70	>100	>200
>70	>100	>150	>250
>100	>150	>200	>300
>150	>200	>250	>400
TOLERANCE UNLESS OTHERWISE SPECIFIED			
±0.15	±0.2	±0.3	±0.4
±0.3	±0.4	±0.5	±0.6
±0.6	±0.8	±1	±1.2
ANGULAR TOLERANCE ±2°			

DWG TYPE	PART DRAWING	
STYLE		
VOLUME (CM ³)	3.333	DISTR CODE
		D
UNLESS OTHERWISE SPECIFIED		
THIS DOCUMENT IS IN ACCORDANCE WITH ASME Y14.5M-1994 AS AMENDED BY THE GM GLOBAL DIMENSIONING AND TOLERANCING ADDENDUM-2001. SEPARATE PATTERNS OF FEATURES MAY BE GAGED SEPARATELY REGARDLESS OF DATUM REFERENCES.		
ALL DIMENSIONS ARE IN MILLIMETERS		
REFERENCE	08917698	
THIRD ANGLE PROJECTION	DO NOT SCALE	
USE MATH DATA	UNIGRAPHICS	

DELPHI
DELPHI PACKARD ELECTRIC SYSTEMS
WARREN, OH

DR	DATE
APVD1 D. MIZNER	22JA92
APVD2 D.A. PFAFFINGER	23MR92
APVD3 D.A. PFAFFINGER	23MR92
APVD4	
APVD5	
SUBSTANCES OF CONCERN AND RECYCLED CONTENT PER DELPHI 10949001	
MATERIAL M3592001 PA66 HS IM BLK	
DRAWING NAME	
MOUN CLIP TAPE ON SPECIAL	
DRAWING NUMBER	
12129659	
SIZE	SCALE
A1	2:1
FRAME NO	SHEET NO
1 OF 1	1 OF 1
STG	REV
R	D4
N/P	-

X-ON Electronics

Largest Supplier of Electrical and Electronic Components

Click to view similar products for [Automotive Connectors](#) category:

Click to view products by [APTIV](#) manufacturer:

Other Similar products are found below :

[003-018-000](#) [60403001](#) [60993906-B](#) [M902-2131](#) [M902-2161](#) [72.330.1035.1](#) [73.353.4028.0](#) [F119300-B](#) [F166900](#) [F258300-B](#) [F358300-B](#)
[F407400](#) [F444110](#) [F487000](#) [F509500B-B](#) [827153-1](#) [8N1515-32-24P](#) [9-1326729-8](#) [925474-1](#) [928905-1](#) [964562-4](#) [968782-1](#) [GT17SA-8DS-](#)
[HU](#) [98891-1012](#) [98947-1016](#) [12004475-L](#) [12010290](#) [12010309-B](#) [12015454](#) [12020219-B](#) [12020308](#) [12041318-B](#) [12052225-L](#) [12052466](#)
[12059125](#) [12064869](#) [12004327-B](#) [12010503-B](#) [12015308](#) [12015384](#) [12015909](#) [1-21030-1](#) [12041254](#) [12041318](#) [12047946-B](#) [12047957](#)
[12047957-L](#) [12059473](#) [12066261](#) [12110546](#)