
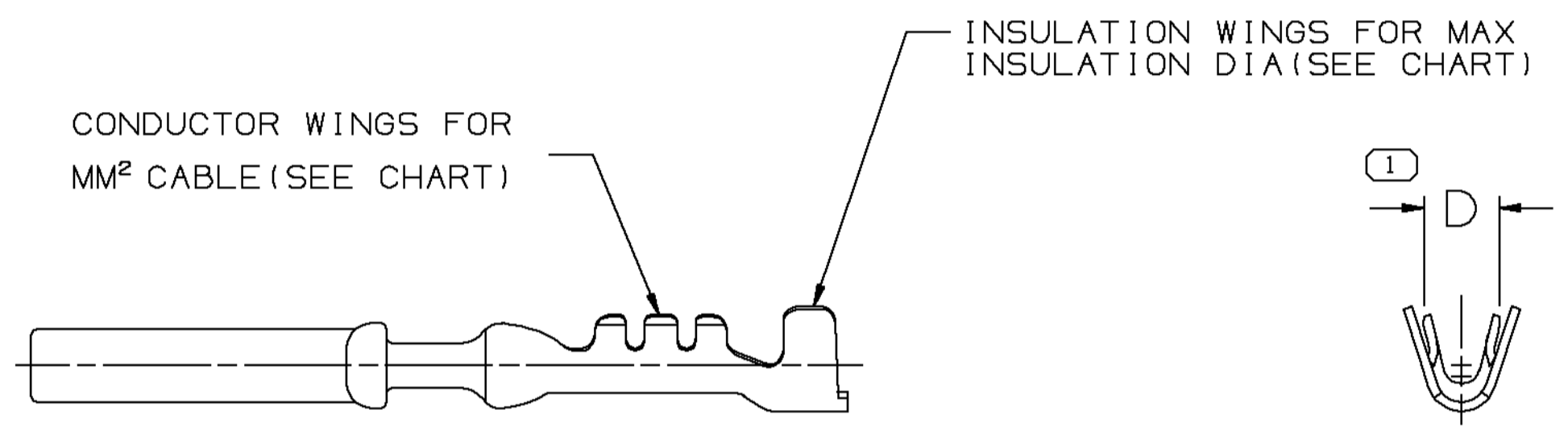
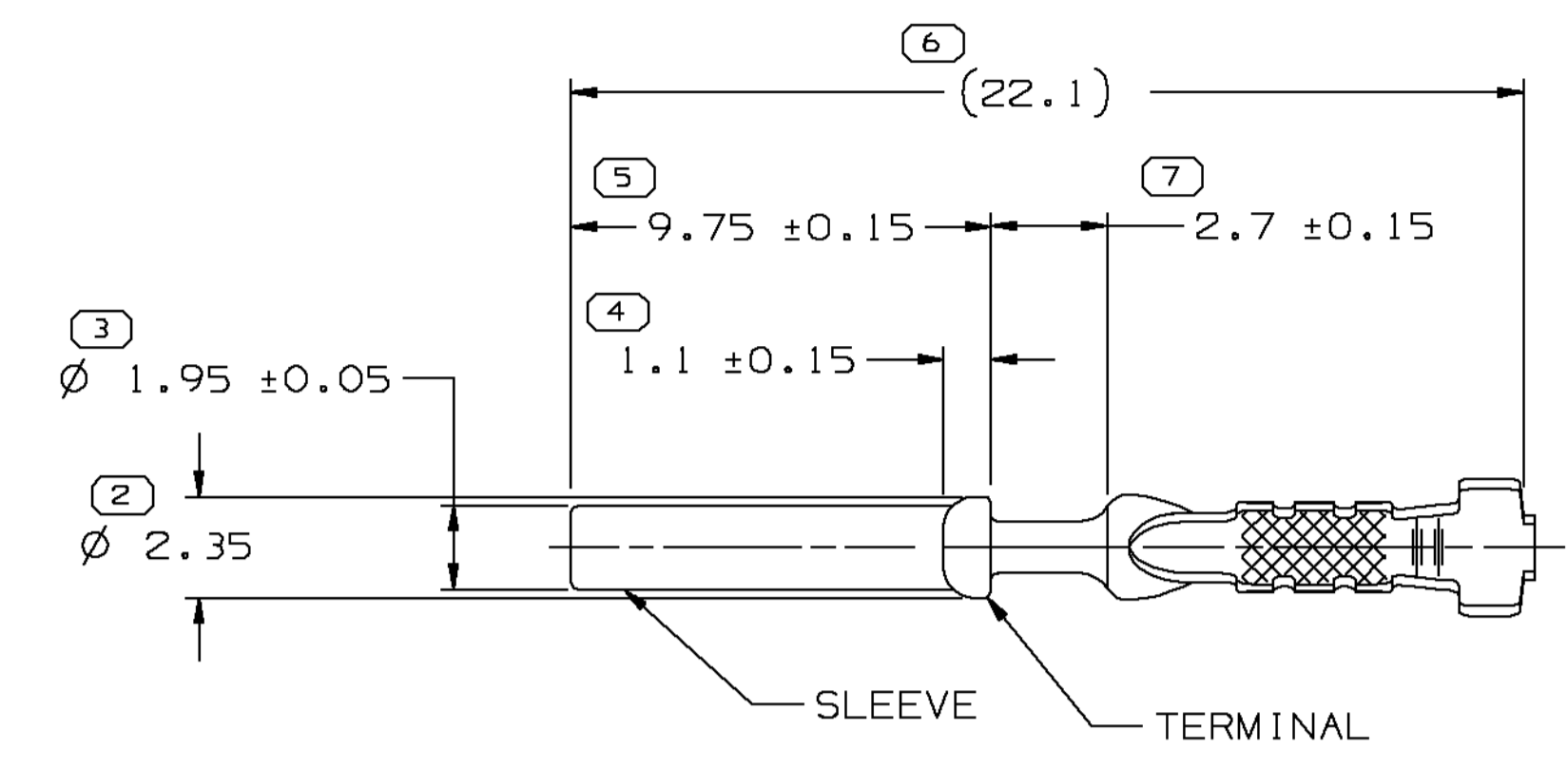


SYMBOL DEFINITION	
A DIMENSION WITHOUT AN INSPECTION REPORT SYMBOL  DOES NOT REQUIRE INSPECTION, IT MAY BE CONTROLLED ON THE INDIVIDUAL COMPONENT DRAWING.	TOTAL NO OF INSPECTIONS REQUIRED
	7
	LAST NO. USED
	7

MISSING SYMBOLS				DWG STATUS			REVISION HISTORY			AUTH		DR		APVD	
DATE	STG	REV	N/P	CHG	ZONE										
20JAO3	R	01	-	-		REDRAWN TO PD & ADDED NOTE			235560	JGR	EOV	EDL			



MATERIAL:
 TERMINAL - 0.25 MM THK CDA 510 HALF HARD PHOSPHOR BRONZE
 SLEEVE - STAINLESS SLEEVE, OVERALL GOLD NICKEL PLATED

PLATING NOTE:
 TERMINAL IS SELECTIVELY NICKEL, TIN & GOLD PLATED.

- NOTES:**
- UNLESS OTHERWISE SPECIFIED AND/OR INDICATED: DIMENSIONS ARE TO FACE OF VIEW SHOWN AND AUTOMATICALLY ROUNDED BY COMPUTER FOR INSPECTION (SEE MATH MODEL FOR PRECISE DIMENSIONS). FOR ALL OTHER DIMENSIONS NOT SHOWN BUT REQUIRED FOR TOOL BUILD, SEE MATH MODEL FOR PRECISE TOOL PATH DATA.
 - MATING COMPONENTS: CONNECTOR 12129771 OR EQUIVALENT. PIN 12129730 OR EQUIVALENT.
 - FORCE REQUIRED TO PULL SLEEVE FROM TERMINAL AFTER ASSEMBLY, 80N MINIMUM.
 - MAXIMUM CURRENT CAPACITY IS 7 AMPS.
 - TERMINALS MUST FIT A MAX 2.54 MM DIA. GAGE HOLE 12.0 MM DEEP AFTER CRIMPING.

PART NO	REV	N/P	STATUS	SIZE (MM²)	±0.08 DIA	ID NO.	D	±0.2
12146034	B1	-		0.35-0.5	1.92	21	2.1	
12129750	B1	-		0.8	2.04	18	2.5	
				CABLE				

N/A PROCESS SENSITIVE DIMENSION	
DIMENSIONS ENCLOSED IN () INDICATE REFERENCE DIMENSIONS AND NO TOLERANCE LIMITS ARE ESTABLISHED	
DIMENSIONAL RANGE (MM)	CHART D
FROM 0	>12
TO 12	
TOLERANCE UNLESS OTHERWISE SPECIFIED	
±0.1	±0.2
ANGULAR TOLERANCE ±2°	

DWG TYPE PART DRAWING	
STYLE	
VOLUME (CM³)	DISTR CODE
ROUTING	D
6901	
UNLESS OTHERWISE SPECIFIED	
THIS DOCUMENT IS IN ACCORDANCE WITH ASME Y14.5M-1994 AS AMENDED BY THE 0M GLOBAL DIMENSIONING AND TOLERANCING ADDENDUM - 1997. ALL GEOMETRIC TOLERANCES AND RELATED DATUMS APPLY RFS. RULE #1 (PERFECT FORM AT MMC) DOES NOT APPLY WHEN RELATIONSHIP BETWEEN FEATURES IS ESTABLISHED BY ORIENTATION OR LOCATION TOLERANCES. SEPARATE POSITION CALLOUTS MAY BE GAGED SEPARATELY, REGARDLESS OF DATUM REFERENCE. ALL DIMENSIONS ARE IN MILLIMETERS	
REFERENCE	

THIRD ANGLE PROJECTION	DO NOT SCALE
USE MATH DATA	UNIGRAPHICS

DELPHI	
DELPHI PACKARD ELECTRIC SYSTEMS WARREN, OH	
DR	DATE
APVD1 J. CANO	30MY96
APVD2 W. TURNBULL	30MY96
APVD3 V. BANCROFT	19JN96
APVD4	
APVD5	
SUBSTANCES OF CONCERN AND RECYCLED CONTENT PER DELPHI 10949001	
MATERIAL: SEE DRAWING	
DRAWING NAME: TAXI ASM TERM F MIC/P 100	
DRAWING NUMBER: 12084911	
SIZE A1	SCALE 6:1
FRAME NO 1 OF 1	SHEET NO 2 OF 2
STG R	REV 01
N/P -	

X-ON Electronics

Largest Supplier of Electrical and Electronic Components

Click to view similar products for [Automotive Connectors](#) category:

Click to view products by [APTIV](#) manufacturer:

Other Similar products are found below :

[003-018-000](#) [60403001](#) [60993906-B](#) [629515004020001](#) [M902-2131](#) [M902-2161](#) [72.330.1035.1](#) [73.353.4028.0](#) [F119300-B](#) [F166900](#)
[F258300-B](#) [F358300-B](#) [F407400](#) [F444110](#) [F487000](#) [F509500B-B](#) [827153-1](#) [8N1515-32-24P](#) [9-1326729-8](#) [925474-1](#) [928905-1](#) [964562-4](#)
[968782-1](#) [GT17SA-8DS-HU](#) [98891-1012](#) [98947-1016](#) [12004475-L](#) [12010290](#) [12010309-B](#) [12015454](#) [12020219-B](#) [12020308](#) [12041318-B](#)
[12052225-L](#) [12052466](#) [12059125](#) [12064869](#) [12004327-B](#) [12010503-B](#) [12015308](#) [12015384](#) [12015909](#) [1-21030-1](#) [12041254](#) [12041318](#)
[12047946-B](#) [12047957](#) [12047957-L](#) [12059473](#) [12066261](#)