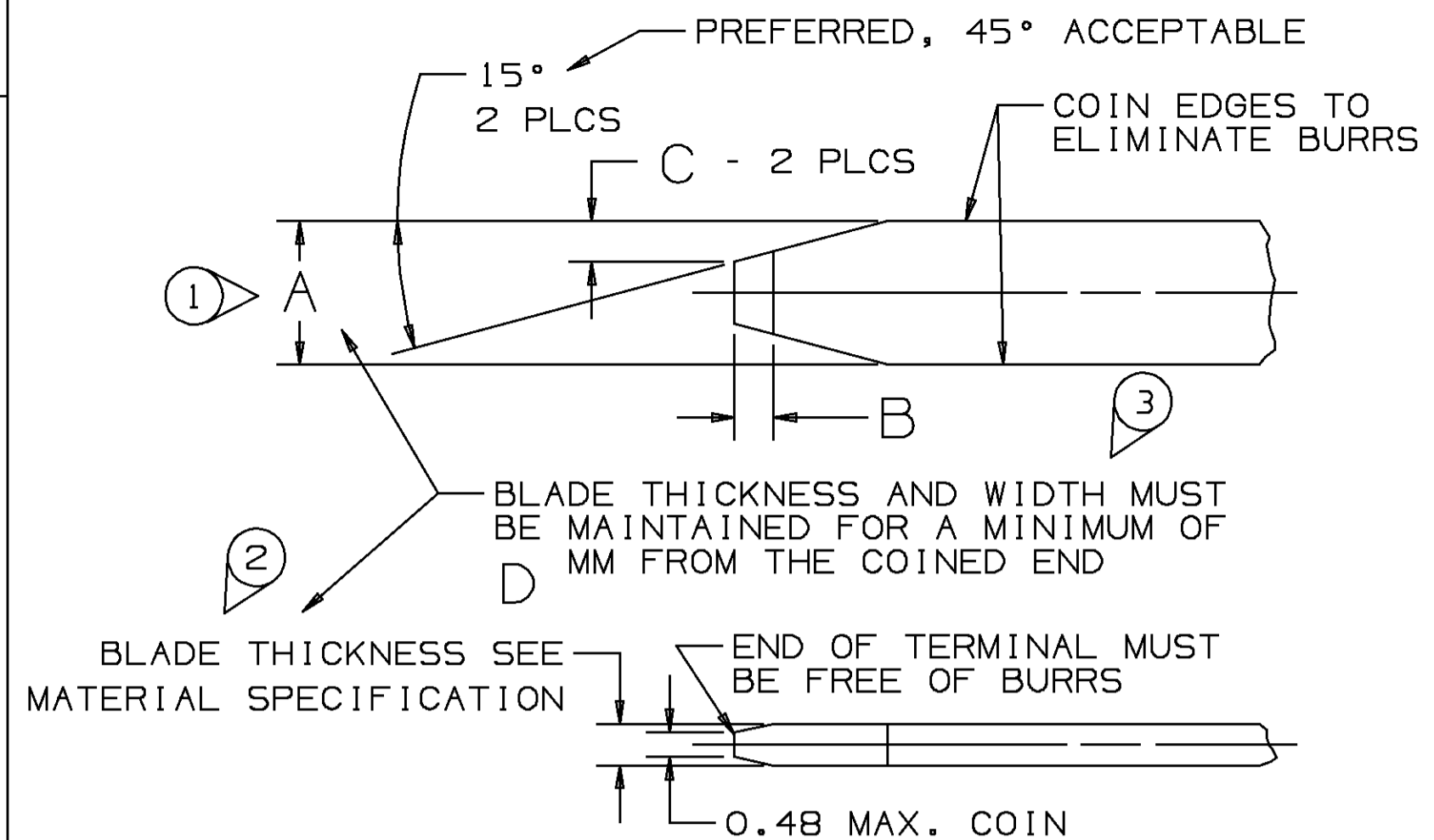


DO NOT SCALE



SERIES	A	B	C	D
	±0.10	±0.15		MIN
150	1.50	1.00	0.5±0.1	7.40
280	2.80	0.76±0.25	0.8±0.3	8.90

### MATERIAL SPECIFICATIONS

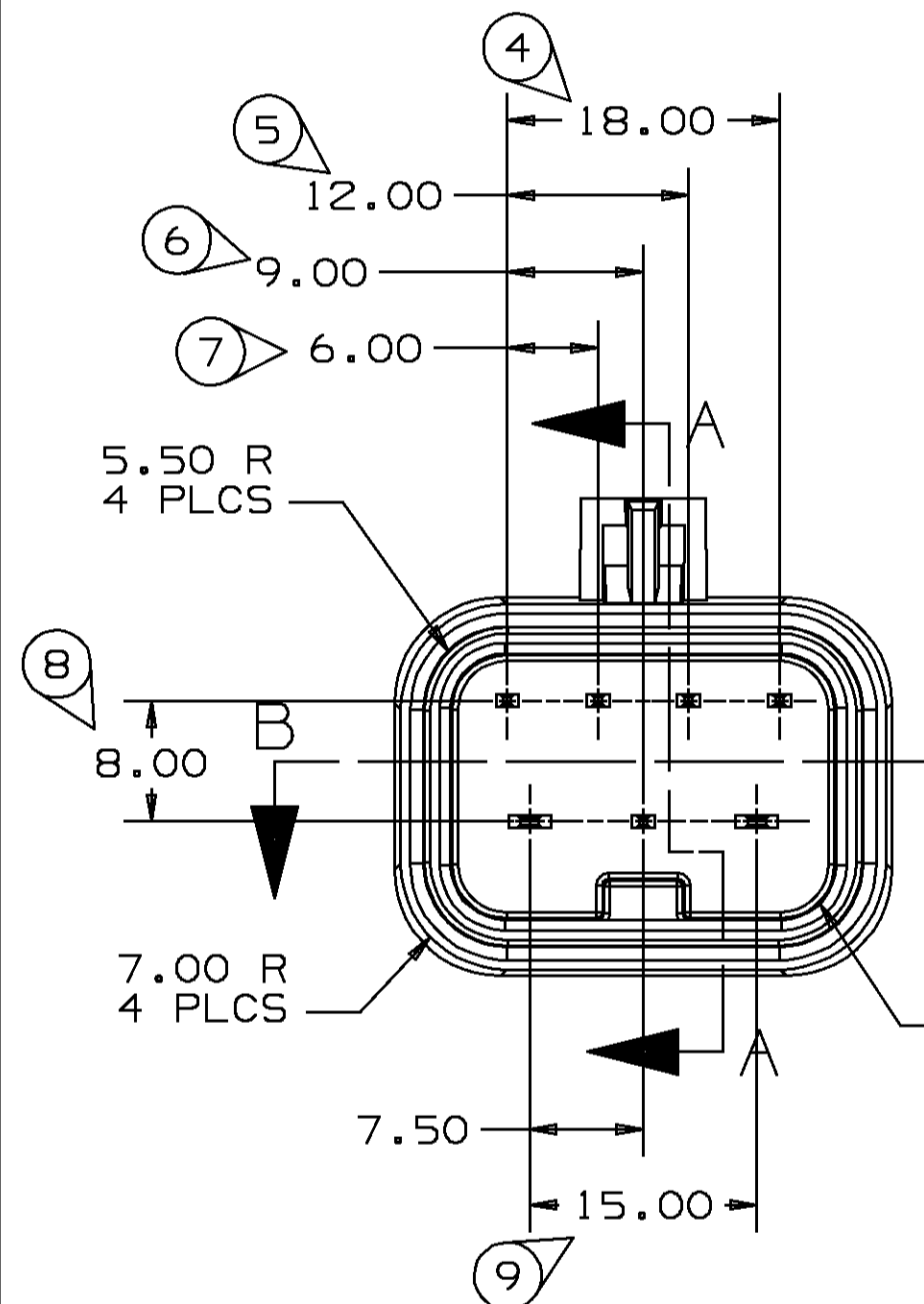
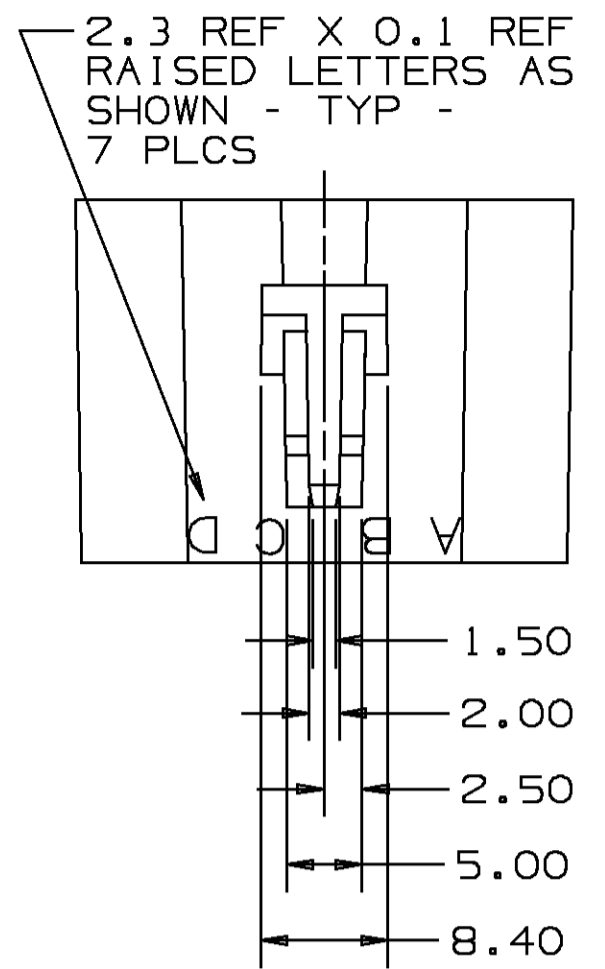
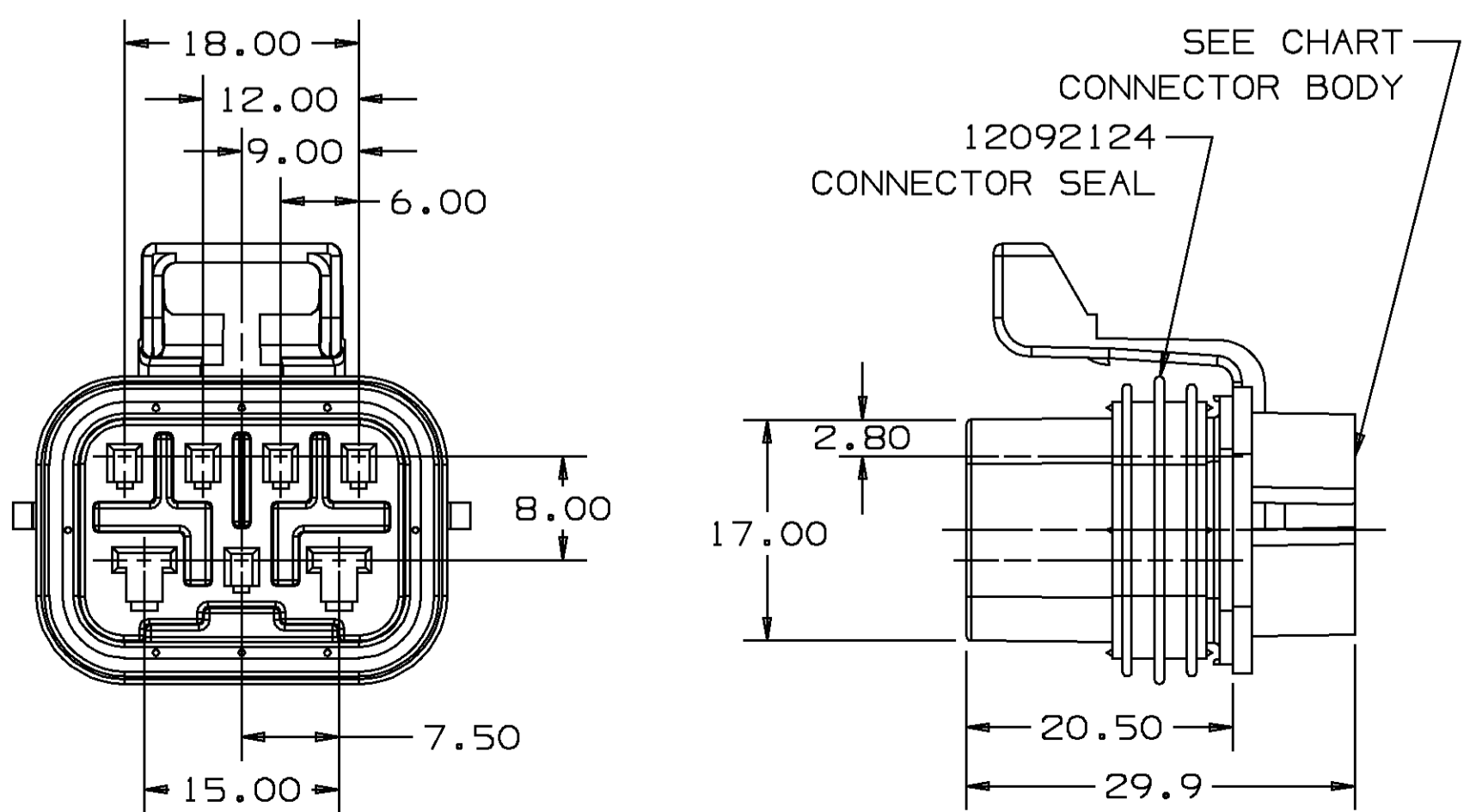
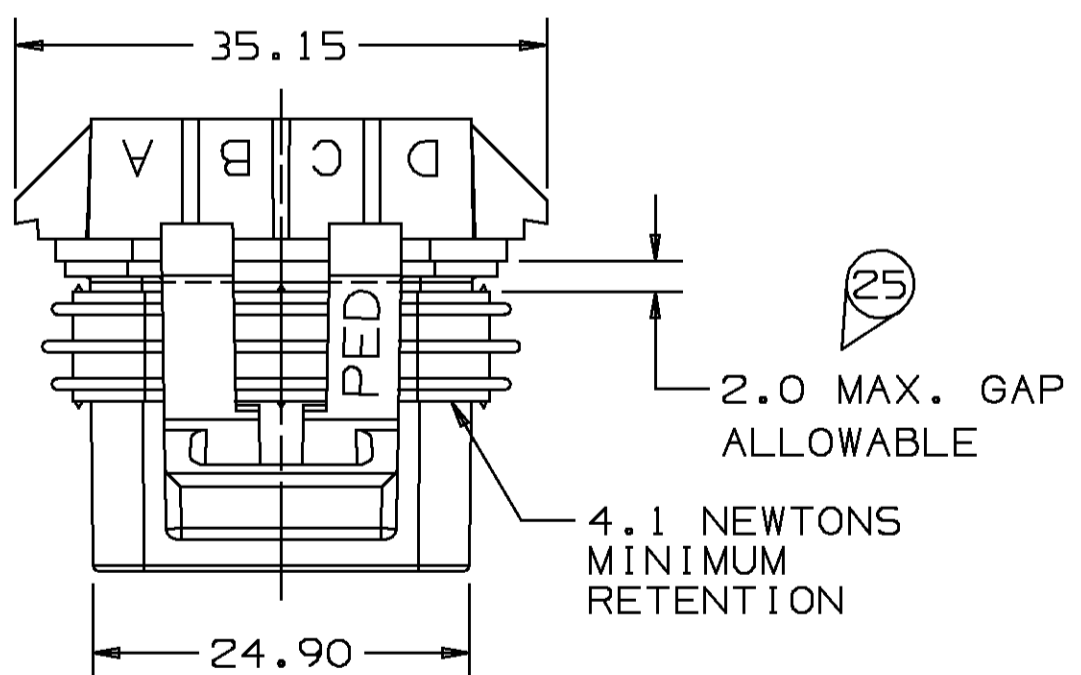
**RECOMMENDED :**  
**BASE METAL** - CDA-210, GILDING, EXTRA SPRING TEMPER.  
**PLATING** - 0.0050±0.0025 MM THICK TIN.

**MINIMUMS :**  
**ELECTRICAL CONDUCTIVITY** - ≥20% IACS AT 20°C. USE OF A MATERIAL WITH CONDUCTIVITY < 20% IACS MUST BE APPROVED BY PACKARD ELECTRIC MATERIALS ENGINEERING.  
**TENSILE STRENGTH** - 407 MPa.  
**PLATING** - FOR LOW ENERGY (≤5V) AND NON-PASSENGER COMPARTMENT POWER CIRCUITS, 0.0050±0.0025 MM THICK TIN. FOR MATERIALS CONTAINING 10% OR MORE ZINC, AN UNDERPLATE OF COPPER 0.0050±0.0025 MM THICK IS REQUIRED.

**BLADE THICKNESS**  
 UNPLATED = 0.813 ± 0.025  
 TIN PLATED = 0.823 ± 0.030

### MATING BLADE INFORMATION

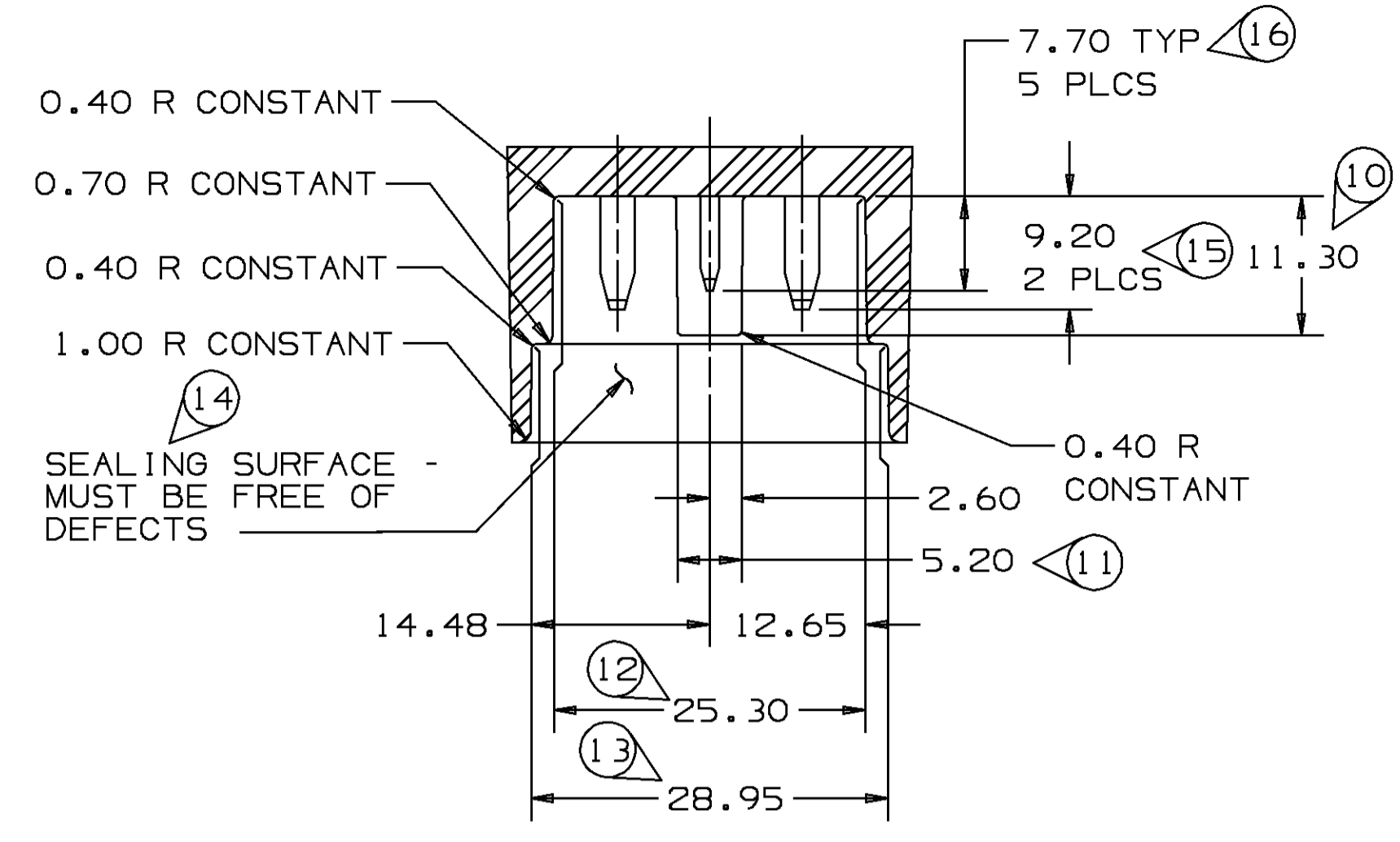
SCALE 8:1



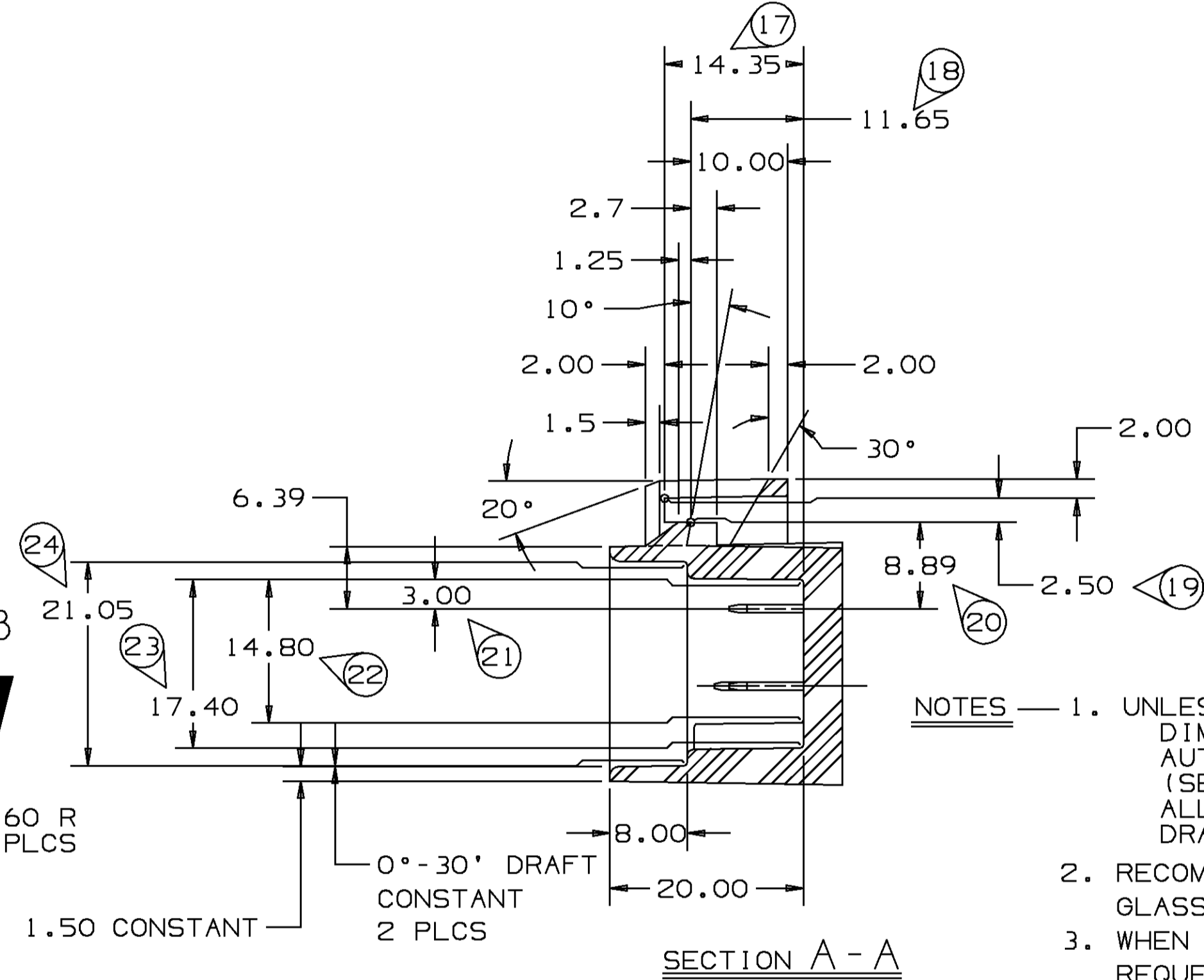
- NOTES** — 1. UNLESS OTHERWISE SPECIFIED AND/OR INDICATED: DIMENSIONS ARE TO FACE OF VIEW SHOWN AND AUTOMATICALLY ROUNDED BY COMPUTER FOR INSPECTION. (SEE MATH MODEL FOR PRECISE DIMENSION) CAVITIES A, B, C, D & F ARE IDENTICAL CAVITIES E & G ARE IDENTICAL
2. MATING COMPONENTS:  
 NEUTRAL SAFETY SWITCH  
 TERMINALS-  
 CAVITIES A, B, C, D & F USE 12048074 TERMINAL OR EQUIVALENT  
 CAVITIES E & G USE 12077413 TERMINAL OR EQUIVALENT  
 SECONDARY TERMINAL LOCK 12129841 OR EQUIVALENT  
 CABLE SEALS  
 12048086 OR EQUIVALENT -CAVITIES A, B, C, D & F  
 12015193 OR EQUIVALENT -CAVITIES E & G  
 CONNECTOR POSITION ASSURANCE LOCK 12020833 OR EQUIVALENT
3. SEALING CODE 3  
 DESIGN WILL PASS SALT FOG AND IMMERSION TEST AFTER CONDITIONING AS SPECIFIED IN ESA-644 (WEATHER-PACK), ESA-710 (METRI-PACK), ESA-650 (UNDERHOOD MICRO-PACK), C-4006 (WORLD CONNECTOR), ETC. - WHEN MATED TO MATING PART OR EQUIVALENT
4. WHEN PARTS ARE SHIPPED THEY MUST BE PACKED IN PLASTIC BAGS OR SHIPPING CONTAINERS MUST BE LINED WITH PLASTIC LINERS. BAGS OR LINERS MUST BE SEALED TO AVOID ENTRY OF FOREIGN MATTER.
5. FOR PART NUMBERS WITH ADHESIVE, USE PM003510 OR ADHESIVE APPROVED BY MATERIALS ENGINEERING TO GLUE CONNECTOR SEAL TO CONNECTOR

12186693	A		12176396	A	OBSOLETE
			12129840	C	
P/N WITH ADHESIVE	REV	STATUS	P/N WITHOUT ADHESIVE	REV	STATUS
			CONNECTOR BODY		

PART NO 1217 6415



### SECTION B-B



### SECTION A-A

- NOTES** — 1. UNLESS OTHERWISE SPECIFIED AND/OR INDICATED: DIMENSIONS ARE TO FACE OF VIEW SHOWN AND AUTOMATICALLY ROUNDED BY COMPUTER FOR INSPECTION. (SEE MATH MODEL FOR PRECISE DIMENSION) ALL RADII 0.40 DRAFT IS 1° ON ALL OUTSIDE SURFACES
2. RECOMMENDED MATERIAL :  
 GLASS FILLED NYLON OR POLYESTER.
3. WHEN USING THIS INFORMATION FOR A NEW DESIGN, REQUEST THE LATEST COPY OF THIS PRINT FROM PACKARD ELECTRIC DIVISION.

### MATING CONNECTOR INFORMATION

PART NO 1217 6415

### GENERAL NOTE

"O" DENOTES DIMENSIONS AND CHARACTERISTICS THAT ARE IMPORTANT TO THE FUNCTION AND/OR PROCESSING OF THE PART. IT DOES NOT NECESSARILY INDICATE AN SPC DIMENSION. THIS DRAWING HAS 25 SNOWCONES.

		<b>METRIC</b> DIMENSIONS ARE IN MILLIMETERS UNLESS OTHERWISE SPECIFIED	
TOLERANCE UNLESS OTHERWISE SPECIFIED ONE PLACE ±0.3 TWO PLACE ±0.15			
CODE NO 6900 QC -C-5110 DES			
DWG DATE 14N094 SCALE 2:1 REFERENCE NO 12176414 "A0" SIZE MATERIAL SPEC SEE DRAWING	DR FCO. KOPCA 14N094 CK D BRANTINGHAM 16N094 APPR JOHN KOUNTZ 23N094 VOL CM <sup>3</sup>		
NAME ASM CONN 7F M/P MXD			
PART NUMBER 1217 6415 SIZE A1			
PRODUCT INFORMATION DWG			

PACKARD ELECTRIC DIVISION GENERAL MOTORS CORPORATION WARREN, OHIO

## X-ON Electronics

Largest Supplier of Electrical and Electronic Components

*Click to view similar products for [Automotive Connectors](#) category:*

*Click to view products by [APTIV](#) manufacturer:*

Other Similar products are found below :

[003-018-000](#) [60403001](#) [60993906-B](#) [629515004020001](#) [M902-2131](#) [M902-2161](#) [72.330.1035.1](#) [73.353.4028.0](#) [F119300-B](#) [F166900](#)  
[F258300-B](#) [F358300-B](#) [F407400](#) [F444110](#) [F487000](#) [F509500B-B](#) [827153-1](#) [8N1515-32-24P](#) [9-1326729-8](#) [925474-1](#) [928905-1](#) [964562-4](#)  
[968782-1](#) [GT17SA-8DS-HU](#) [98891-1012](#) [98947-1016](#) [12004475-L](#) [12010290](#) [12010309-B](#) [12015454](#) [12020219-B](#) [12020308](#) [12041318-B](#)  
[12052225-L](#) [12052466](#) [12059125](#) [12064869](#) [12004327-B](#) [12010503-B](#) [12015308](#) [12015384](#) [12015909](#) [1-21030-1](#) [12041254](#) [12041318](#)  
[12047946-B](#) [12047957](#) [12047957-L](#) [12059473](#) [12066261](#)