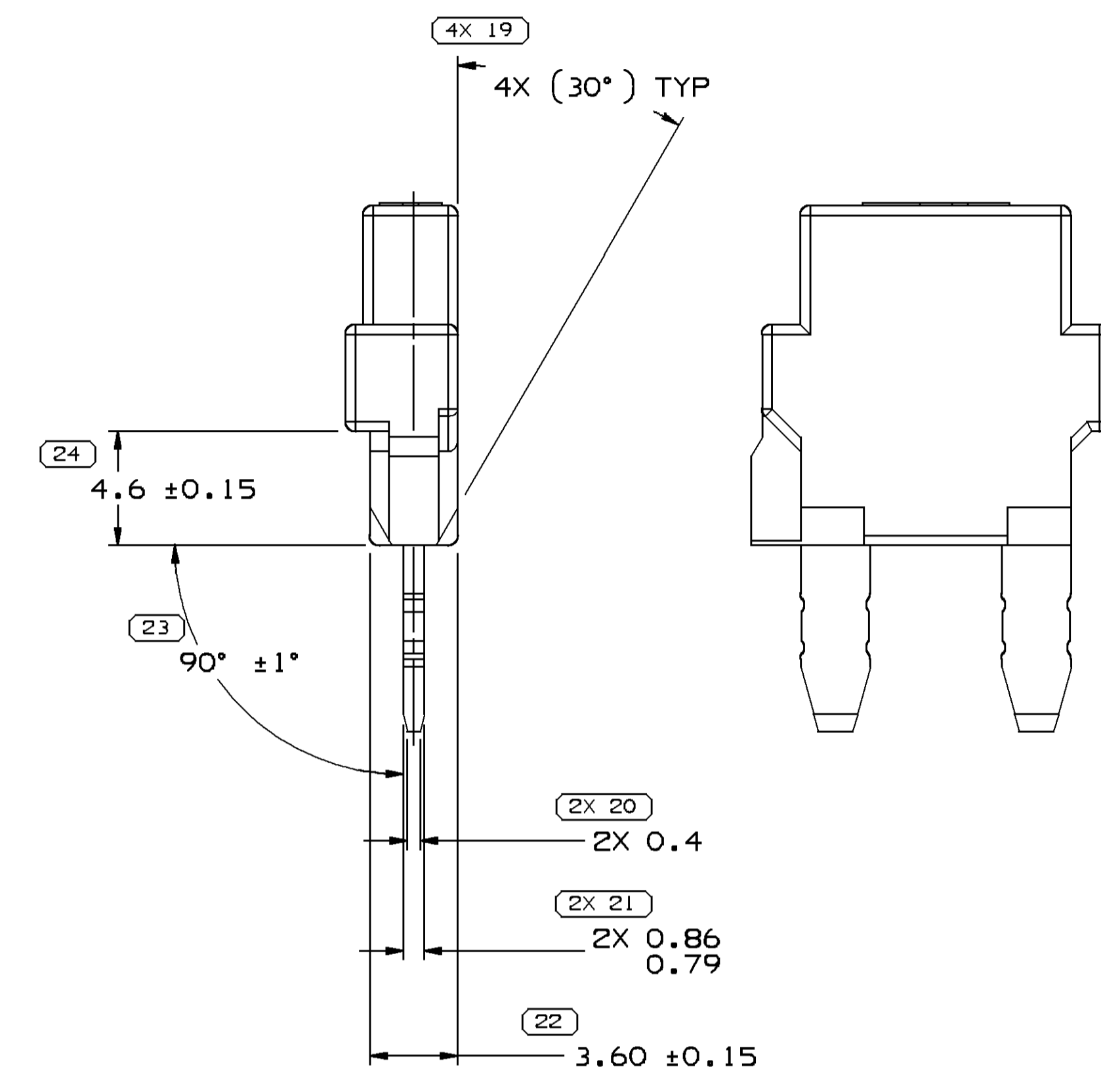
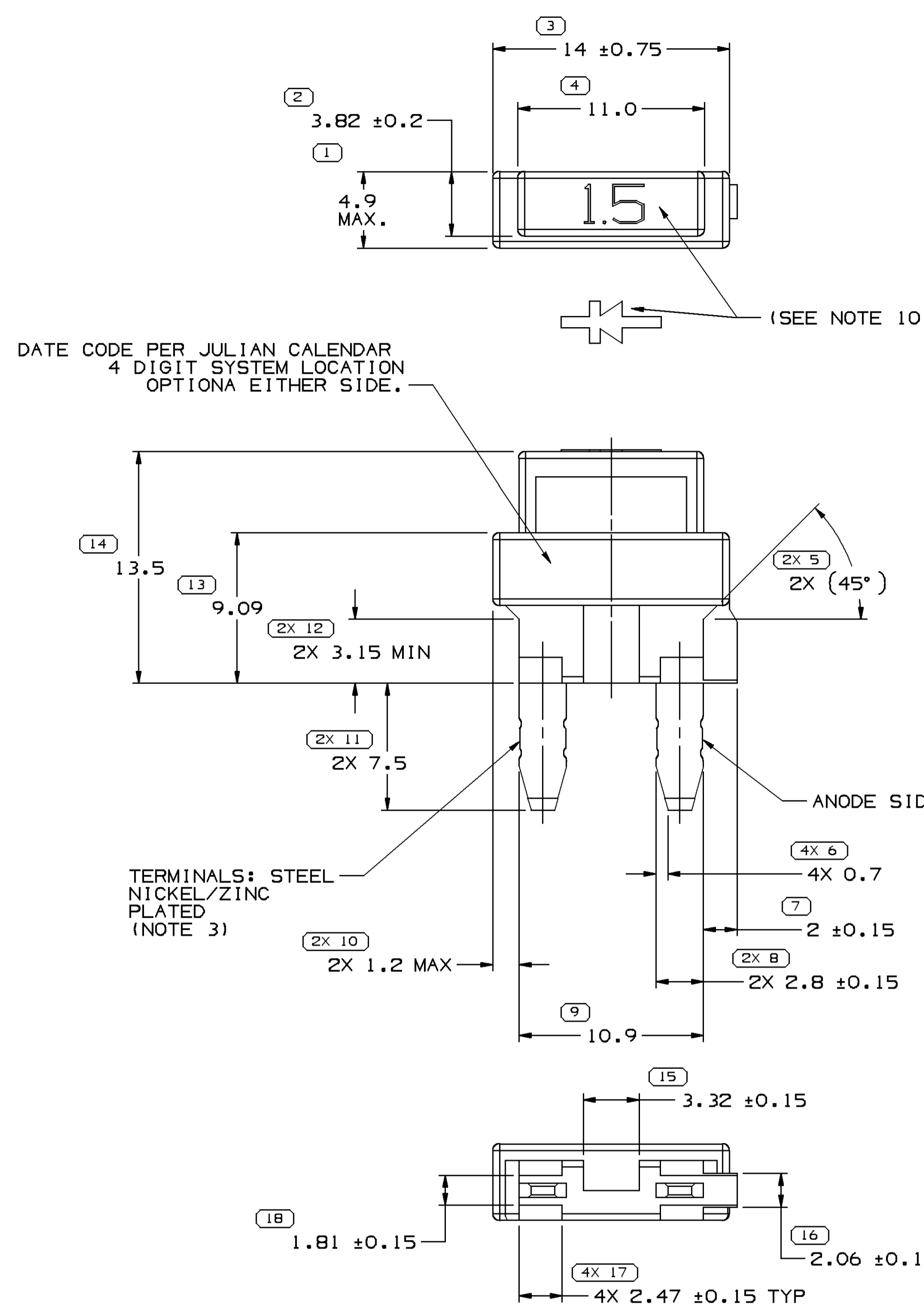


SYMBOL DEFINITION	
A DIMENSION WITHOUT AN INSPECTION REPORT SYMBOL DOES NOT REQUIRE INSPECTION. IT MAY BE CONTROLLED ON THE INDIVIDUAL COMPONENT DRAWING.	TOTAL NO OF INSPECTIONS REQUIRED
	40
	LAST NO. USED
	24

MISSING SYMBOLS		DWG STATUS				REVISION HISTORY		AUTH	DR	APVD1	APVD2	
NO MISSING SYMBOL NUMBER		DATE	STG	REV	N/P	CHG	ZONE					
		27MY09	R	01	-	-		ALL PARTS - WAS ON TAXI 12135037	308878	RAG	PPM	MER
		28SE09	R	02	-	-		REVISED NOTE 10	310576	FGC	PPM	MER



NOTES:

- DIODE RATING AND VALUE TO BE PER CHART. DIODE MUST BE FROM A DELPHI PACKARD SYSTEMS APPROVED SUPPLIER.
- DIMENSIONS ARE SYMMETRICAL ABOUT CENTERLINES.
- EXPOSED SURFACES OF BLADE TO BE NICKEL/ZINC PLATED 0.00015 MIN THICKNESS. PLATING OF EDGES OPTIONAL. BLADE MATERIAL: 100B 1/2 HARD COLD ROLLED STEEL.
- MATES WITH TERMINAL 12092087 OR EQUIVALENT.
- DIODE CONFIGURATION TO BE AS SHOWN FOR CORRECT POLARITY AND WILL BE ASSURED BY INDEXING NOTCH.
- DIODE SHALL MEET REQUIREMENTS OF DIODE SPECIFICATION AED0502F-000 OR 12948342.
- OPERATING TEMPERATURE RANGE TO BE -40°C TO +125°C
- UNLESS OTHERWISE SPECIFIED AND/OR INDICATED: DIMENSIONS ARE TO FACE OF VIEW SHOWN AND AUTOMATICALLY ROUNDED BY COMPUTER FOR INSPECTION. (SEE MATH MODEL FOR PRECISE DIMENSION) FOR ALL OTHER DIMENSIONS NOT SHOWN BUT REQUIRED FOR TOOL BUILD, SEE MATH MODEL FOR PRECISE TOOL PATH DATA.
- MAXIMUM BURR HEIGHT ON TERMINAL BLADES SHALL BE 0.003 INCHES, EXCEPT FOR COINED EDGES WHICH SHALL BE FREE OF BURRS.
- TOP MARKINGS SHOULD COMPLY WITH THE FOLLOWING SPECIFICATIONS:
  - MARKING MUST BE LEGIBLE, WHITE AGAINST A DARK BACKGROUND AND MEET VISUAL PRODUCTS STANDARD REQUIREMENT VPS-B82 USING FONT SIZE 1A AS DEFINED IN ESA-752 PARAGRAPH 3.1.
  - NO MACHINE VISION SYSTEM APPLICATION
  - PERMISSIBLE TO PAINT OR STAMP DIODE SYMBOL OR AMP VALUE ON THIS SURFACE AS REQUIRED:
    - FOR 12135037 SCHEMATIC SYMBOL TO APPEAR ON TOP OF PART
    - FOR 13745763 THE AMPERAGE VALUE SHALL BE MARKED ON THE TOP OF THE PART
- PLASTIC MATERIAL FOR DIODE ASSEMBLY IS POLYPROPYLENE OR NYLON. FOR MATERIAL SPECIFICATION, CONTACT DELPHI PACKARD ELECTRIC SYSTEMS.

SUPPLIER PART NO.	ASM PART NO.	COMPONENT PART NO.	CURRENT RATING	P.I.V.	REV	N/P
02400120P	13745763	AED05020-100	1.5 AMP	400 V	01	AA
02400104P	12135037	AED05020-100	1 AMP	400 V	10	AA

DIMENSIONAL RANGE (MM)	CHART E1
FROM > 0	> 30
TO > 20	> 70
> 30	> 100
> 70	> 150
> 100	> 200
> 150	> 250
> 200	> 300
> 250	> 400
> 300	> 400

TOLERANCE UNLESS OTHERWISE SPECIFIED

±0.15	±0.2	±0.3	±0.4	±0.5	±0.6	±0.8	±1	±1.2
-------	------	------	------	------	------	------	----	------

ANGULAR TOLERANCE ±2°

DWG TYPE	PART DRAWING
STYLE	
VOLUME (C/P)	DISTR CODE
	D
UNLESS OTHERWISE SPECIFIED	
THIS DOCUMENT IS IN ACCORDANCE WITH ASME Y14.5M-1994 AS AMENDED BY THE GM GLOBAL DIMENSIONING AND TOLERANCING ADDENDUM-2001. SEPARATE PATTERNS OF FEATURES MAY BE GAGED SEPARATELY REGARDLESS OF DATUM REFERENCES.	
ALL DIMENSIONS ARE IN MILLIMETERS	
REFERENCE	12135037
THIRD ANGLE PROJECTION	DO NOT SCALE
USE MATH DATA	

**DELPHI**

DELPHI PACKARD ELECTRIC SYSTEMS  
WARREN, OH

DR	DATE
APVD1 R. GIL	27MY09
APVD2 P. PINA	27MY09
APVD3 M. RODRIGUEZ	27MY09
APVD4	
APVD5	

SUBSTANCES OF CONCERN AND RECYCLED CONTENT PER DELPHI 10949001

MATERIAL SEE NOTE #3 & #6

DRAWING NAME TAXI ELECTRONIC

DRAWING NUMBER 13771694

SIZE	SCALE	FRAME NO	SHEET NO	STG	REV	N/P
A1	5:1	1 OF 1	1 OF 1	R	02	-

## X-ON Electronics

Largest Supplier of Electrical and Electronic Components

*Click to view similar products for [Automotive Connectors](#) category:*

*Click to view products by [APTIV](#) manufacturer:*

Other Similar products are found below :

[003-018-000](#) [60403001](#) [60993906-B](#) [629515004020001](#) [M902-2131](#) [M902-2161](#) [72.330.1035.1](#) [73.353.4028.0](#) [F119300-B](#) [F166900](#)  
[F258300-B](#) [F358300-B](#) [F407400](#) [F444110](#) [F487000](#) [F509500B-B](#) [827153-1](#) [8N1515-32-24P](#) [9-1326729-8](#) [925474-1](#) [928905-1](#) [964562-4](#)  
[968782-1](#) [GT17SA-8DS-HU](#) [98891-1012](#) [98947-1016](#) [12004475-L](#) [12010290](#) [12010309-B](#) [12015454](#) [12020219-B](#) [12020308](#) [12041318-B](#)  
[12052225-L](#) [12052466](#) [12059125](#) [12064869](#) [12004327-B](#) [12010503-B](#) [12015308](#) [12015384](#) [12015909](#) [1-21030-1](#) [12041254](#) [12041318](#)  
[12047946-B](#) [12047957](#) [12047957-L](#) [12059473](#) [12066261](#)