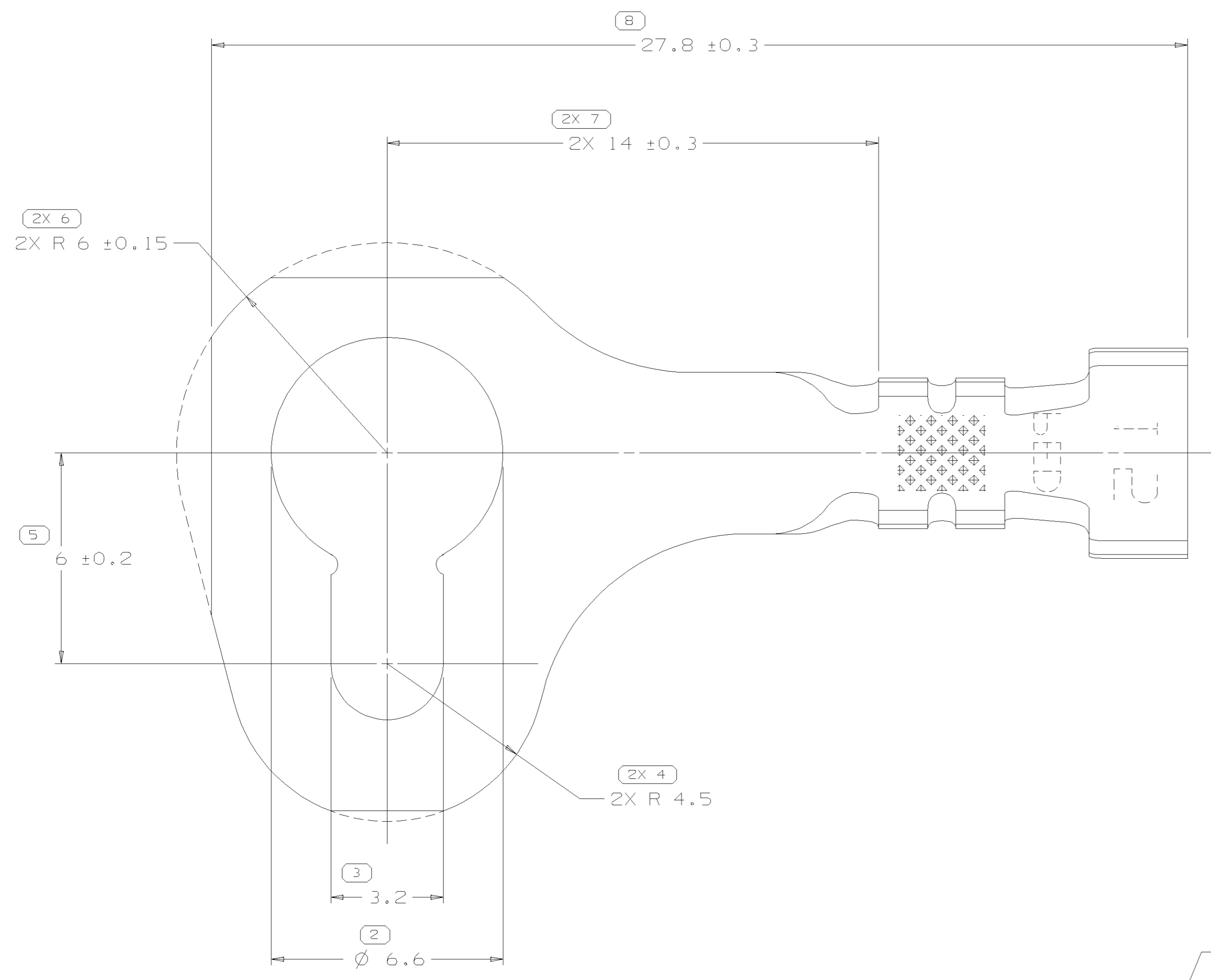


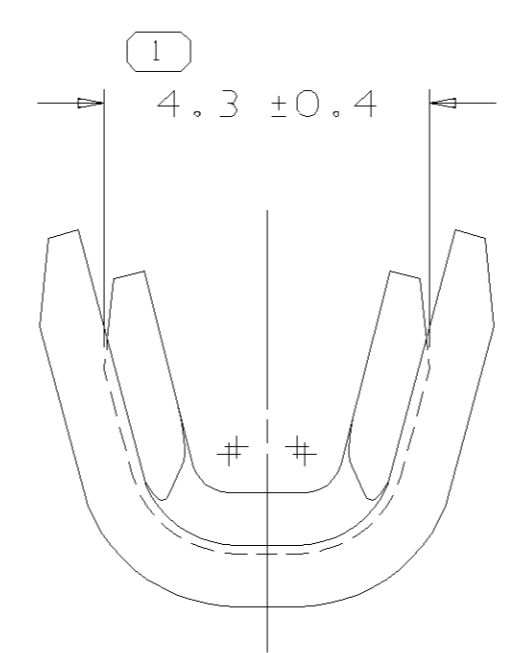
SYMBOL DEFINITION	
A DIMENSION WITHOUT AN INSPECTION REPORT SYMBOL () DOES NOT REQUIRE INSPECTION. IT MAY BE CONTROLLED ON THE INDIVIDUAL COMPONENT DRAWING.	TOTAL NO OF INSPECTIONS REQUIRED
	11
	LAST NO. USED
	8

MISSING SYMBOLS	DWG STATUS					ZONE	REVISION HISTORY	AUTH	DR	APVD1	APVD2
	DATE	STG	REV	N/P	CHG						
NO MISSING SYMBOL NUMBER	09JN03	R	DI	-	-		REDRAWN TO PD AND MATERIAL SPEC WAS P1403128	241737	LOA	FKV	CF



CONDUCTOR WINGS FOR 1-2 MM² CABLE

INSULATION WING FOR 3.97 MM MAX INSULATION DIA



NOTES

- UNLESS OTHERWISE SPECIFIED AND/OR INDICATED: DIMENSIONS ARE TO FACE OF VIEW SHOWN AND AUTOMATICALLY ROUNDED BY COMPUTER FOR INSPECTION (SEE MATH MODEL FOR PRECISE DIMENSIONS). FOR ALL OTHER DIMENSIONS NOT SHOWN BUT REQUIRED FOR TOOL BUILD, SEE MATH MODEL FOR PRECISE TOOL PATH DATA.

PROCESS SENSITIVE DIMENSION	
DIMENSIONS ENCLOSED IN () INDICATE REFERENCE DIMENSIONS AND NO TOLERANCE LIMITS ARE ESTABLISHED	
DIMENSIONAL RANGE (MM)	CHART D
FROM 0	> 12
TO 12	
TOLERANCE UNLESS OTHERWISE SPECIFIED	
±0.1	±0.2
ANGULAR TOLERANCE ±2°	

DWG TYPE		PART DRAWING	
STYLE			
VOLUME (CM ³)	DISTR CODE		
ROUTING	D		
6900			
UNLESS OTHERWISE SPECIFIED			
THIS DOCUMENT IS IN ACCORDANCE WITH ASME Y14.5M-1994 AS AMENDED BY THE GM GLOBAL DIMENSIONING AND TOLERANCING ADDENDUM - 1997. ALL GEOMETRIC TOLERANCES AND RELATED DATUMS APPLY RFS. RULE #11 PERFECT FORM AT MMC1 DOES NOT APPLY WHEN RELATIONSHIP BETWEEN FEATURES IS ESTABLISHED BY ORIENTATION OR LOCATION TOLERANCES. SEPARATE POSITION CALLOUTS MAY BE GAGED SEPARATELY, REGARDLESS OF DATUM REFERENCE.			
ALL DIMENSIONS ARE IN MILLIMETERS			
REFERENCE		THIRD ANGLE PROJECTION	DO NOT SCALE
		USE MATH DATA	UNIGRAPHICS

DELPHI
DELPHI PACKARD ELECTRIC SYSTEMS
WARREN, OH

DR	DATE
APVD1 ED RANDALL	10SE92
APVD2 ED RANDALL	10SE92
APVD3 CAROL FITCH	13JN03
APVD4	
APVD5	

SUBSTANCES OF CONCERN AND RECYCLED CONTENT PER DELPHI 10949001

MATERIAL M1573214 C26000 1/2 HD 0.813 THK

DRAWING NAME
TERM 0 RING SPECIAL SN NONE

DRAWING NUMBER
12146100

SIZE A1	SCALE 10:1	FRAME NO 1 OF 1	SHEET NO 1 OF 1	STG R	REV DI	N/P -
---------	------------	-----------------	-----------------	-------	--------	-------

X-ON Electronics

Largest Supplier of Electrical and Electronic Components

Click to view similar products for [Automotive Connectors](#) category:

Click to view products by [APTIV](#) manufacturer:

Other Similar products are found below :

[003-018-000](#) [60993906-B](#) [72.330.1035.1](#) [F358300-B](#) [F407400](#) [776880-1](#) [827153-1](#) [8N1515-32-24P](#) [9-1326729-8](#) [925474-1](#) [928905-1](#)
[964562-4](#) [968782-1](#) [98891-1012](#) [12004475-L](#) [12041318-B](#) [12052466](#) [12015909](#) [1-21030-1](#) [12041318](#) [12047957](#) [12185550](#) [12336-12](#)
[12147304](#) [1-326211-1](#) [13681974](#) [13783086](#) [13832576](#) [13675513](#) [1428188-1](#) [1437287-3](#) [1428188-2](#) [DS07-19S-5020](#) [1456983-5](#) [1456987-7](#)
[APD-7CP-H](#) [APK-SB25A10L](#) [1452931-2](#) [15336198](#) [15491972](#) [15305306](#) [15396680](#) [15425613](#) [15470590](#) [15518544](#) [15522351](#) [1719636-1](#)
[172190-2](#) [172190-5](#) [192900-0402](#)