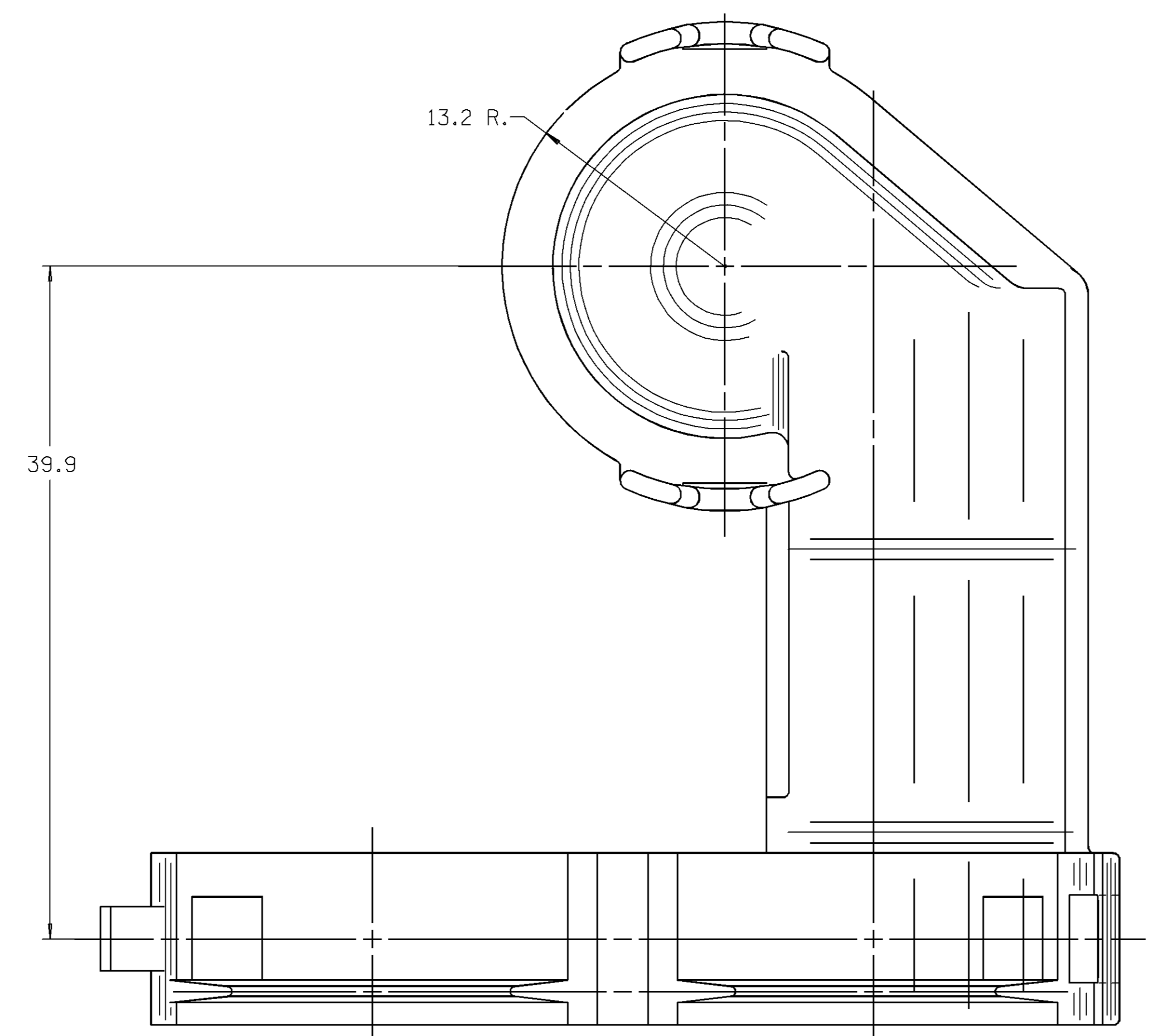
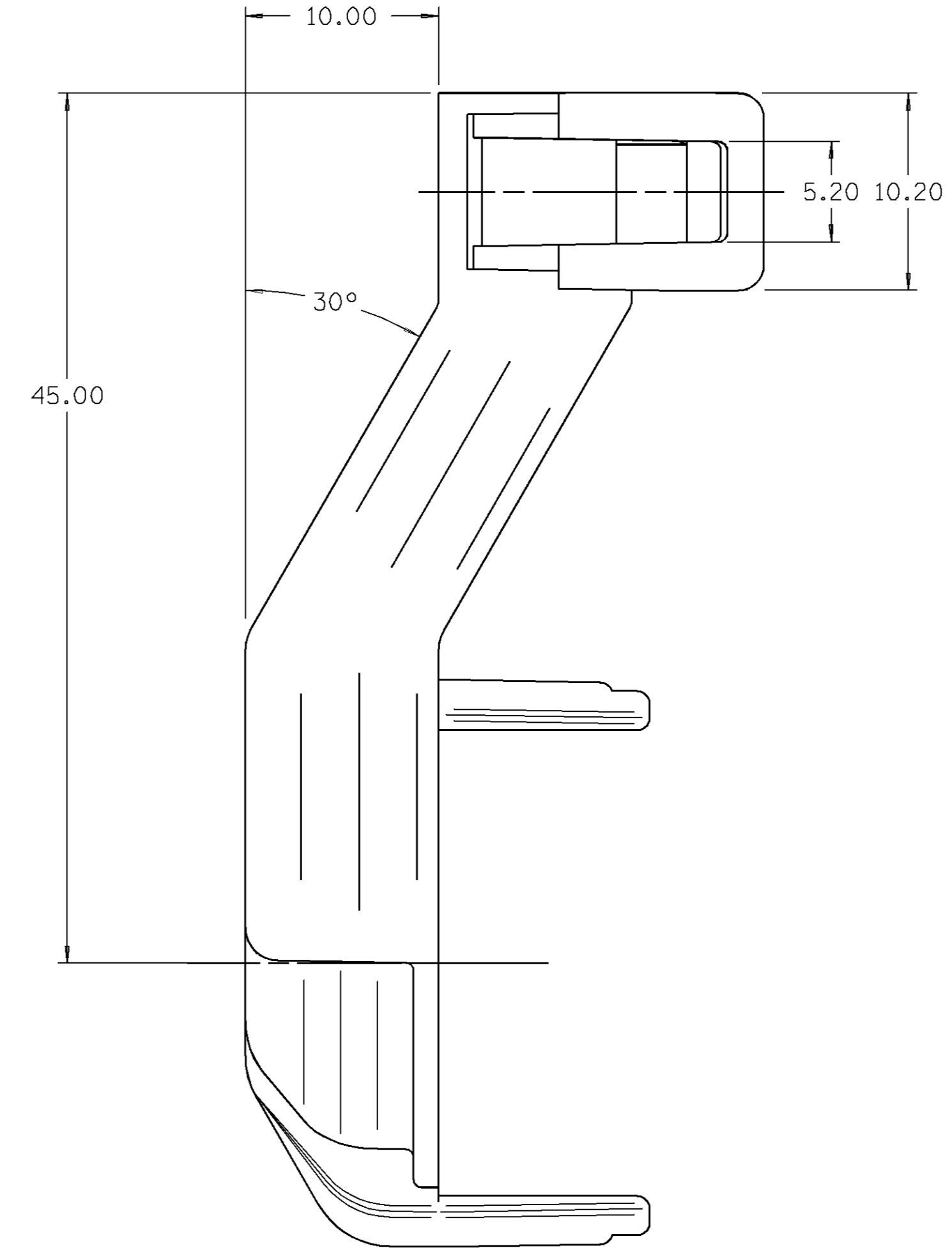
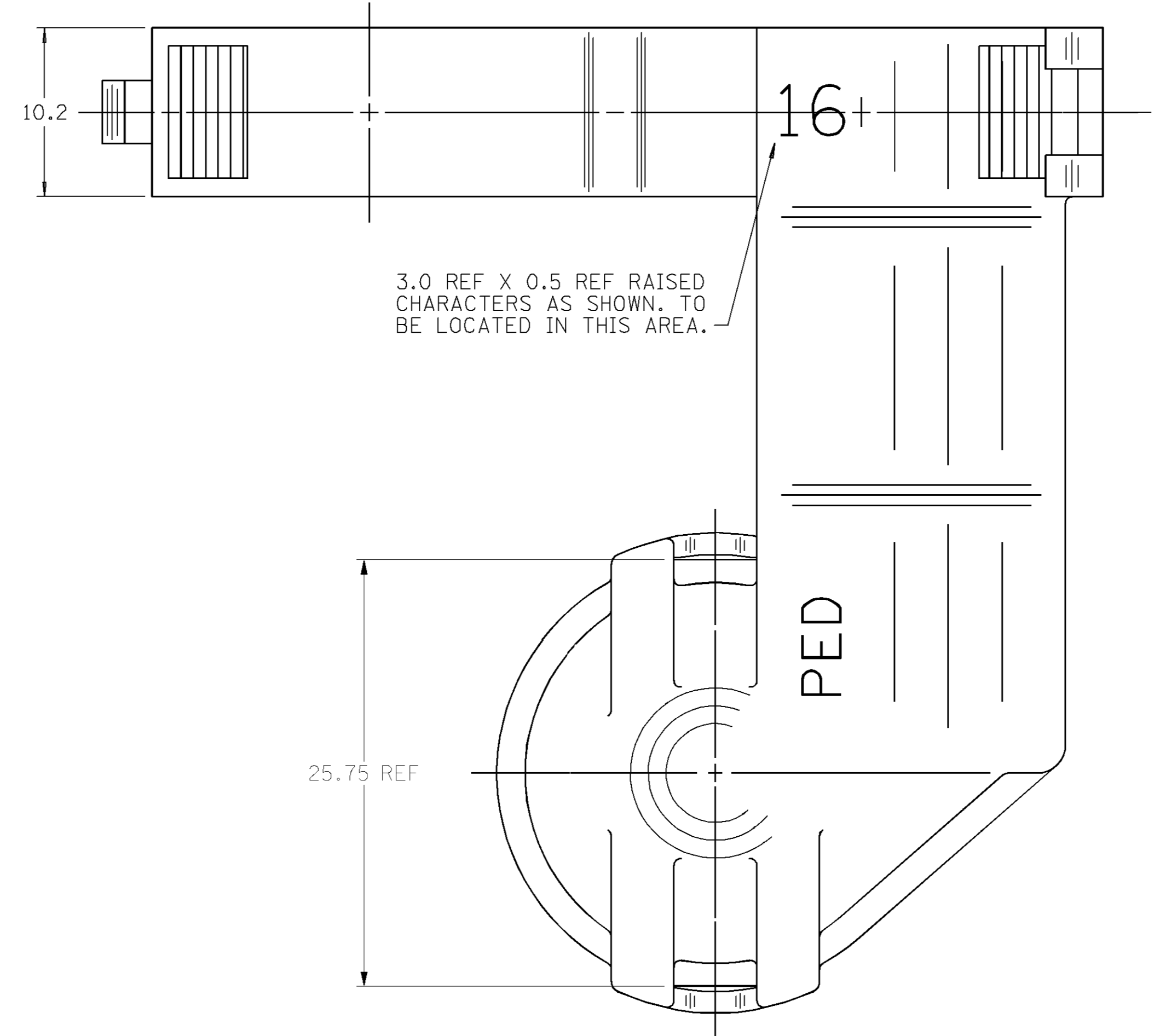
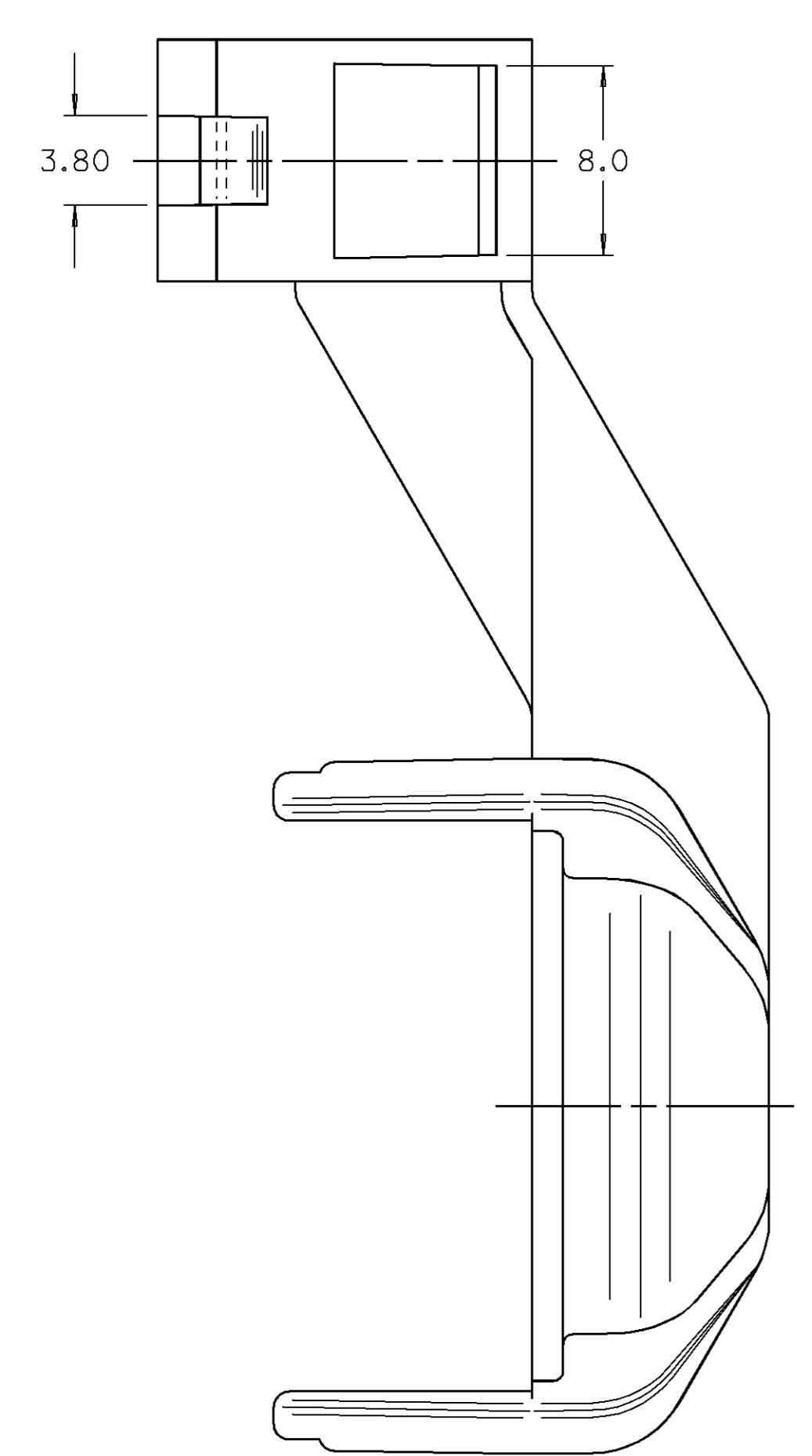
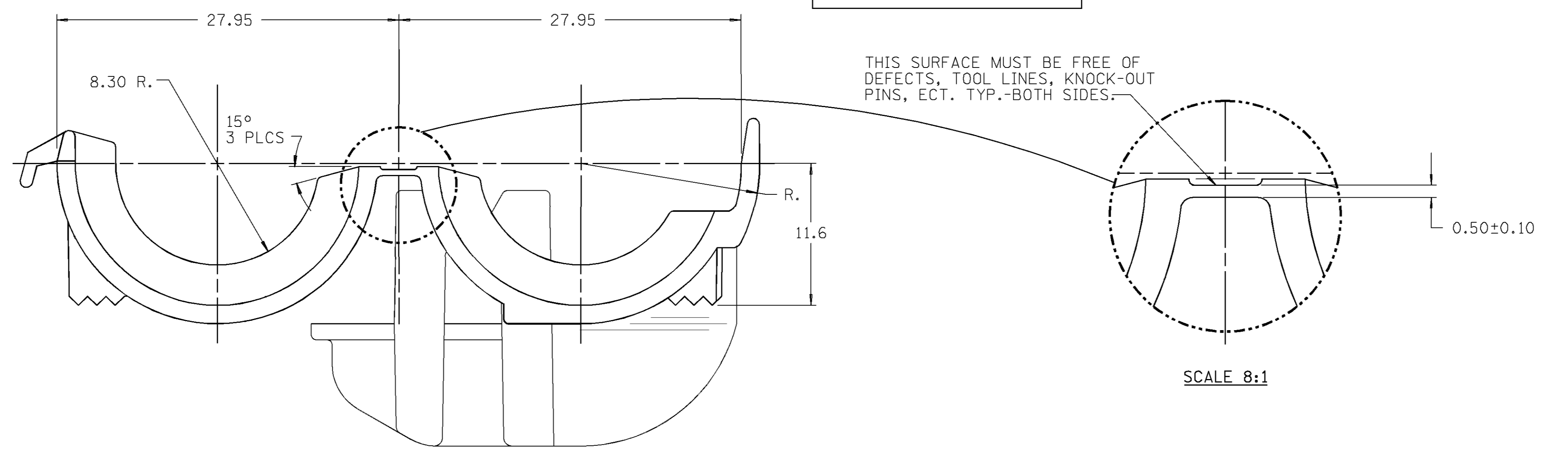


ZONE	DATE	SYM	REVISION RECORD	AUTHORITY	OR	CK
07MR07	D1		CREATED PART DRAWING	400743	JTZ	FRG

PART NO. 1214 6132



PART NO. 1214 6132

PART NO. 1214 6132

- NOTES — 1. UNLESS OTHERWISE SPECIFIED AND/OR INDICATED:
- DIMENSIONS ARE TO FACE OF VIEW SHOWN AND AUTOMATICALLY ROUNDED BY COMPUTER FOR INSPECTION (SEE MATH MODEL FOR PRECISE DIMENSIONS). FOR ALL OTHER DIMENSIONS NOT SHOWN BUT REQUIRED FOR TOOL BUILD, SEE MATH MODEL FOR PRECISE TOOL PATH DATA.
 - MATING CONNECTORS 12110721, 12110727, OR EQUIVALENT.
 - THIS PART ACCEPTS 16MM CONVOLUTED CONDUIT.
 - THIS PART IS SYMMETRICAL ABOUT CENTERLINE, EXCEPT AS SHOWN.
 - SEALING CODE 0.
 - THIS PART IS NOT CONTROLLED FOR AUTOMATIC FEEDING.
 - MATERIAL RECYCLING CODE PER ISO 11469. (2.3)X(0.1) CHARACTERS AS SHOWN TO BE LOCATED ON ANY EXTERIOR SURFACE. OPTIONAL CONSTRUCTION TO BE NO MATERIAL RECYCLING CODE.
 - (2.3)X(0.1) DELPHI CORPORATE BRAND TO BE LOCATED ON ANY EXTERIOR SURFACE, PREFERABLY VISIBLE AT FINAL ASSEMBLY. OPTIONAL CONSTRUCTION FOR EXISTING TOOLING MAY BE "PED".

FILE SPEC		***** DIMENSION SPECIFICATION *****	
THIRD ANGLE PROJECTION		METRIC DIMENSIONS ARE IN MILLIMETERS UNLESS OTHERWISE SPECIFIED.	
CODE NO. 6900	TOLERANCE UNLESS OTHERWISE SPECIFIED DECIMAL ONE PLACE ± 0.3 TWO PLACE ± 0.15	ANGULAR ± 2°	
DWG. DATE 022891	SCALE 4:1	DR. PABLO TRONCOSO	DATE 11AP07
EST. NO.	CK. EDO. RESENDOZ	DATE 12AP07	
REFERENCE NO.	APPR. LAURA RODRIGUEZ	DATE 16AP07	
MATERIAL SPEC. M3592001 PA66 HS IM BLK			
NAME CLIP CONDUIT			
PART NO. 1214 6132			SIZE E

DO NOT SCALE

PACKARD ELECTRIC DIVISION
GENERAL PURPOSE, CAD

PACKARD ELECTRIC
02/09/07

X-ON Electronics

Largest Supplier of Electrical and Electronic Components

Click to view similar products for [Automotive Connectors](#) category:

Click to view products by [APTIV](#) manufacturer:

Other Similar products are found below :

[003-018-000](#) [60403001](#) [60993906-B](#) [629515004020001](#) [M902-2131](#) [M902-2161](#) [72.330.1035.1](#) [73.353.4028.0](#) [F119300-B](#) [F166900](#)
[F258300-B](#) [F358300-B](#) [F407400](#) [F444110](#) [F487000](#) [F509500B-B](#) [827153-1](#) [8N1515-32-24P](#) [9-1326729-8](#) [925474-1](#) [928905-1](#) [964562-4](#)
[968782-1](#) [GT17SA-8DS-HU](#) [98891-1012](#) [98947-1016](#) [12004475-L](#) [12010290](#) [12010309-B](#) [12015454](#) [12020219-B](#) [12020308](#) [12041318-B](#)
[12052225-L](#) [12052466](#) [12059125](#) [12064869](#) [12004327-B](#) [12010503-B](#) [12015308](#) [12015384](#) [12015909](#) [1-21030-1](#) [12041254](#) [12041318](#)
[12047946-B](#) [12047957](#) [12047957-L](#) [12059473](#) [12066261](#)