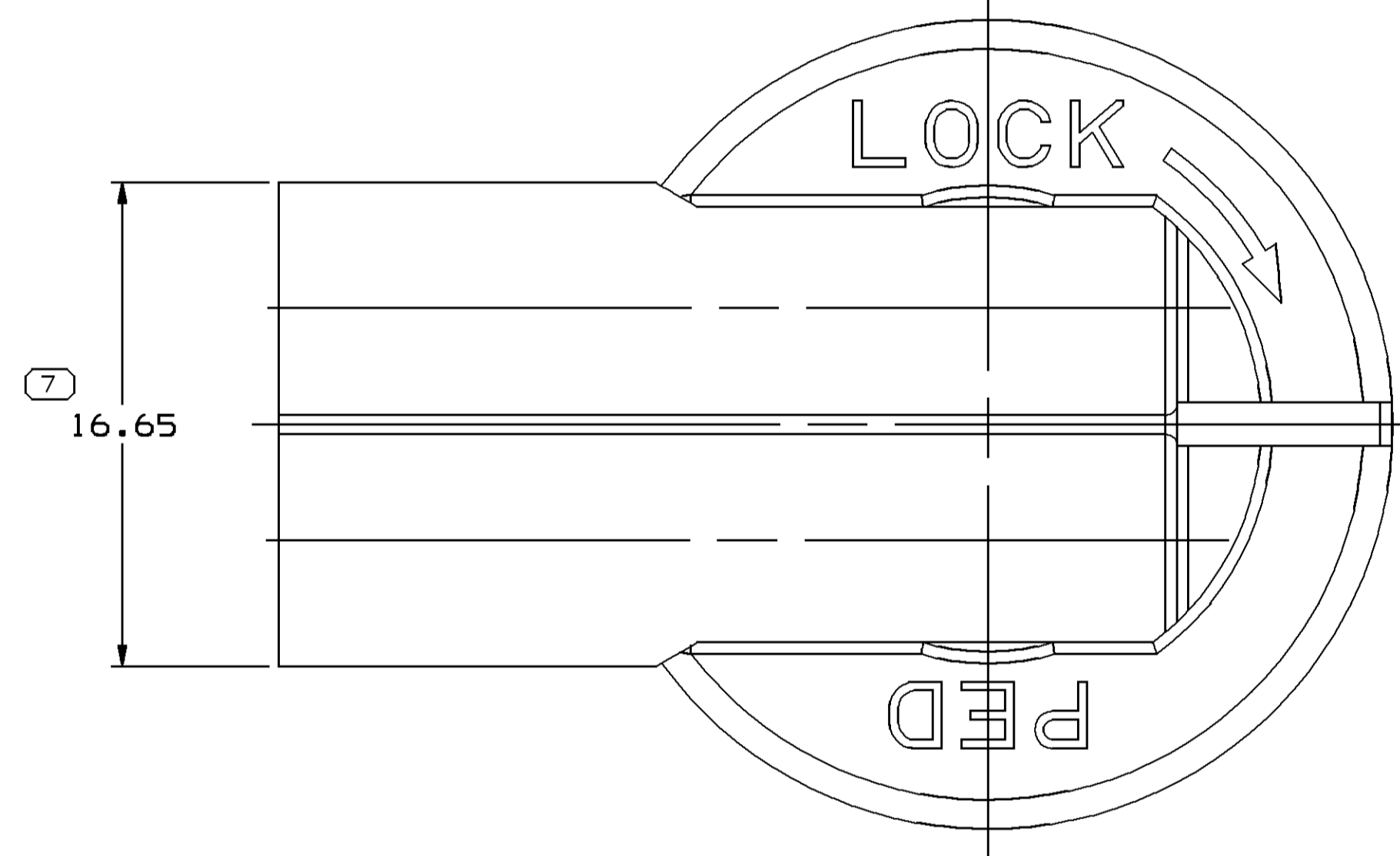
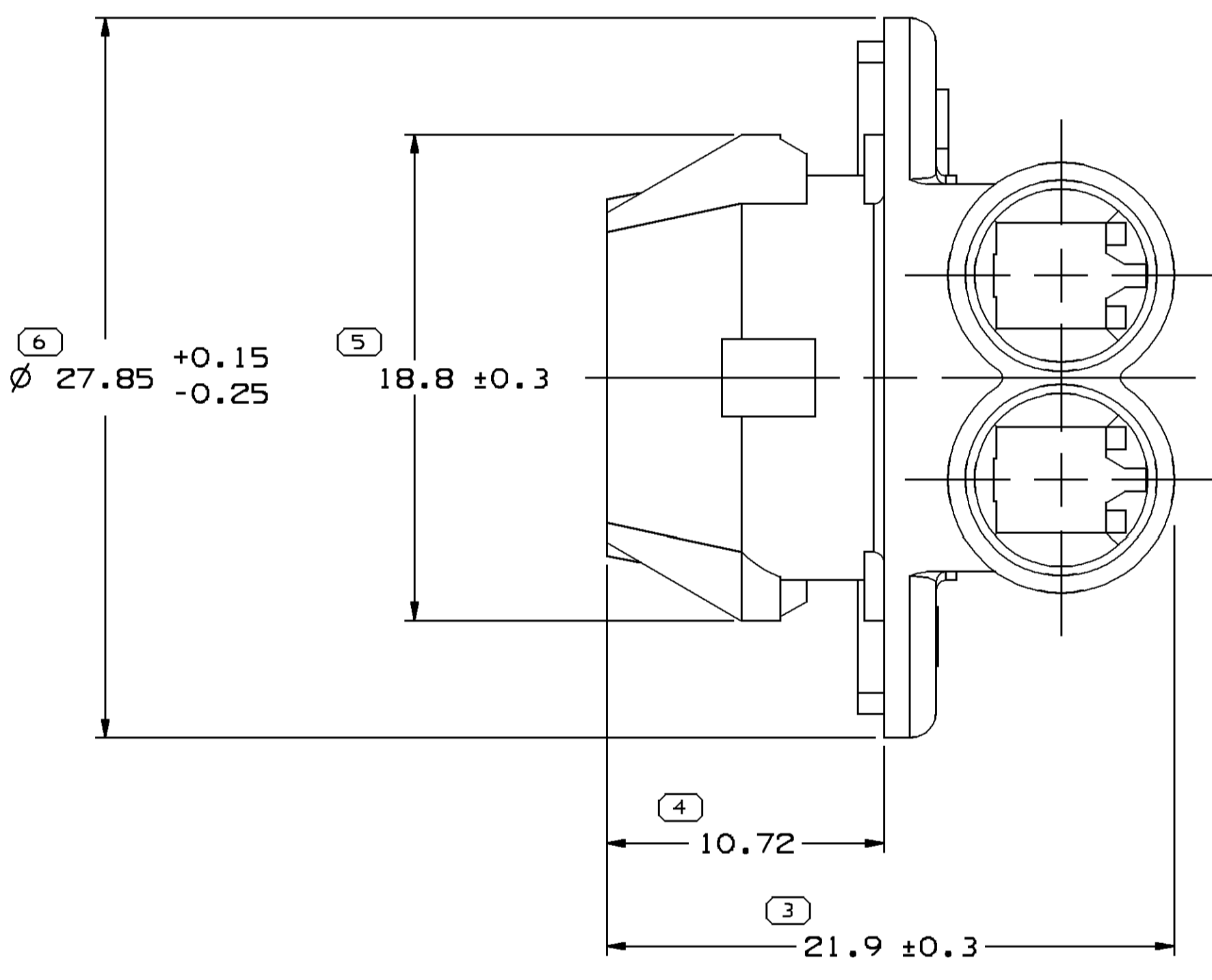
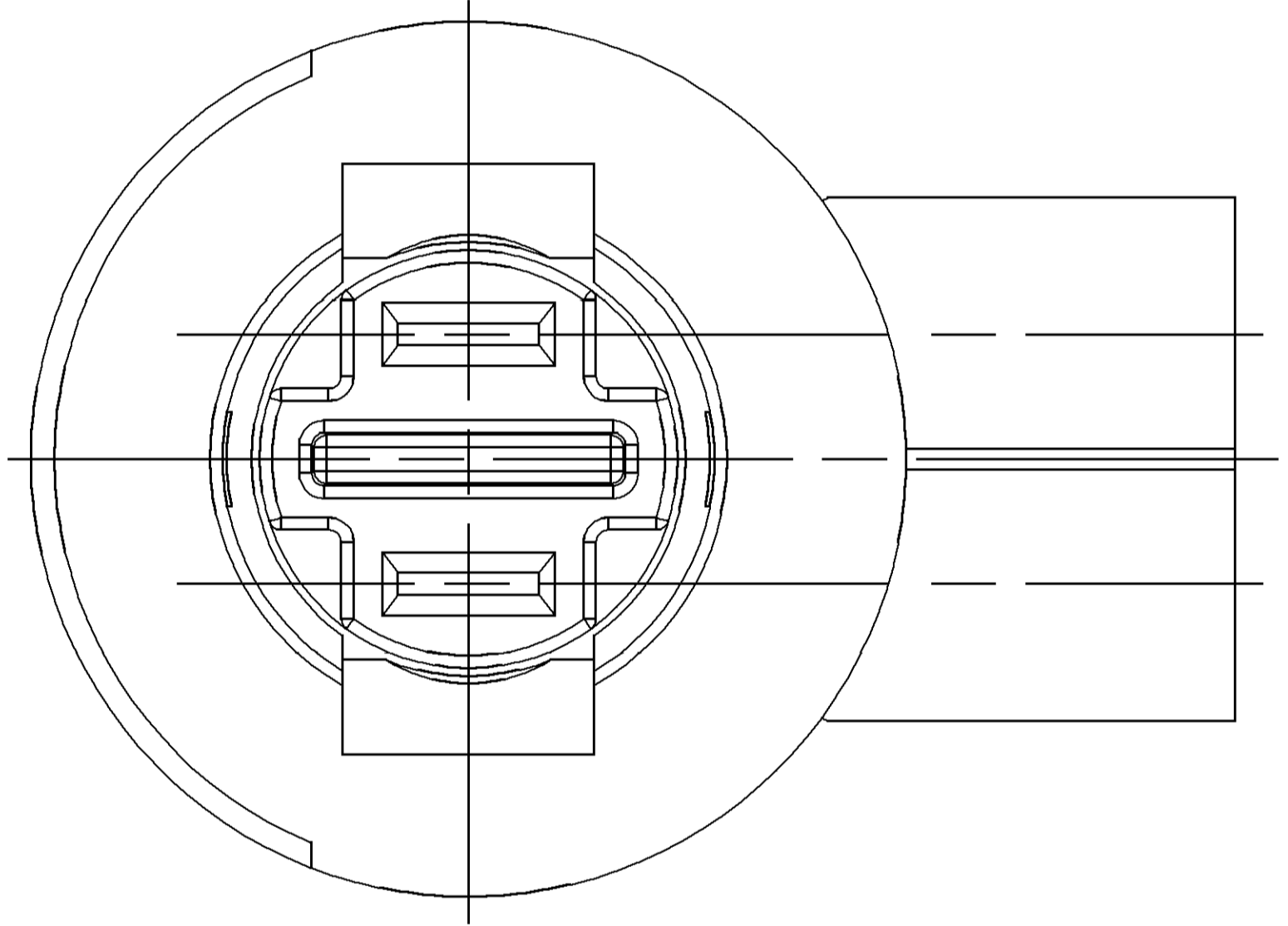
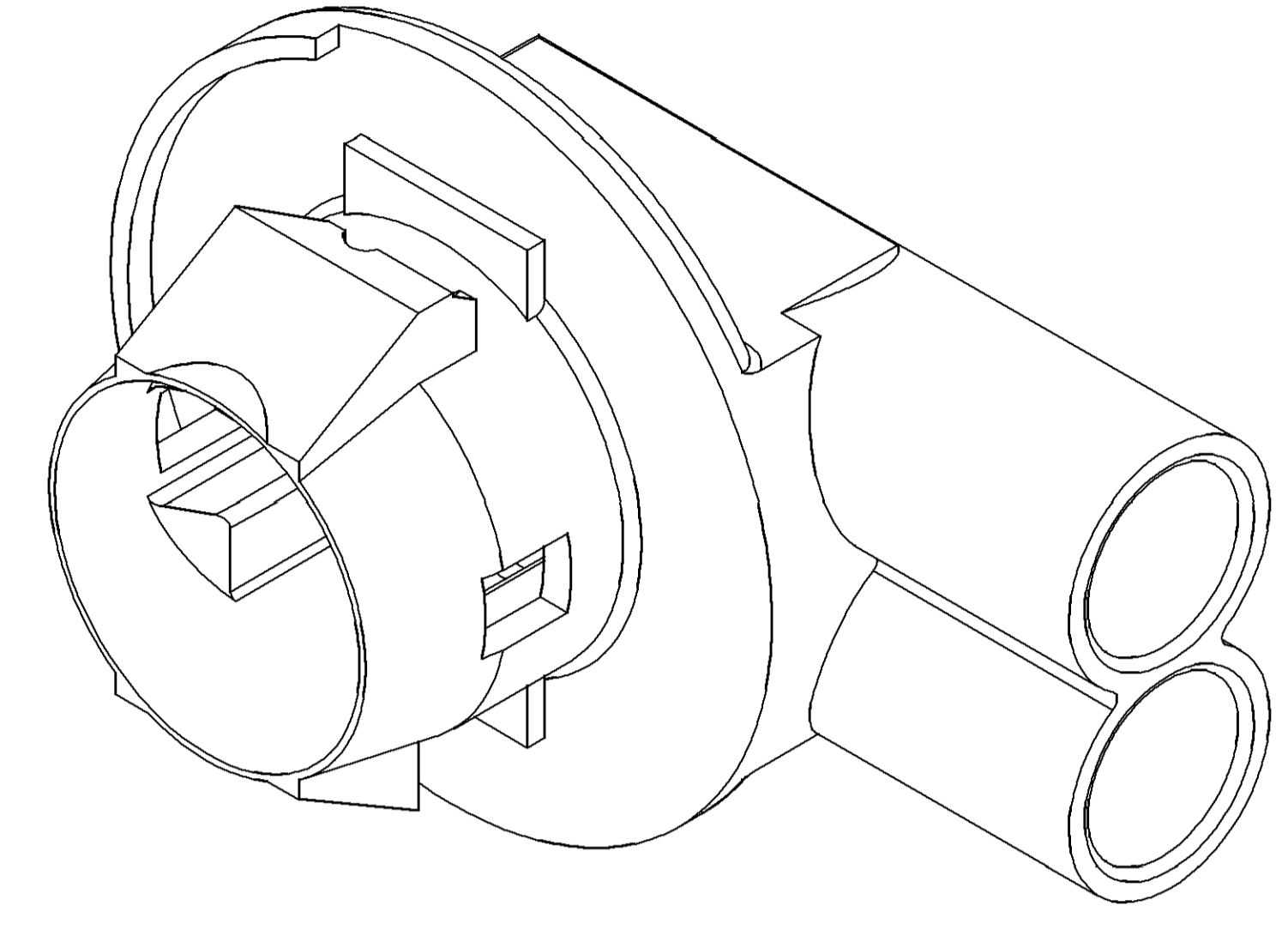
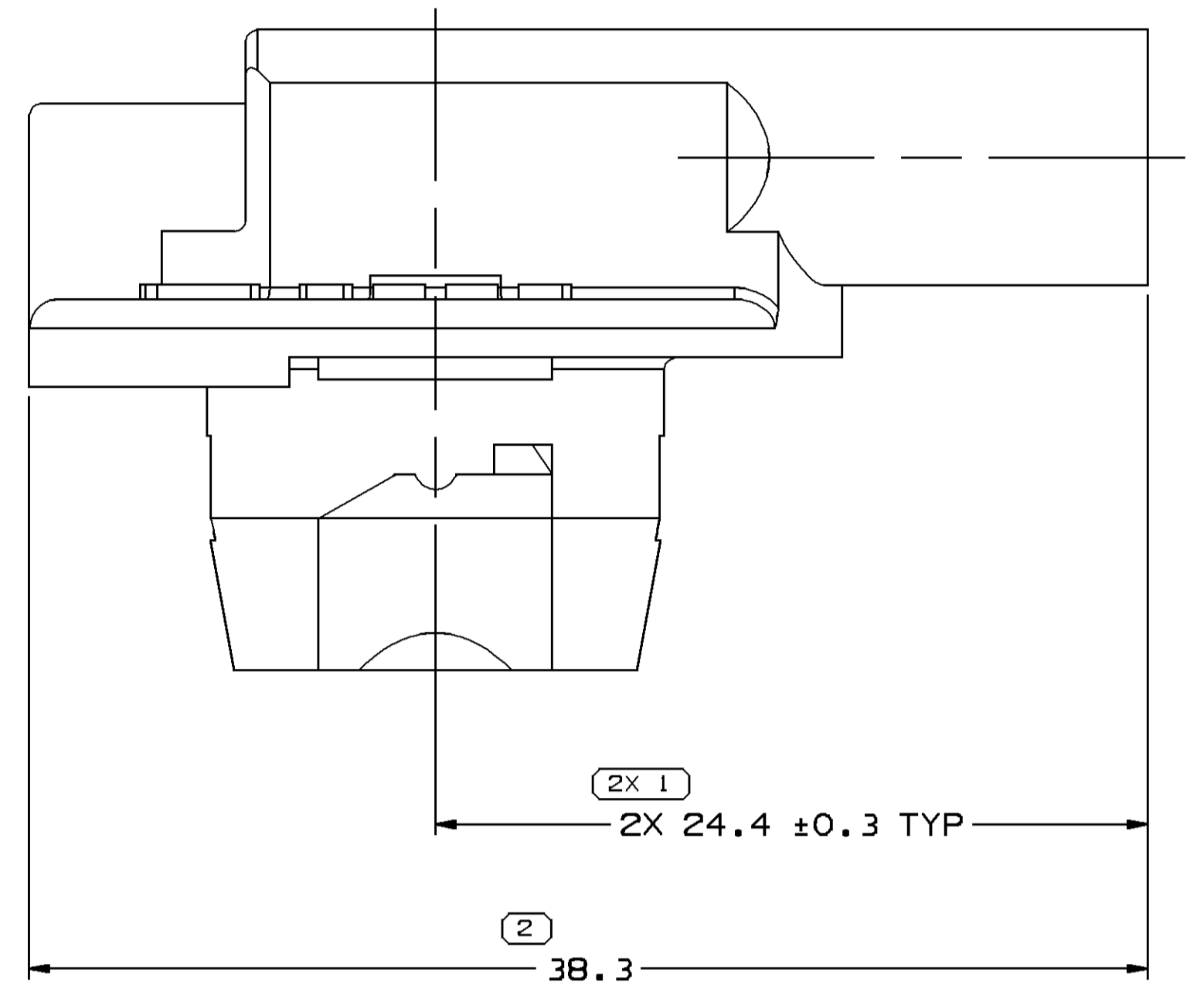


SYMBOL DEFINITION		MISSING SYMBOLS	
A DIMENSION WITHOUT AN INSPECTION REPORT SYMBOL DOES NOT REQUIRE INSPECTION. IT MAY BE CONTROLLED ON THE INDIVIDUAL COMPONENT DRAWING.	TOTAL NO OF INSPECTIONS REQUIRED	NO MISSING SYMBOL NUMBER	
	8		
	LAST NO. USED		
	7		

DWG STATUS				REVISION HISTORY		AUTH	
DATE	STG	REV	N/P	CHG	ZONE	DATE	BY
23MY01	R	E4	-	-	-	209782	JBR
17FE09	R	ES	-	-	-	407311	LHD



- NOTES
- UNLESS OTHERWISE SPECIFIED AND/OR INDICATED: DIMENSIONS ARE TO FACE OF VIEW SHOWN AND AUTOMATICALLY ROUNDED BY COMPUTER FOR INSPECTION (SEE MATH MODEL FOR PRECISE DIMENSIONS). FOR ALL OTHER DIMENSIONS NOT SHOWN BUT REQUIRED FOR TOOL BUILD, SEE MATH MODEL FOR PRECISE TOOL PATH DATA.
  - FOR APPLICATION DATA SEE THE APPLICATION DRAWING.

Dwg Type: PART DRAWING																																																	
Style: 3,894	DISTR CODE: D																																																
UNLESS OTHERWISE SPECIFIED																																																	
THIS DOCUMENT IS IN ACCORDANCE WITH ASME Y14.5M-1994 AS AMENDED BY THE 2003 SUPPLEMENT. DIMENSIONS UNLESS OTHERWISE SPECIFIED ARE IN MILLIMETERS. SEPARATE WRITINGS OF TOLERANCES AND DIMENSIONS SHALL BE BASED SEPARATELY PER DELPHI 10949001 REFERENCES.																																																	
ALL DIMENSIONS ARE IN MILLIMETERS																																																	
REFERENCE																																																	
<table border="1"> <thead> <tr> <th>DIMENSIONAL RANGE (MM)</th> <th>CHART</th> <th>ET</th> </tr> </thead> <tbody> <tr> <td>FROM &gt; 0</td> <td>&gt; 20</td> <td>&gt; 30</td> </tr> <tr> <td>TO</td> <td>20</td> <td>30</td> </tr> <tr> <td></td> <td>30</td> <td>70</td> </tr> <tr> <td></td> <td>70</td> <td>100</td> </tr> <tr> <td></td> <td>100</td> <td>150</td> </tr> <tr> <td></td> <td>150</td> <td>200</td> </tr> <tr> <td></td> <td>200</td> <td>250</td> </tr> <tr> <td></td> <td>250</td> <td>300</td> </tr> <tr> <td></td> <td>300</td> <td>400</td> </tr> <tr> <td colspan="3">TOLERANCE UNLESS OTHERWISE SPECIFIED</td> </tr> <tr> <td>±0.15</td> <td>±0.2</td> <td>±0.3</td> </tr> <tr> <td>±0.3</td> <td>±0.4</td> <td>±0.5</td> </tr> <tr> <td>±0.6</td> <td>±0.8</td> <td>±1</td> </tr> <tr> <td>±1</td> <td>±1.2</td> <td>±1.5</td> </tr> <tr> <td colspan="3">ANGULAR TOLERANCE 20'</td> </tr> </tbody> </table>		DIMENSIONAL RANGE (MM)	CHART	ET	FROM > 0	> 20	> 30	TO	20	30		30	70		70	100		100	150		150	200		200	250		250	300		300	400	TOLERANCE UNLESS OTHERWISE SPECIFIED			±0.15	±0.2	±0.3	±0.3	±0.4	±0.5	±0.6	±0.8	±1	±1	±1.2	±1.5	ANGULAR TOLERANCE 20'		
DIMENSIONAL RANGE (MM)	CHART	ET																																															
FROM > 0	> 20	> 30																																															
TO	20	30																																															
	30	70																																															
	70	100																																															
	100	150																																															
	150	200																																															
	200	250																																															
	250	300																																															
	300	400																																															
TOLERANCE UNLESS OTHERWISE SPECIFIED																																																	
±0.15	±0.2	±0.3																																															
±0.3	±0.4	±0.5																																															
±0.6	±0.8	±1																																															
±1	±1.2	±1.5																																															
ANGULAR TOLERANCE 20'																																																	
THIRD ANGLE PROJECTION	DO NOT SCALE																																																
USE MATH DATA	NX																																																

**DELPHI**  
DELPHI PACKARD ELECTRICAL/ELECTRONIC ARCHITECTURE  
WYREN, OH

DR	DATE
APV01 J.GAVALDON	23MY01
APV02 E.VAZQUEZ	23MY01
APV03 R.CORZAS	23MY01
APV04	
APV05	

SUBSTANCES OF CONCERN AND RECYCLED CONTENT PER DELPHI 10949001

MATERIAL: POLYAMIDE COMPOUND GRAY

DRAWING NAME: CONN 2 F LP SOC WEDGE SLD W2

DRAWING NUMBER: 12146418

SIZE	SCALE	FRAME NO	SHEET NO	STG	REV	N/P
A0	5:1	1	1	1	R	ES

## X-ON Electronics

Largest Supplier of Electrical and Electronic Components

*Click to view similar products for [Automotive Connectors](#) category:*

*Click to view products by [APTIV](#) manufacturer:*

Other Similar products are found below :

[003-018-000](#) [60403001](#) [60993906-B](#) [629515004020001](#) [M902-2131](#) [M902-2161](#) [72.330.1035.1](#) [73.353.4028.0](#) [F119300-B](#) [F166900](#)  
[F258300-B](#) [F358300-B](#) [F407400](#) [F444110](#) [F487000](#) [F509500B-B](#) [827153-1](#) [8N1515-32-24P](#) [9-1326729-8](#) [925474-1](#) [928905-1](#) [964562-4](#)  
[968782-1](#) [GT17SA-8DS-HU](#) [98891-1012](#) [98947-1016](#) [12004475-L](#) [12010290](#) [12010309-B](#) [12015454](#) [12020219-B](#) [12020308](#) [12041318-B](#)  
[12052225-L](#) [12052466](#) [12059125](#) [12064869](#) [12004327-B](#) [12010503-B](#) [12015308](#) [12015384](#) [12015909](#) [1-21030-1](#) [12041254](#) [12041318](#)  
[12047946-B](#) [12047957](#) [12047957-L](#) [12059473](#) [12066261](#)