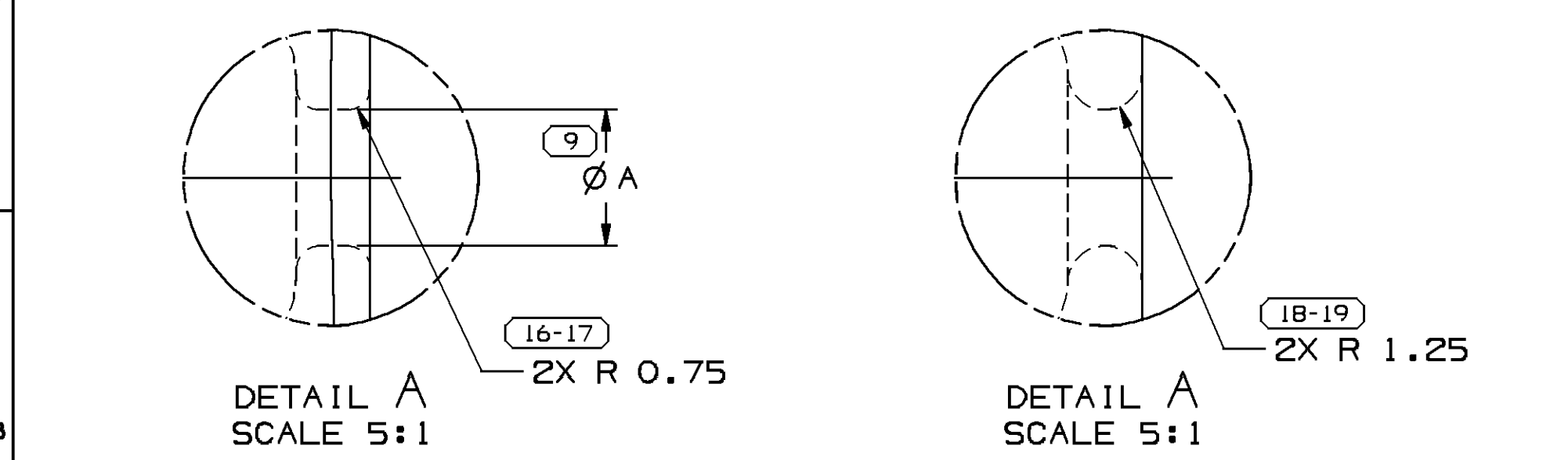
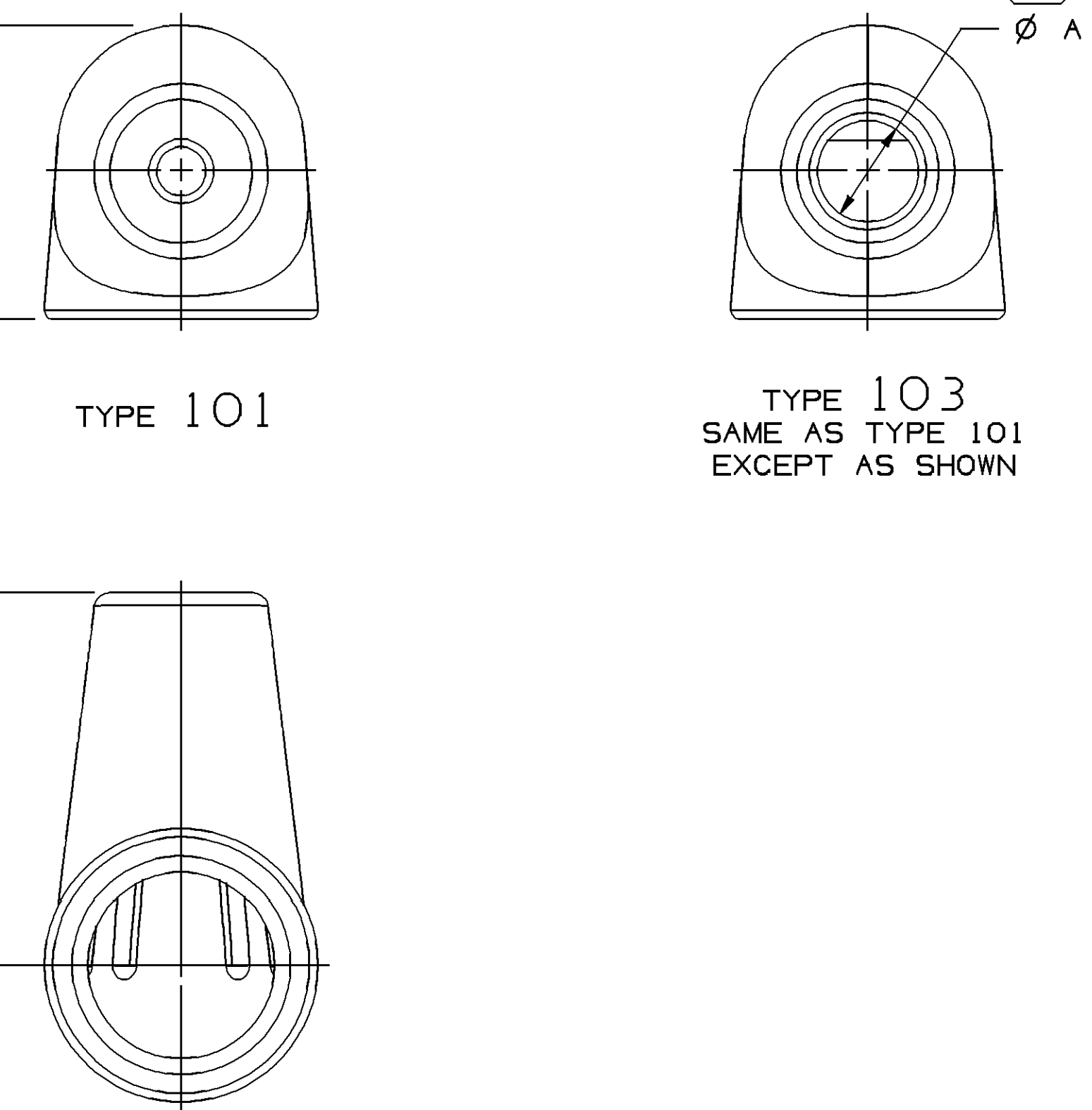
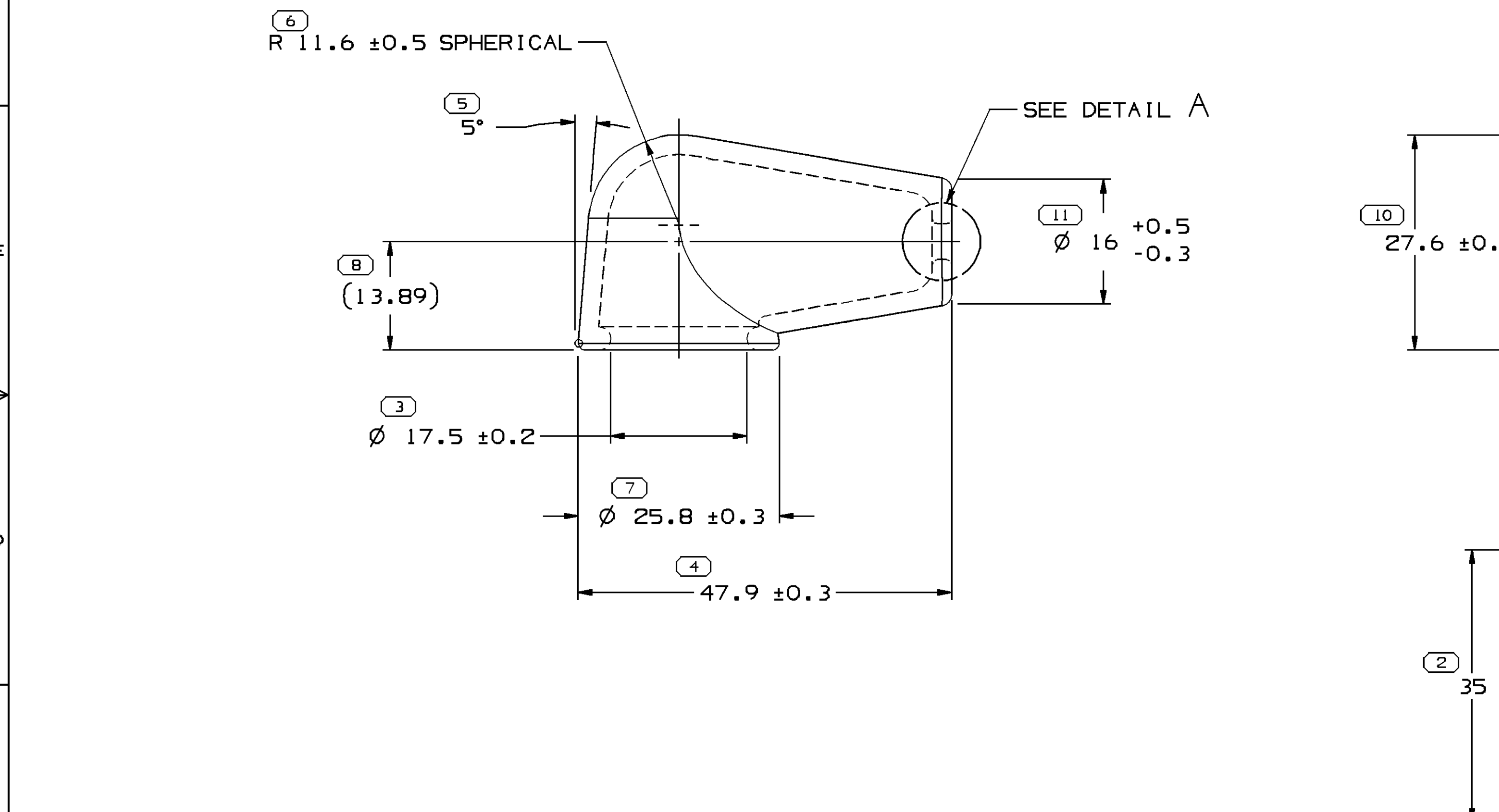
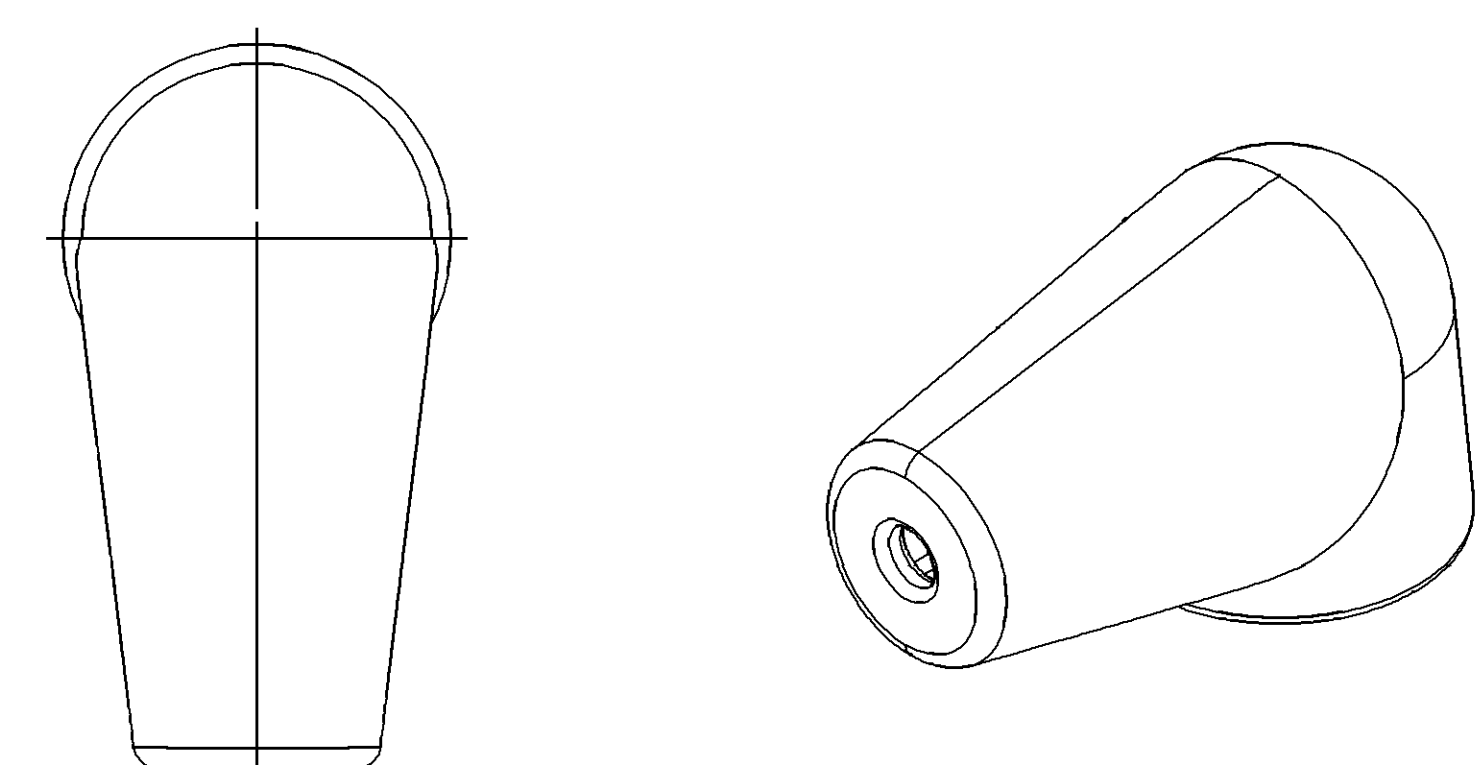


SYMBOL DEFINITION		MISSING NUMBERS	
A DIMENSION WITHOUT AN INSPECTION REPORT SYMBOL DOES NOT REQUIRE INSPECTION. IT MAY BE CONTROLLED ON AN INDIVIDUAL COMPONENT DRAWING.	TOTAL NO. OF SYMBOLS ON DRAWING	19	
	LAST NO. USED	22	

DWG STATUS				ZONE	REVISION HISTORY	AUTH	DR	APVD1	APVD2
DATE	STG	REV	N/P						
21DE00	R	01	-	-	ALL PARTS - REDRAWN TO PD, ADDED RIBS & REVISED HOLE CONSTRUCTION	202963	JLZ	RCH	RC
21DE00	R	02	-	-	12146809 - UPDATED PDM ATTRIBUTES; 12146808 & 12146810 - R 0.75 WAS 1.25	204828	RCH	RCH	RC
21DE00	R	03	-	-	ALL PARTS - REVISED HOLE CONSTRUCTION	205320	RCH	RCH	RC
12SE01	R	04	-	-	ALL PARTS - UPDATED PDM ATTRIBUTES	211668	RCH	RCH	LA
13DE01	R	05	-	-	PROCESS SENSITIVE DIMENSION 9 WAS 2	218574	OGG	GEG	AL
21MY03	R	06	-	-	12146808,10 - REVISED CABLE OD DIM	241451	LFS	RVP	MG
15JN04	-	07	-	-	15497352 - ADDED TO TAXI AND RELEASED	255553	AKJ	AKJ	GER
30JN04	R	08	-	-	15497352 - DIM "A" WAS 7.88	256394	ADK	ADK	GR
04N004	R	09	-	-	ALL PARTS - 17.5 +/-0.2 WAS 17.5 15497352 - 9.5 +/-0.2 WAS 9.5	260973	EES	EES	GR
13DE05	R	10	-	-	12146810 - ADDED DETAIL A : DIMENSION A WAS 4.58	275635	MAC	MAC	JS
100C06	R	11	-	-	ALL PARTS - REVISED MAT'L SPEC	285237	RTV	AMG	JAS
08DE06	R	12	-	-	ALL PARTS - Ø 16 +0.5/-0.3 WAS Ø 16	287319	MM	MM	JAS
06N007	R	13	-	-	ALL PARTS - ADDED NOTE #4 WALL THICKNESS	402835	MM	MM	MDM



- NOTES
- UNLESS OTHERWISE SPECIFIED AND/OR INDICATED:
DIMENSIONS ARE TO FACE OF VIEW SHOWN AND AUTOMATICALLY ROUNDED BY COMPUTER FOR INSPECTION (SEE MATH MODEL FOR PRECISE DIMENSIONS). FOR ALL OTHER DIMENSIONS NOT SHOWN BUT REQUIRED FOR TOOL BUILD, SEE MATH MODEL FOR PRECISE TOOL PATH DATA.
 - REFERENCE MATING COMPONENTS OR EQUIVALENT:
RING TERMINAL 12146363
 - PART SURFACE MUST BE SMOOTH AND NONPOROUS.
 - WALL THICKNESS TO BE 2.5 +0.2/-0.3 CONSTANT; UNLESS OTHERWISE NOTED.

PART NO	REV	N/P	STATUS	TYPE	SIZE MM ²	OD MM	Ø A	VOL CM ³
15497352	02	AD	-	103	19.0	8.01	9.5 ± 0.2	8.192
12146810	06	AK	-	102	8.0 - 5.0	6.06/4.32	4.8	7.751
12146809	06	AH	-	101	19.0 - 13.0	8.01/6.63	6.3 ± 0.5	8.270
12146808	06	AJ	-	101	8.0 - 5.0	6.06/4.32	4.58	8.243

DIMENSIONAL RANGE (MM)		CHART	C
FROM	> 0	> 25	> 60
TO	25	60	80
TOLERANCE UNLESS OTHERWISE SPECIFIED			
	± 0.3	± 0.5	± 0.6
ANGULAR TOLERANCE ± 2°			

DWG TYPE		PART DRAWING	
STYLE	SEE CHART		
VOLUME (CIP)	DISTR CODE		
UNLESS OTHERWISE SPECIFIED			
THIS DOCUMENT IS IN ACCORDANCE WITH ASME Y14.5M-1994 AS AMENDED BY THE 0M GLOBAL DIMENSIONING AND TOLERANCING ADDENDUM-2001. SEPARATE PATTERNS OF FEATURES MAY BE GAGED SEPARATELY REGARDLESS OF DATUM REFERENCES.			
ALL DIMENSIONS ARE IN MILLIMETERS			
REFERENCE	THIRD ANGLE PROJECTION		
DO NOT SCALE		USE MATH DATA	

DELPHI
DELPHI PACKARD ELECTRICAL/ELECTRONIC ARCHITECTURE
WARREN, OH

DR	DATE
APVD1 J. ZAMUDIO	21DE00
APVD2 R. CHACON	21DE00
APVD3 R. CORZAS	22DE00
APVD4	
APVD5	

UNLESS OTHERWISE SPECIFIED
SUBSTANCES OF CONCERN AND RECYCLED CONTENT PER DELPHI 10949001

MATERIAL
M4523002

DRAWING NAME
TAXI SLEV BOOT

DRAWING NUMBER
12146811

SIZE	SCALE	FRAME NO	SHEET NO	STG	REV	N/P
A1	2:1	1 OF 1	1 OF 1	R	13	-

X-ON Electronics

Largest Supplier of Electrical and Electronic Components

Click to view similar products for [Automotive Connectors](#) category:

Click to view products by [APTIV](#) manufacturer:

Other Similar products are found below :

[003-018-000](#) [60403001](#) [60993906-B](#) [629515004020001](#) [M902-2131](#) [M902-2161](#) [72.330.1035.1](#) [73.353.4028.0](#) [F119300-B](#) [F166900](#)
[F258300-B](#) [F358300-B](#) [F407400](#) [F444110](#) [F487000](#) [F509500B-B](#) [827153-1](#) [8N1515-32-24P](#) [9-1326729-8](#) [925474-1](#) [928905-1](#) [964562-4](#)
[968782-1](#) [GT17SA-8DS-HU](#) [98891-1012](#) [98947-1016](#) [12004475-L](#) [12010290](#) [12010309-B](#) [12015454](#) [12020219-B](#) [12020308](#) [12041318-B](#)
[12052225-L](#) [12052466](#) [12059125](#) [12064869](#) [12004327-B](#) [12010503-B](#) [12015308](#) [12015384](#) [12015909](#) [1-21030-1](#) [12041254](#) [12041318](#)
[12047946-B](#) [12047957](#) [12047957-L](#) [12059473](#) [12066261](#)