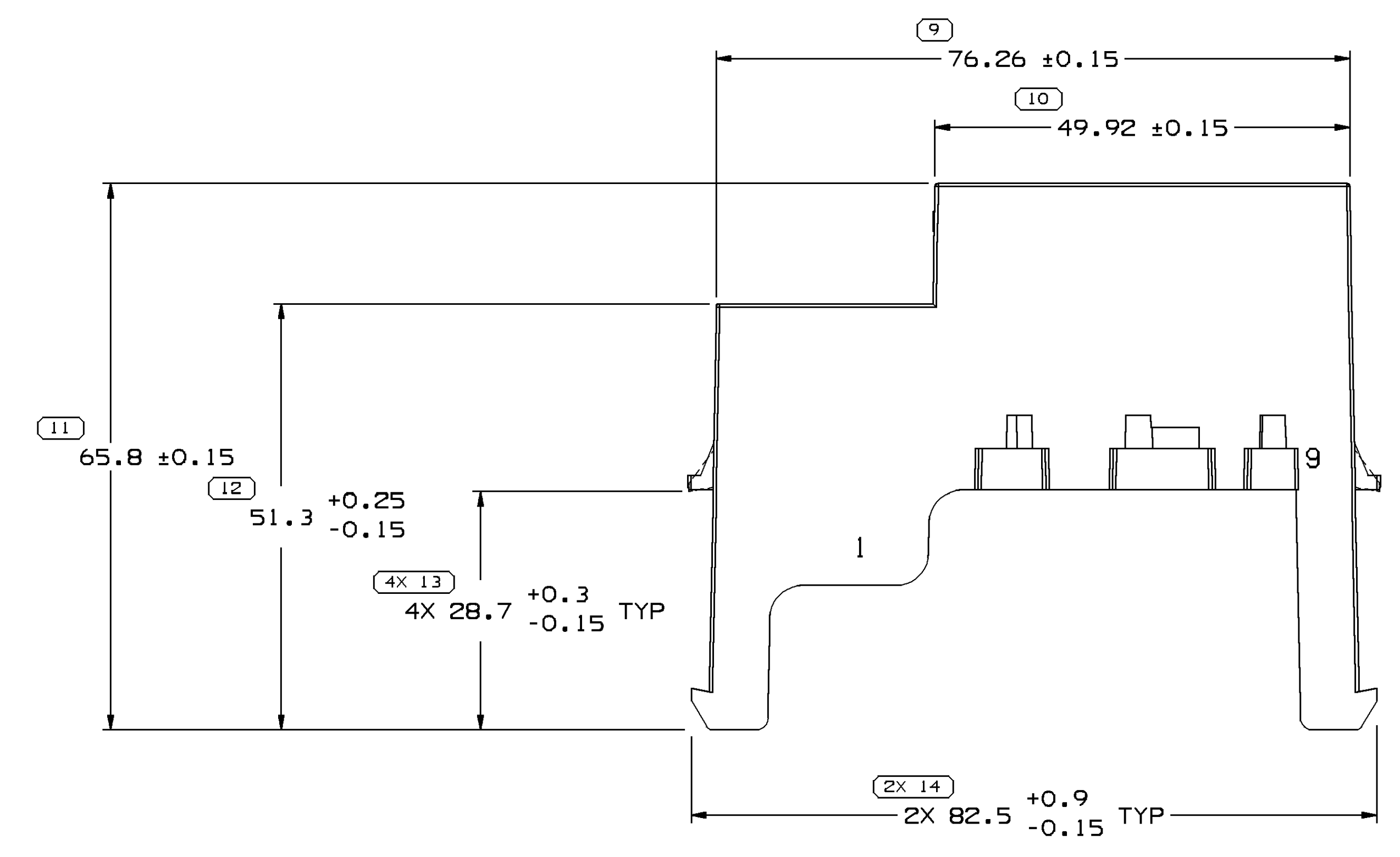
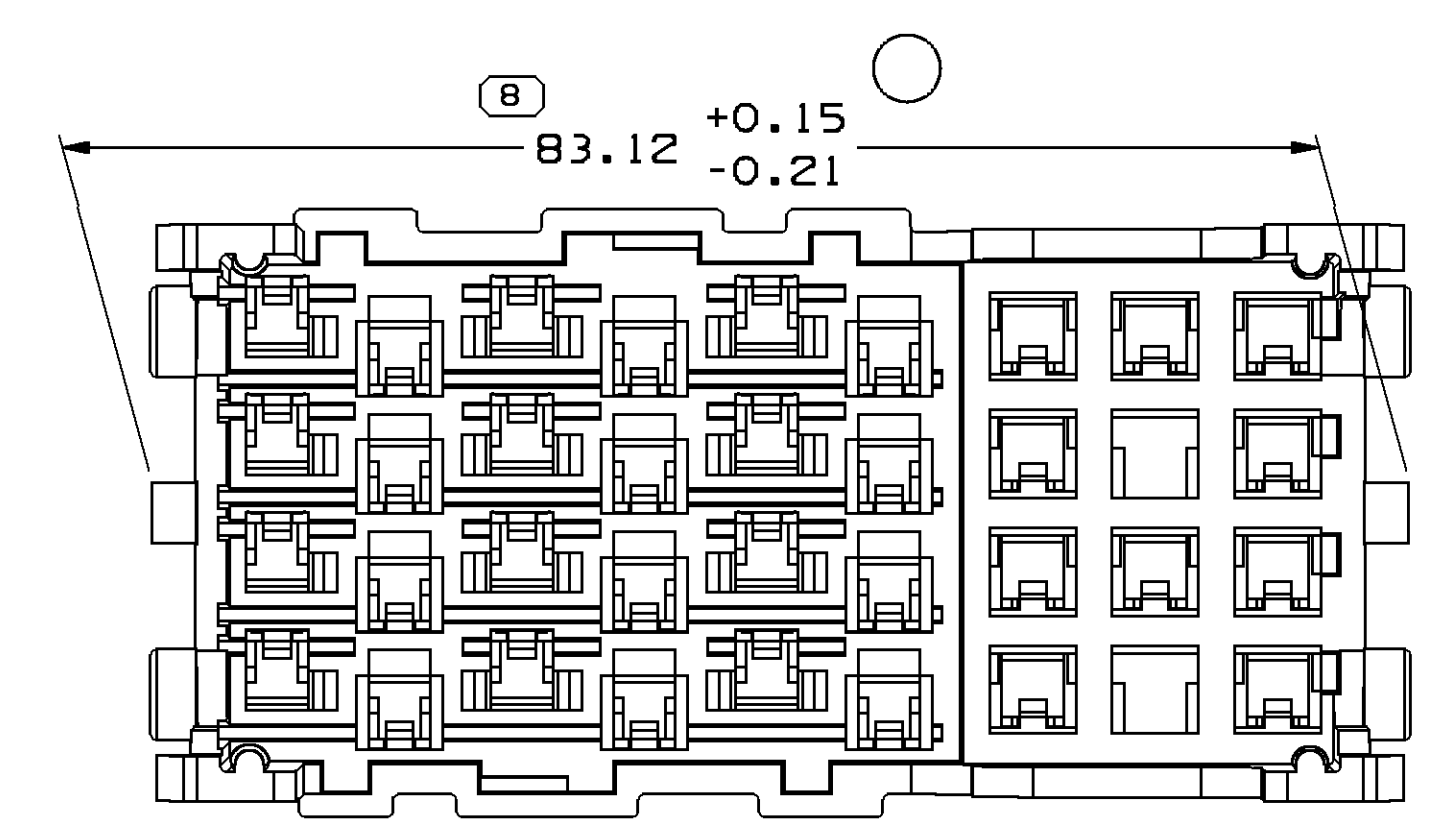
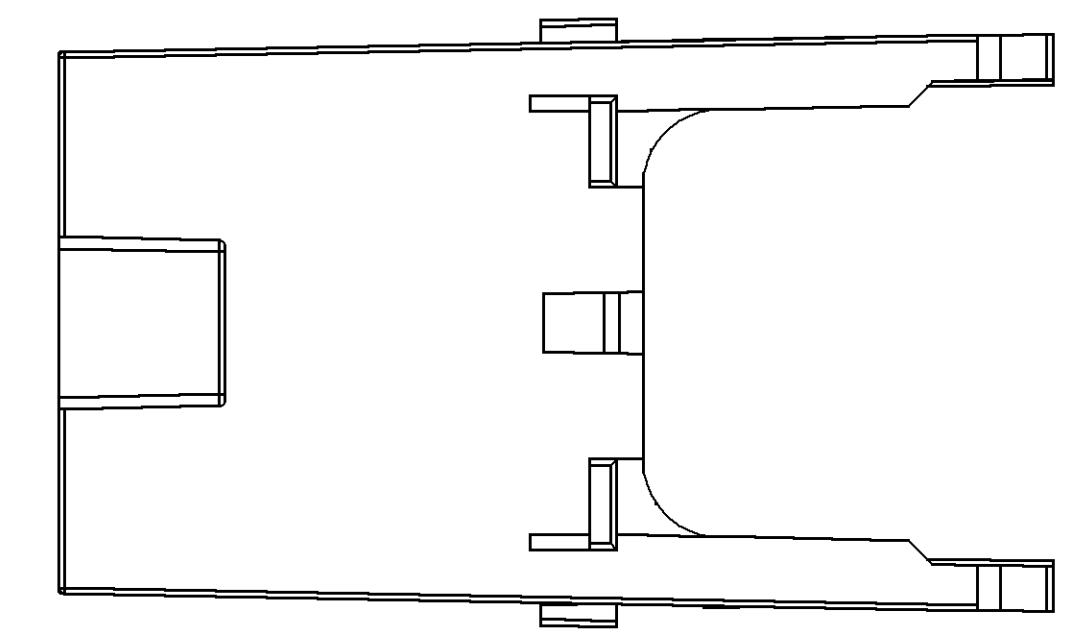
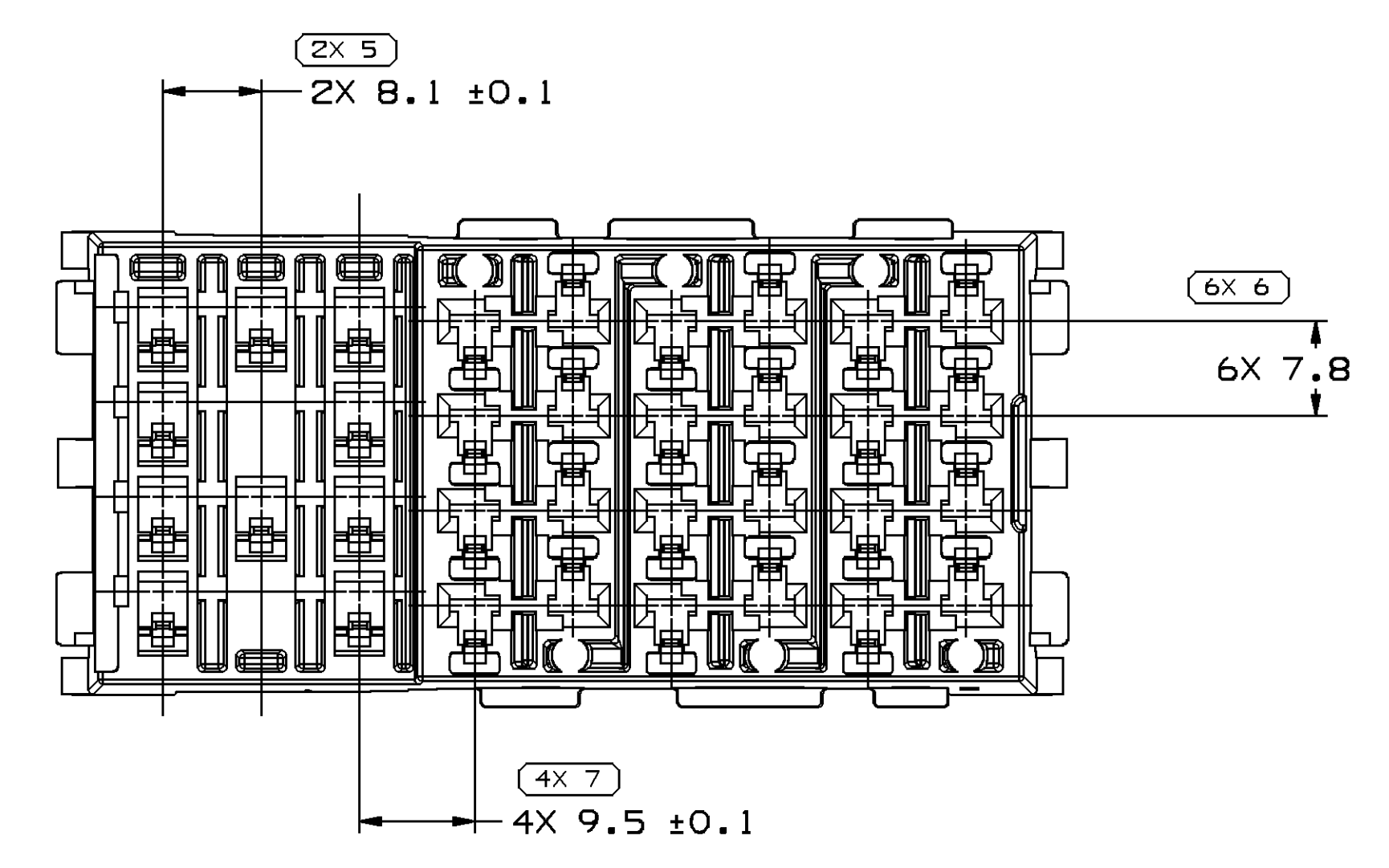
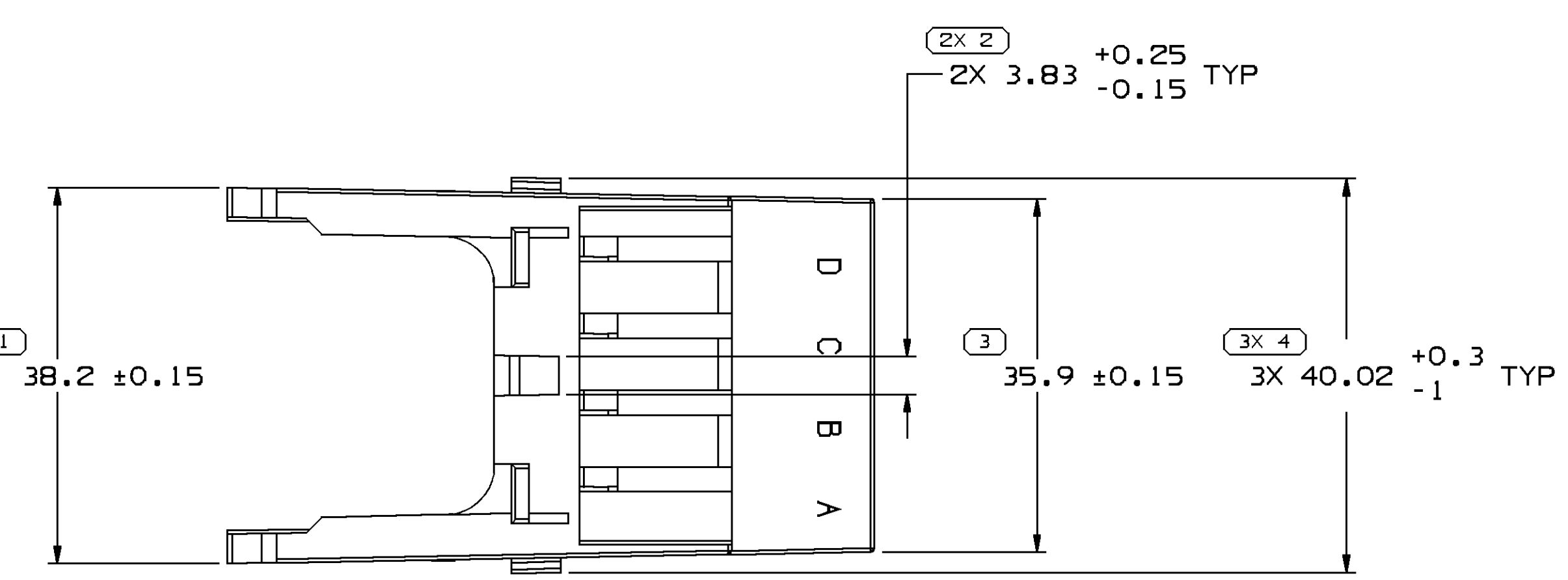
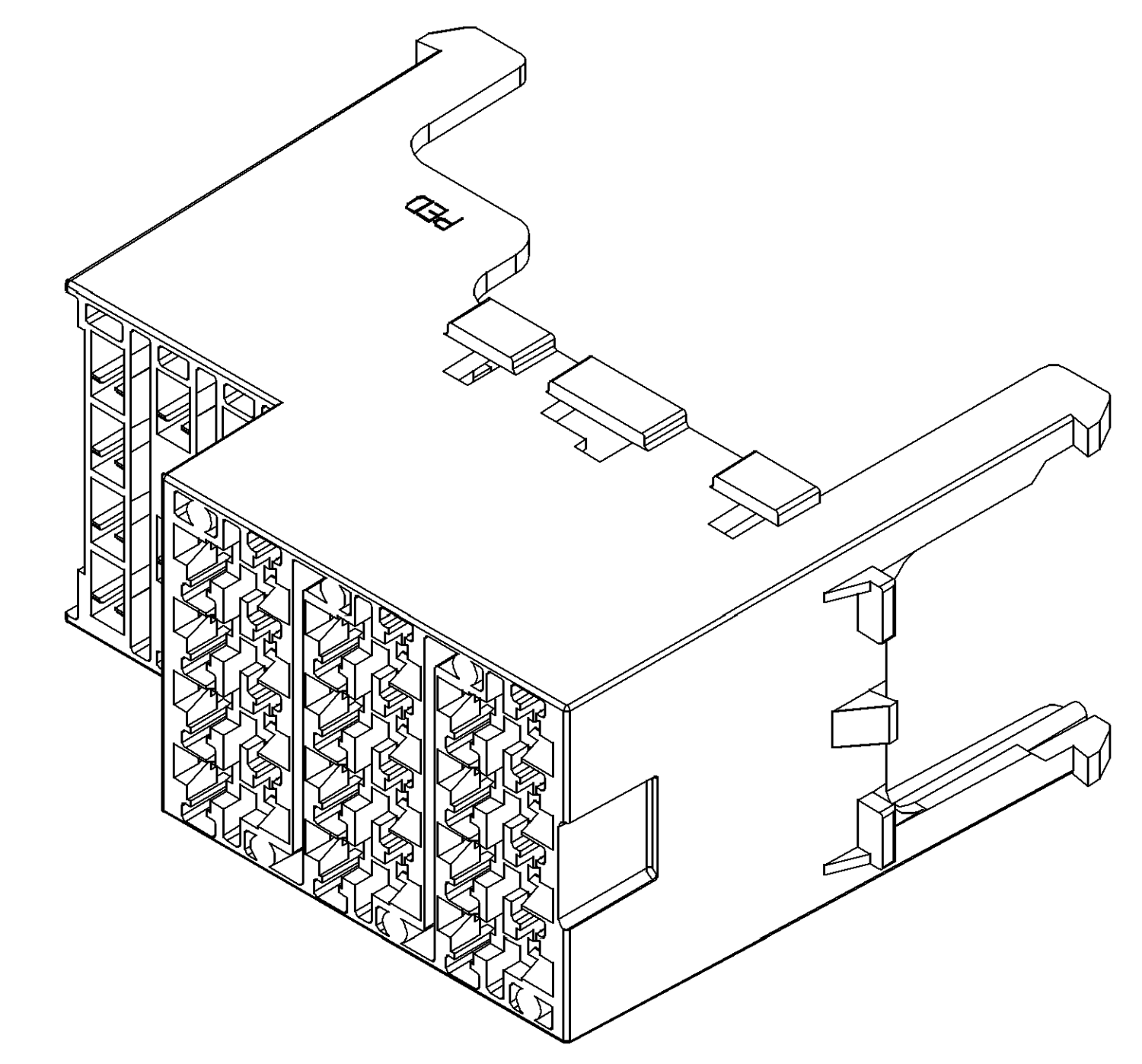
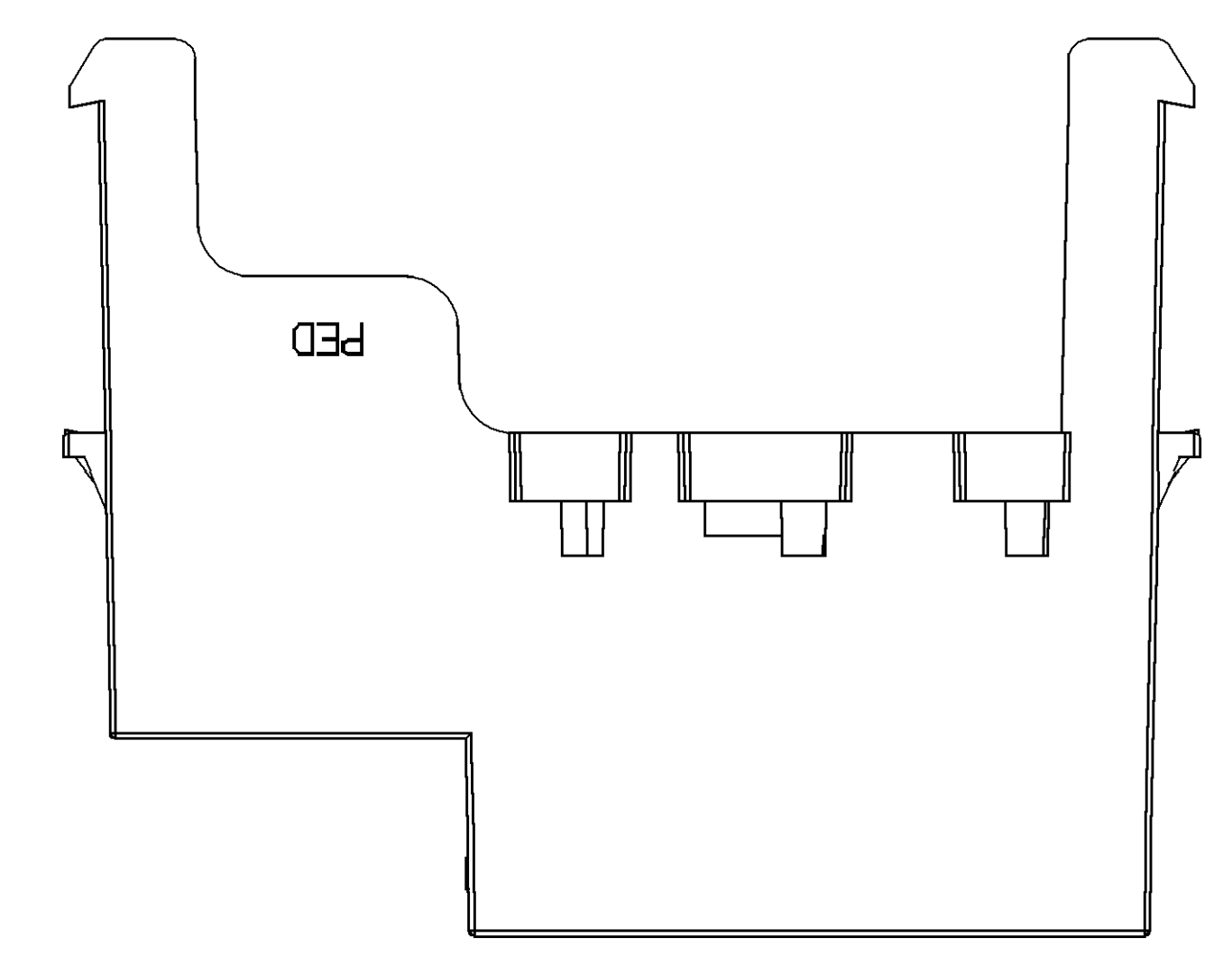


SYMBOL DEFINITION		TOTAL NO OF INSPECTIONS REQUIRED	MISSING SYMBOLS
A DIMENSION WITHOUT AN INSPECTION REPORT SYMBOL DOES NOT REQUIRE INSPECTION. IT MAY BE CONTROLLED ON THE INDIVIDUAL COMPONENT DRAWING.		30	NO MISSING SYMBOL NUMBER
	LAST NO. USED	14	

DWS STATUS					REVISION HISTORY			AUTH	DR	APVD	APVD
DATE	STG	REV	N/P	CHG	ZONE						
20AU09	R	C2	-	-		CLEARED REV COLUMN & REDRAWN TO PD	407049	HRS	JAA	APR	
02AU10	R	C3	-	-		DIM 4 3X 40.02 +0.3/-1 TYP WAS 3X 40.02 +0.3/-0.4 TYP	411508	LHT	LHT	LHT	M
20OC10	R	C4	-	-		DIM 83.12 +0.15/-0.21 WAS DIM 83.12 ±0.15	412306	LHT	RCC	LHT	



**NOTES**

- UNLESS OTHERWISE SPECIFIED AND/OR INDICATED:  
DIMENSIONS ARE TO FACE OF VIEW SHOWN AND AUTOMATICALLY ROUNDED BY COMPUTER FOR INSPECTION (SEE MATH MODEL FOR PRECISE DIMENSIONS). FOR ALL OTHER DIMENSIONS NOT SHOWN BUT REQUIRED FOR TOOL BUILD, SEE MATH MODEL FOR PRECISE TOOL PATH DATA.
- MATERIAL RECYCLING CODE PER ISO 11469. (2,3)X(0.1) CHARACTERS TO BE LOCATED ON ANY EXTERIOR SURFACE. OPTIONAL CONSTRUCTION TO BE NO MATERIAL RECYCLING CODE.
- THIS PRODUCT IS NOT CATEGORIZED AS AN APPEARANCE ITEM, MINOR IMPERFECTIONS INCLUDING, BUT NOT LIMITED TO, FLOW MARKS, COLOR BLEMISHES, GATE VESTIGE, AND SOFT FLASH THAT DO NOT AFFECT THE FIT, FORM, OR FUNCTION OF THE PART ARE PERMISSIBLE PER DPNP-4.7-CS-01.
- REFERENCE MATING COMPONENTS OR EQUIVALENT:  
TPA LOCK 12146816 & 12146817
- THIS PART ACCEPTS THE FOLLOWING COMPONENTS OR EQUIVALENT:  
TERMINALS (NUMBER LISTED IS TAXI DRAWING)  
RELAY CAVITIES A1,A3,B1,B2,B3,C1,C3,D1,D2 & D3 ACCEPTS 12110844 OR EQUIVALENT.  
MAX INSULATION CRIMP MUST BE LESS THAN 5.6 HIGH AND 5.6 WIDE.  
MINIFUSE CAVITIES A4,A6, A8, B4, B6, B8, C4, C6, C8, D4, D6, & D8 ACCEPTS 12110660 BUSSED OR EQUIVALENT.  
MAX INSULATION CRIMP MUST BE LESS THAN 5.6 HIGH AND 5.5 WIDE.  
MINIFUSE CAVITIES A5, A7, A9, B5, B7, B9, C5, C7, C9, D5, D7, & D9 ACCEPTS 12110644 OR EQUIVALENT.  
MAX INSULATION CRIMP MUST BE LESS THAN 4.6 HIGH AND 4 WIDE.
- (2,3)X(0.1) DELPHI CORPORATE BRAND TO BE LOCATED ON ANY EXTERIOR SURFACE, PREFERABLY VISIBLE AT FINAL ASSEMBLY. OPTIONAL CONSTRUCTION FOR EXISTING TOOLING MAY BE "PED" OR NO LOGO.
- THIS PART IS NOT CONTROLLED FOR AUTOMATIC FEEDING.

DIMENSIONAL RANGE (MM)	CHART SET
FROM 0 TO >20	>70
>20 TO >30	>100
>30 TO >40	>150
>40 TO >50	>200
>50 TO >60	>250
>60 TO >70	>300
>70 TO >80	>350
>80 TO >90	>400
>90 TO >100	>450
>100 TO >125	>500
>125 TO >150	>550
>150 TO >200	>600
>200 TO >250	>650
>250 TO >300	>700
>300 TO >400	>750
>400 TO >500	>800
>500 TO >600	>850
>600 TO >700	>900
>700 TO >800	>950
>800 TO >900	>1000
>900 TO >1000	>1050
>1000 TO >1250	>1100
>1250 TO >1500	>1150
>1500 TO >2000	>1200
>2000 TO >2500	>1250
>2500 TO >3000	>1300
>3000 TO >4000	>1350
>4000 TO >5000	>1400
>5000 TO >6000	>1450
>6000 TO >7000	>1500
>7000 TO >8000	>1550
>8000 TO >9000	>1600
>9000 TO >10000	>1650
>10000 TO >12500	>1700
>12500 TO >15000	>1750
>15000 TO >20000	>1800
>20000 TO >25000	>1850
>25000 TO >30000	>1900
>30000 TO >40000	>1950
>40000 TO >50000	>2000
>50000 TO >60000	>2050
>60000 TO >70000	>2100
>70000 TO >80000	>2150
>80000 TO >90000	>2200
>90000 TO >100000	>2250
>100000 TO >125000	>2300
>125000 TO >150000	>2350
>150000 TO >200000	>2400
>200000 TO >250000	>2450
>250000 TO >300000	>2500
>300000 TO >400000	>2550
>400000 TO >500000	>2600
>500000 TO >600000	>2650
>600000 TO >700000	>2700
>700000 TO >800000	>2750
>800000 TO >900000	>2800
>900000 TO >1000000	>2850
>1000000 TO >1250000	>2900
>1250000 TO >1500000	>2950
>1500000 TO >2000000	>3000
>2000000 TO >2500000	>3050
>2500000 TO >3000000	>3100
>3000000 TO >4000000	>3150
>4000000 TO >5000000	>3200
>5000000 TO >6000000	>3250
>6000000 TO >7000000	>3300
>7000000 TO >8000000	>3350
>8000000 TO >9000000	>3400
>9000000 TO >10000000	>3450
>10000000 TO >12500000	>3500
>12500000 TO >15000000	>3550
>15000000 TO >20000000	>3600
>20000000 TO >25000000	>3650
>25000000 TO >30000000	>3700
>30000000 TO >40000000	>3750
>40000000 TO >50000000	>3800
>50000000 TO >60000000	>3850
>60000000 TO >70000000	>3900
>70000000 TO >80000000	>3950
>80000000 TO >90000000	>4000
>90000000 TO >100000000	>4050
>100000000 TO >125000000	>4100
>125000000 TO >150000000	>4150
>150000000 TO >200000000	>4200
>200000000 TO >250000000	>4250
>250000000 TO >300000000	>4300
>300000000 TO >400000000	>4350
>400000000 TO >500000000	>4400
>500000000 TO >600000000	>4450
>600000000 TO >700000000	>4500
>700000000 TO >800000000	>4550
>800000000 TO >900000000	>4600
>900000000 TO >1000000000	>4650
>1000000000 TO >1250000000	>4700
>1250000000 TO >1500000000	>4750
>1500000000 TO >2000000000	>4800
>2000000000 TO >2500000000	>4850
>2500000000 TO >3000000000	>4900
>3000000000 TO >4000000000	>4950
>4000000000 TO >5000000000	>5000
>5000000000 TO >6000000000	>5050
>6000000000 TO >7000000000	>5100
>7000000000 TO >8000000000	>5150
>8000000000 TO >9000000000	>5200
>9000000000 TO >10000000000	>5250
>10000000000 TO >12500000000	>5300
>12500000000 TO >15000000000	>5350
>15000000000 TO >20000000000	>5400
>20000000000 TO >25000000000	>5450
>25000000000 TO >30000000000	>5500
>30000000000 TO >40000000000	>5550
>40000000000 TO >50000000000	>5600
>50000000000 TO >60000000000	>5650
>60000000000 TO >70000000000	>5700
>70000000000 TO >80000000000	>5750
>80000000000 TO >90000000000	>5800
>90000000000 TO >100000000000	>5850
>100000000000 TO >125000000000	>5900
>125000000000 TO >150000000000	>5950
>150000000000 TO >200000000000	>6000
>200000000000 TO >250000000000	>6050
>250000000000 TO >300000000000	>6100
>300000000000 TO >400000000000	>6150
>400000000000 TO >500000000000	>6200
>500000000000 TO >600000000000	>6250
>600000000000 TO >700000000000	>6300
>700000000000 TO >800000000000	>6350
>800000000000 TO >900000000000	>6400
>900000000000 TO >1000000000000	>6450
>1000000000000 TO >1250000000000	>6500
>1250000000000 TO >1500000000000	>6550
>1500000000000 TO >2000000000000	>6600
>2000000000000 TO >2500000000000	>6650
>2500000000000 TO >3000000000000	>6700
>3000000000000 TO >4000000000000	>6750
>4000000000000 TO >5000000000000	>6800
>5000000000000 TO >6000000000000	>6850
>6000000000000 TO >7000000000000	>6900
>7000000000000 TO >8000000000000	>6950
>8000000000000 TO >9000000000000	>7000
>9000000000000 TO >10000000000000	>7050
>10000000000000 TO >12500000000000	>7100
>12500000000000 TO >15000000000000	>7150
>15000000000000 TO >20000000000000	>7200
>20000000000000 TO >25000000000000	>7250
>25000000000000 TO >30000000000000	>7300
>30000000000000 TO >40000000000000	>7350
>40000000000000 TO >50000000000000	>7400
>50000000000000 TO >60000000000000	>7450
>60000000000000 TO >70000000000000	>7500
>70000000000000 TO >80000000000000	>7550
>80000000000000 TO >90000000000000	>7600
>90000000000000 TO >100000000000000	>7650
>100000000000000 TO >125000000000000	>7700
>125000000000000 TO >150000000000000	>7750
>150000000000000 TO >200000000000000	>7800
>200000000000000 TO >250000000000000	>7850
>250000000000000 TO >300000000000000	>7900
>300000000000000 TO >400000000000000	>7950
>400000000000000 TO >500000000000000	>8000
>500000000000000 TO >600000000000000	>8050
>600000000000000 TO >700000000000000	>8100
>700000000000000 TO >800000000000000	>8150
>800000000000000 TO >900000000000000	>8200
>900000000000000 TO >1000000000000000	>8250
>1000000000000000 TO >1250000000000000	>8300
>1250000000000000 TO >1500000000000000	>8350
>1500000000000000 TO >2000000000000000	>8400
>2000000000000000 TO >2500000000000000	>8450
>2500000000000000 TO >3000000000000000	>8500
>3000000000000000 TO >4000000000000000	>8550
>4000000000000000 TO >5000000000000000	>8600
>5000000000000000 TO >6000000000000000	>8650
>6000000000000000 TO >7000000000000000	>8700
>7000000000000000 TO >8000000000000000	>8750
>8000000000000000 TO >9000000000000000	>8800
>9000000000000000 TO >10000000000000000	>8850
>10000000000000000 TO >12500000000000000	>8900
>12500000000000000 TO >15000000000000000	>8950
>15000000000000000 TO >20000000000000000	>9000
>20000000000000000 TO >25000000000000000	>9050
>25000000000000000 TO >30000000000000000	>9100
>30000000000000000 TO >40000000000000000	>9150
>40000000000000000 TO >50000000000000000	>9200
>50000000000000000 TO >60000000000000000	>9250
>60000000000000000 TO >70000000000000000	>9300
>70000000000000000 TO >80000000000000000	>9350
>80000000000000000 TO >90000000000000000	>9400
>90000000000000000 TO >100000000000000000	>9450
>100000000000000000 TO >125000000000000000	>9500
>125000000000000000 TO >150000000000000000	>9550
>150000000000000000 TO >200000000000000000	>9600
>200000000000000000 TO >250000000000000000	>9650
>250000000000000000 TO >300000000000000000	>9700
>300000000000000000 TO >400000000000000000	>9750
>400000000000000000 TO >500000000000000000	>9800
>500000000000000000 TO >600000000000000000	>9850
>600000000000000000 TO >700000000000000000	>9900
>700000000000000000 TO >800000000000000000	>9950
>800000000000000000 TO >900000000000000000	>10000
>900000000000000000 TO &	

## X-ON Electronics

Largest Supplier of Electrical and Electronic Components

*Click to view similar products for [Automotive Connectors](#) category:*

*Click to view products by [APTIV](#) manufacturer:*

Other Similar products are found below :

[003-018-000](#) [60403001](#) [60993906-B](#) [629515004020001](#) [M902-2131](#) [M902-2161](#) [72.330.1035.1](#) [73.353.4028.0](#) [F119300-B](#) [F166900](#)  
[F258300-B](#) [F358300-B](#) [F407400](#) [F444110](#) [F487000](#) [F509500B-B](#) [827153-1](#) [8N1515-32-24P](#) [9-1326729-8](#) [925474-1](#) [928905-1](#) [964562-4](#)  
[968782-1](#) [GT17SA-8DS-HU](#) [98891-1012](#) [98947-1016](#) [12004475-L](#) [12010290](#) [12010309-B](#) [12015454](#) [12020219-B](#) [12020308](#) [12041318-B](#)  
[12052225-L](#) [12052466](#) [12059125](#) [12064869](#) [12004327-B](#) [12010503-B](#) [12015308](#) [12015384](#) [12015909](#) [1-21030-1](#) [12041254](#) [12041318](#)  
[12047946-B](#) [12047957](#) [12047957-L](#) [12059473](#) [12066261](#)