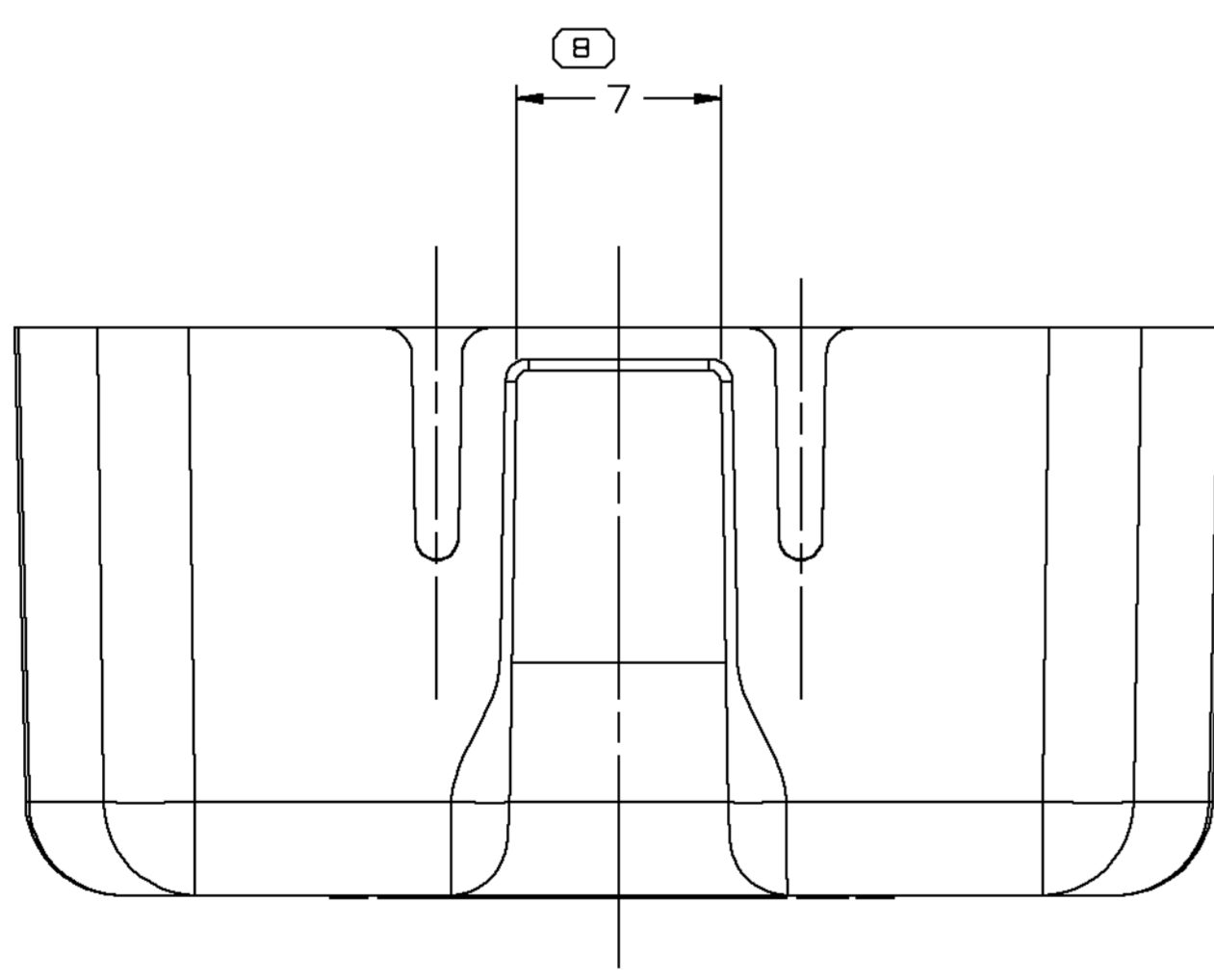
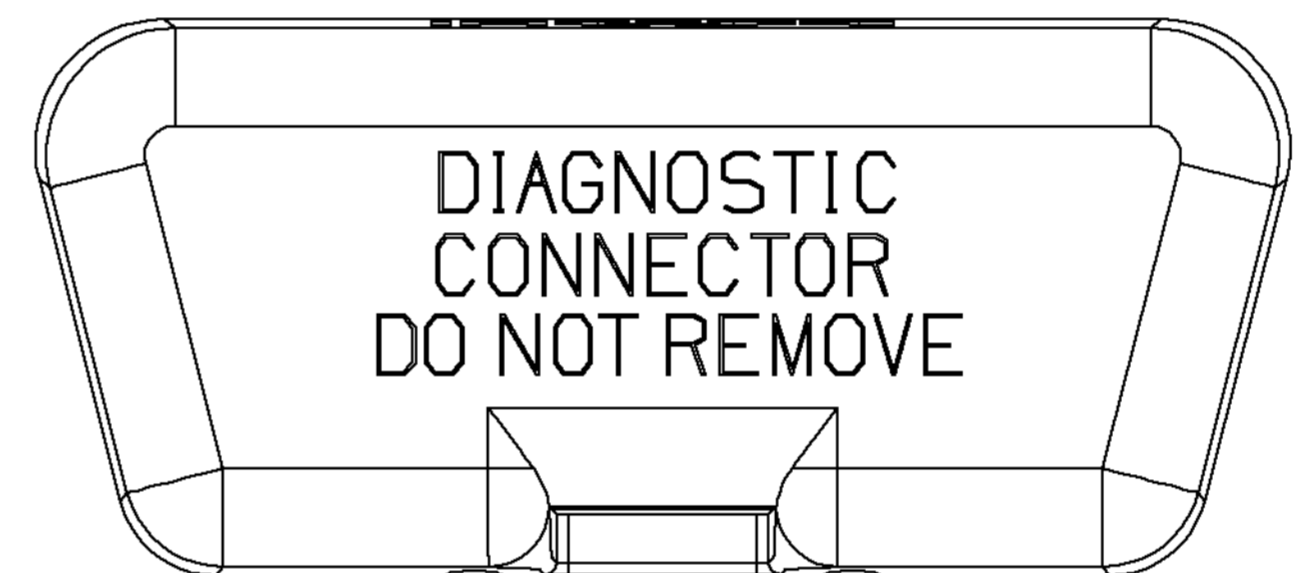
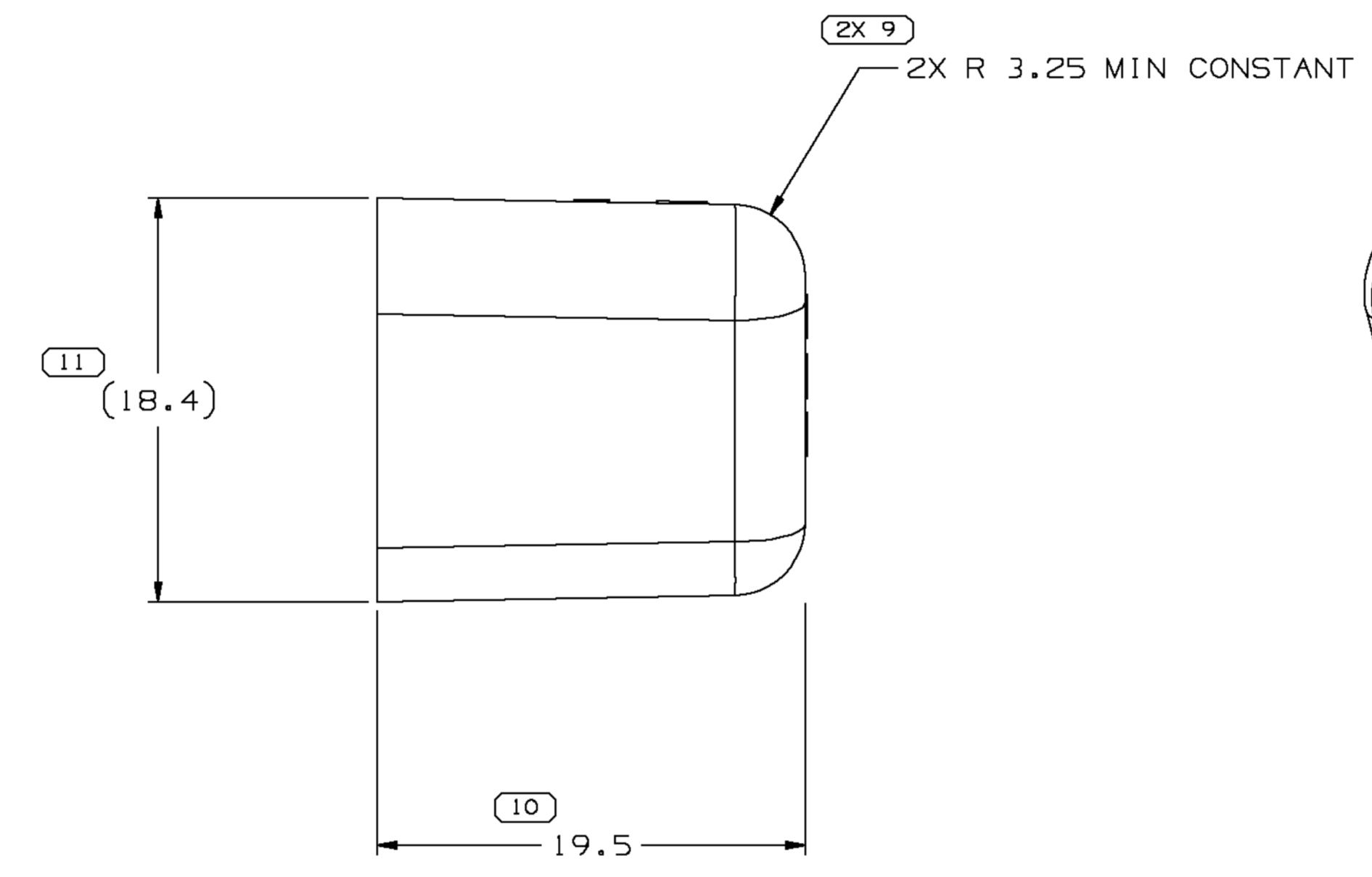
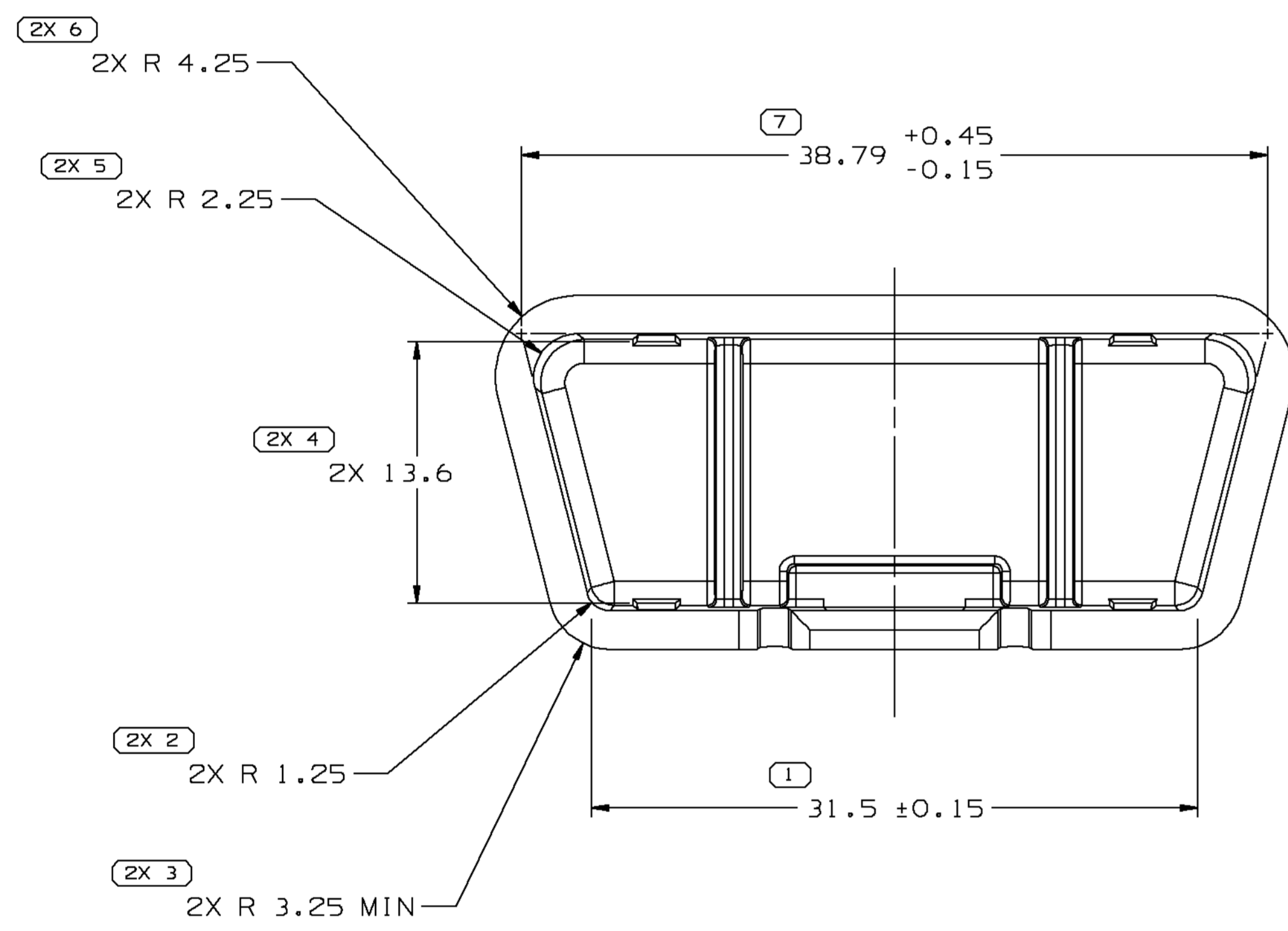
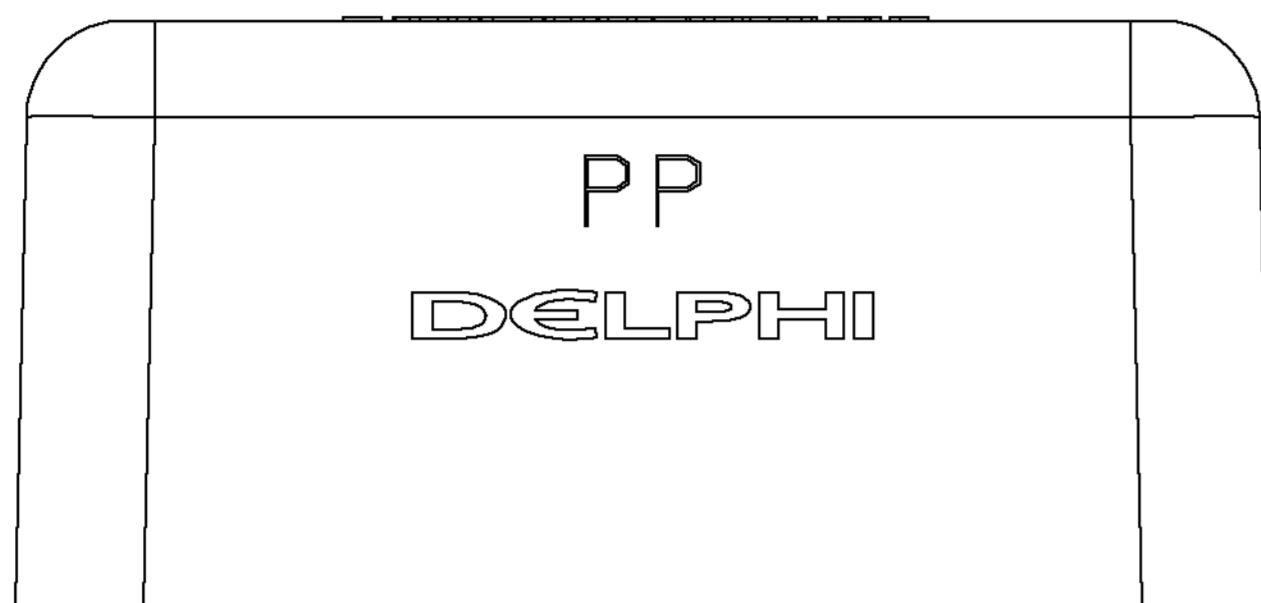
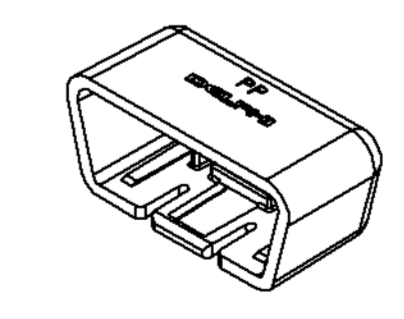


SYMBOL DEFINITION		MISSING SYMBOLS	
A DIMENSION WITHOUT AN INSPECTION REPORT SYMBOL DOES NOT REQUIRE INSPECTION. IT MAY BE CONTROLLED ON THE INDIVIDUAL COMPONENT DRAWING.	TOTAL NO OF INSPECTIONS REQUIRED	NO MISSING SYMBOL NUMBER	
	17		
	LAST NO. USED		
	11		

DWG STATUS					REVISION HISTORY		AUTH	DR	APVD	APVD
DATE	STG	REV	N/P	CHG	ZONE					
07NO01	R	C3	-	-		REDRAWN TO PD & DIM TOL WAS ±0.15	216795	RVP	RVP	OMC
26AU02	R	C4	-	-		UPDATED PDM ATTRIBUTES, MAT'L SPEC WAS R0061354 PP BLK & ADDED NOTES (2 PLCS)	229656	RVP	RVP	ET
24JA03	R	O4	-	-		REVISED MAT'L SPEC	236015	RAO	RH	ET



- NOTES
- UNLESS OTHERWISE SPECIFIED AND/OR INDICATED: DIMENSIONS ARE TO FACE OF VIEW SHOWN AND AUTOMATICALLY ROUNDED BY COMPUTER FOR INSPECTION (SEE MATH MODEL FOR PRECISE DIMENSIONS). FOR ALL OTHER DIMENSIONS NOT SHOWN BUT REQUIRED FOR TOOL BUILD, SEE MATH MODEL FOR PRECISE TOOL PATH DATA.
 - MATING COMPONENTS OR EQUIVALENT: CONNECTOR 12110250
 - MATERIAL RECYCLING CODE >PP< PER SAE J1344. (2.3)X(0.1) RAISED CHARACTERS AS SHOWN TO BE LOCATED ON ANY EXTERIOR SURFACE. OPTIONAL CONSTRUCTION TO BE NO MATERIAL RECYCLING CODE.
 - OUTSIDE SURFACE TO HAVE A MOLD TECH FINISH. MOLD TECH FINISH MT-1055-2 OR EQUIVALENT
 - (2.3)X(0.1) RAISED DELPHI CORPORATE BRAND TO BE LOCATED ON ANY EXTERIOR SURFACE, PREFERABLY VISIBLE AT FINAL ASSEMBLY. OPTIONAL CONSTRUCTION TO BE "PED" OR NO LOGO.



R 0.1 MAX R 0.2 MAX SHARP CORNER TOLERANCE	DIMENSIONAL RANGE (MM)	CHART ET
	FROM TO	SCALE
	0 20 30 70 100 150 200 250 300 400	1:1 1:2
	±0.15 ±0.2 ±0.3 ±0.4 ±0.5 ±0.6 ±0.8 ±1 ±1.2	
		ANGULAR TOLERANCE ±2°

DWO TYPE PART DRAWING	
STYLE 4.763	DISTR CODE D
ROUTING 6900	
UNLESS OTHERWISE SPECIFIED	
THIS DOCUMENT IS IN ACCORDANCE WITH ASME Y14.5M-1994 AS AMENDED BY THE 2003 DIMENSIONING AND TOLERANCING ADDENDUM - 1997. ALL GEOMETRIC TOLERANCES AND RELATED SURFACE APPLICABLE. IF PRESENT FOR ALL WHICH DOES NOT APPLY WHEN RELATIONSHIP BETWEEN FEATURES IS ESTABLISHED BY ORIENTATION OR LOCATION TOLERANCES. SEPARATE POSITION CALLOUTS MAY BE BARED SEPARATELY. REGARDLESS OF DATUM REFERENCE. ALL DIMENSIONS ARE IN MILLIMETERS.	
REFERENCE	THIRD ANGLE PROJECTION
	DO NOT SCALE
	USE MATH DATA

DELPHI
DELPHI PACKARD ELECTRIC SYSTEMS
MAREN, OH

DR A. RASCHILLA	DATE 10SE93
APVD1 A. RASCHILLA	10SE93
APVD2 G. CHAPMAN	28SE93
APVD3 A. RASCHILLA	06OC93
APVD4	
APVD5	

MATERIAL SUBSTANCES OF CONCERN AND RECYCLED CONTENT PER DELPHI 10949001

M2097001 PP IM BLK

DRAWING NAME COV CONN M/P BLK

DRAWING NUMBER 12146933

SIZE A0 SCALE 4:1 FRAME NO 1 OF 1 SHEET NO 1 OF 1 DTG REV N/P 04

X-ON Electronics

Largest Supplier of Electrical and Electronic Components

Click to view similar products for [Automotive Connectors](#) category:

Click to view products by [APTIV](#) manufacturer:

Other Similar products are found below :

[003-018-000](#) [60403001](#) [60993906-B](#) [629515004020001](#) [M902-2131](#) [M902-2161](#) [72.330.1035.1](#) [73.353.4028.0](#) [F119300-B](#) [F166900](#)
[F258300-B](#) [F358300-B](#) [F407400](#) [F444110](#) [F487000](#) [F509500B-B](#) [827153-1](#) [8N1515-32-24P](#) [9-1326729-8](#) [925474-1](#) [928905-1](#) [964562-4](#)
[968782-1](#) [GT17SA-8DS-HU](#) [98891-1012](#) [98947-1016](#) [12004475-L](#) [12010290](#) [12010309-B](#) [12015454](#) [12020219-B](#) [12020308](#) [12041318-B](#)
[12052225-L](#) [12052466](#) [12059125](#) [12064869](#) [12004327-B](#) [12010503-B](#) [12015308](#) [12015384](#) [12015909](#) [1-21030-1](#) [12041254](#) [12041318](#)
[12047946-B](#) [12047957](#) [12047957-L](#) [12059473](#) [12066261](#)