
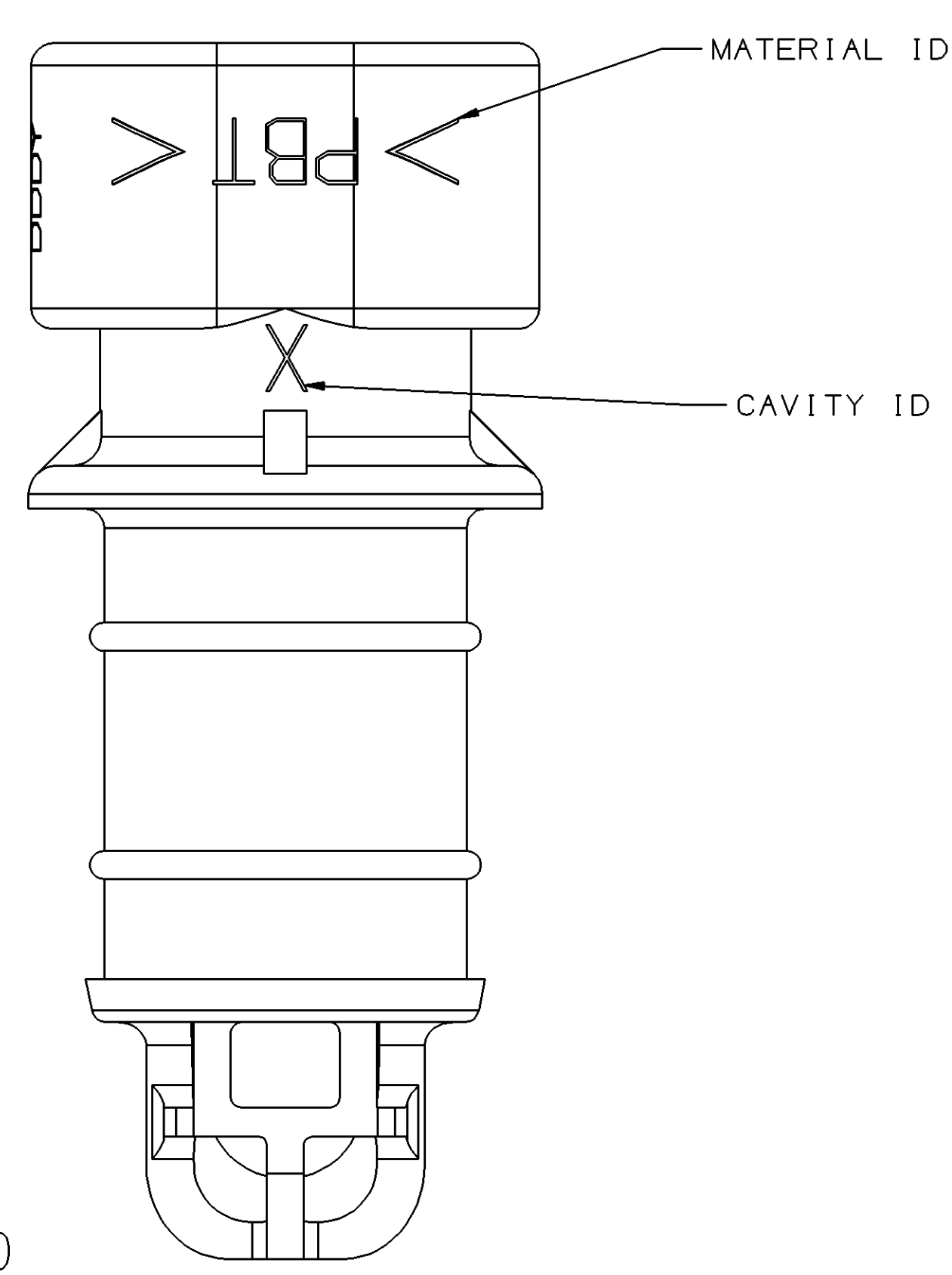
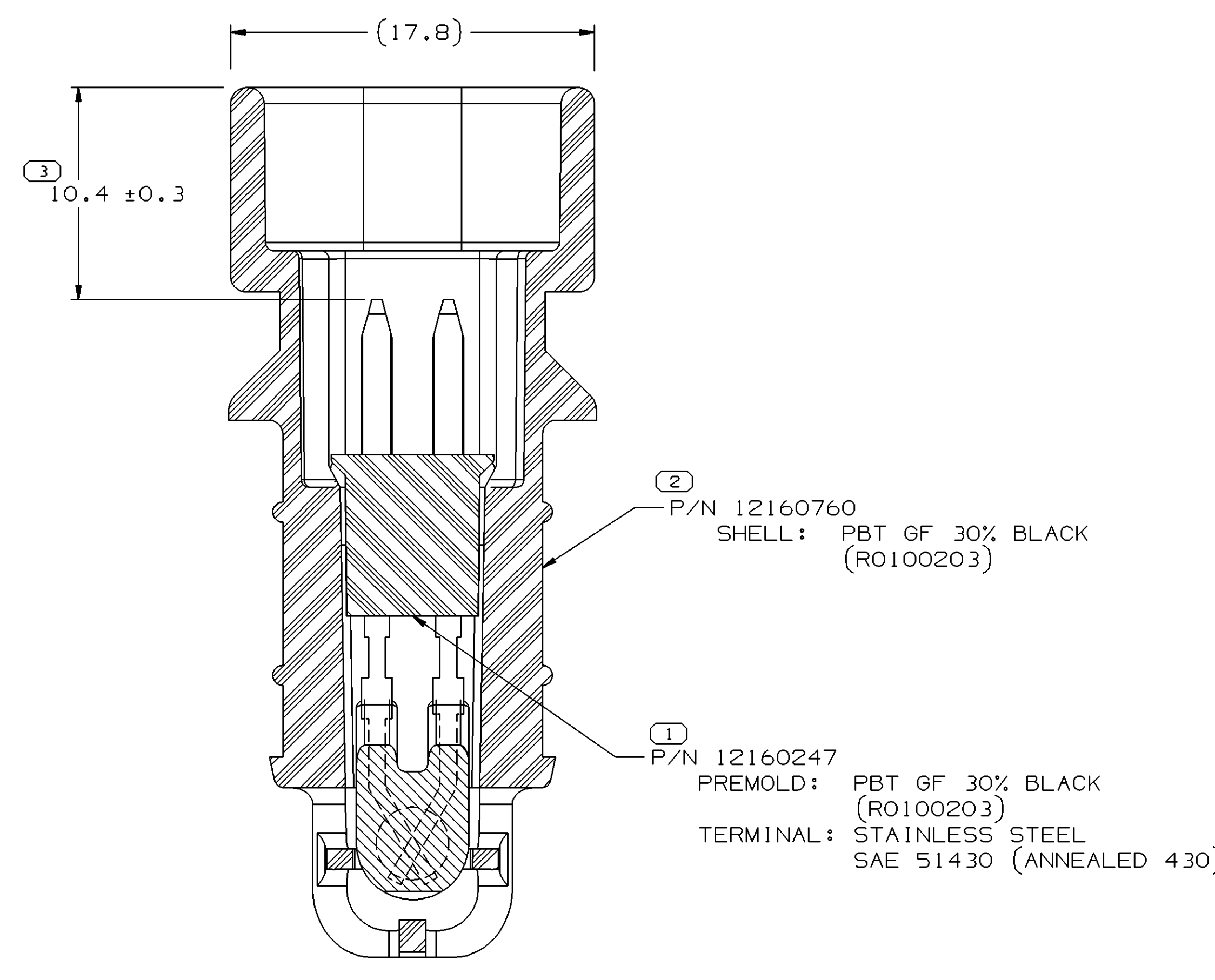
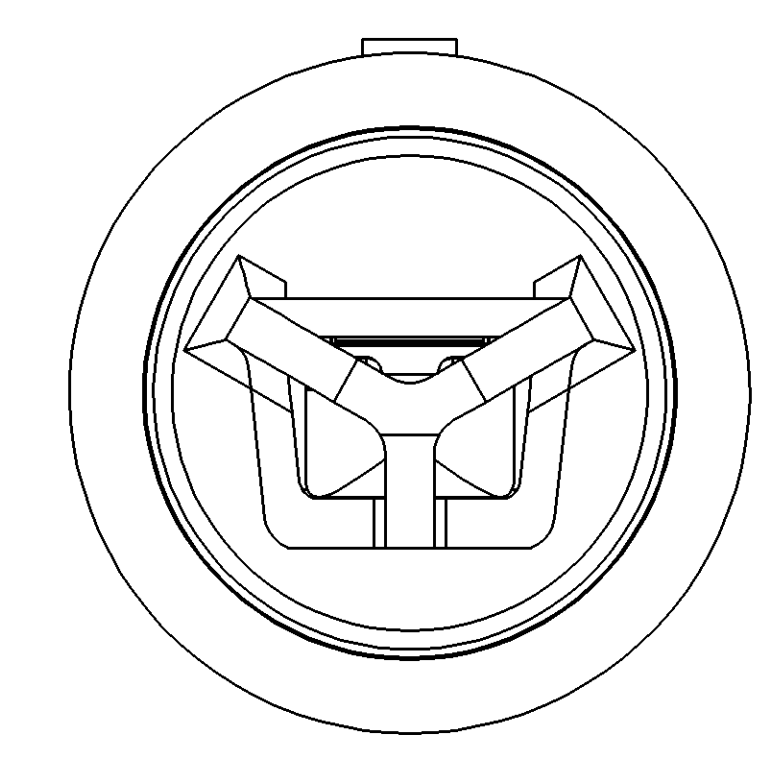
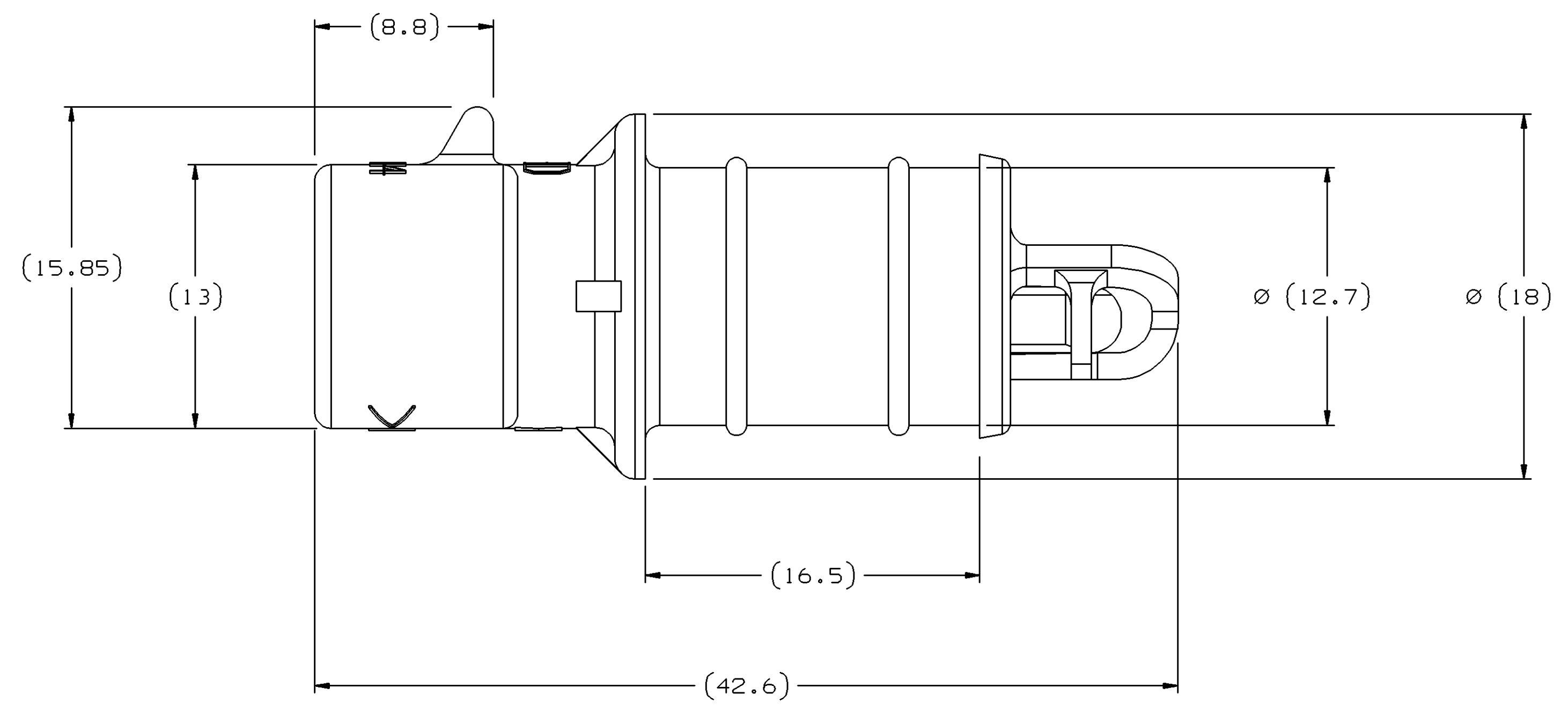
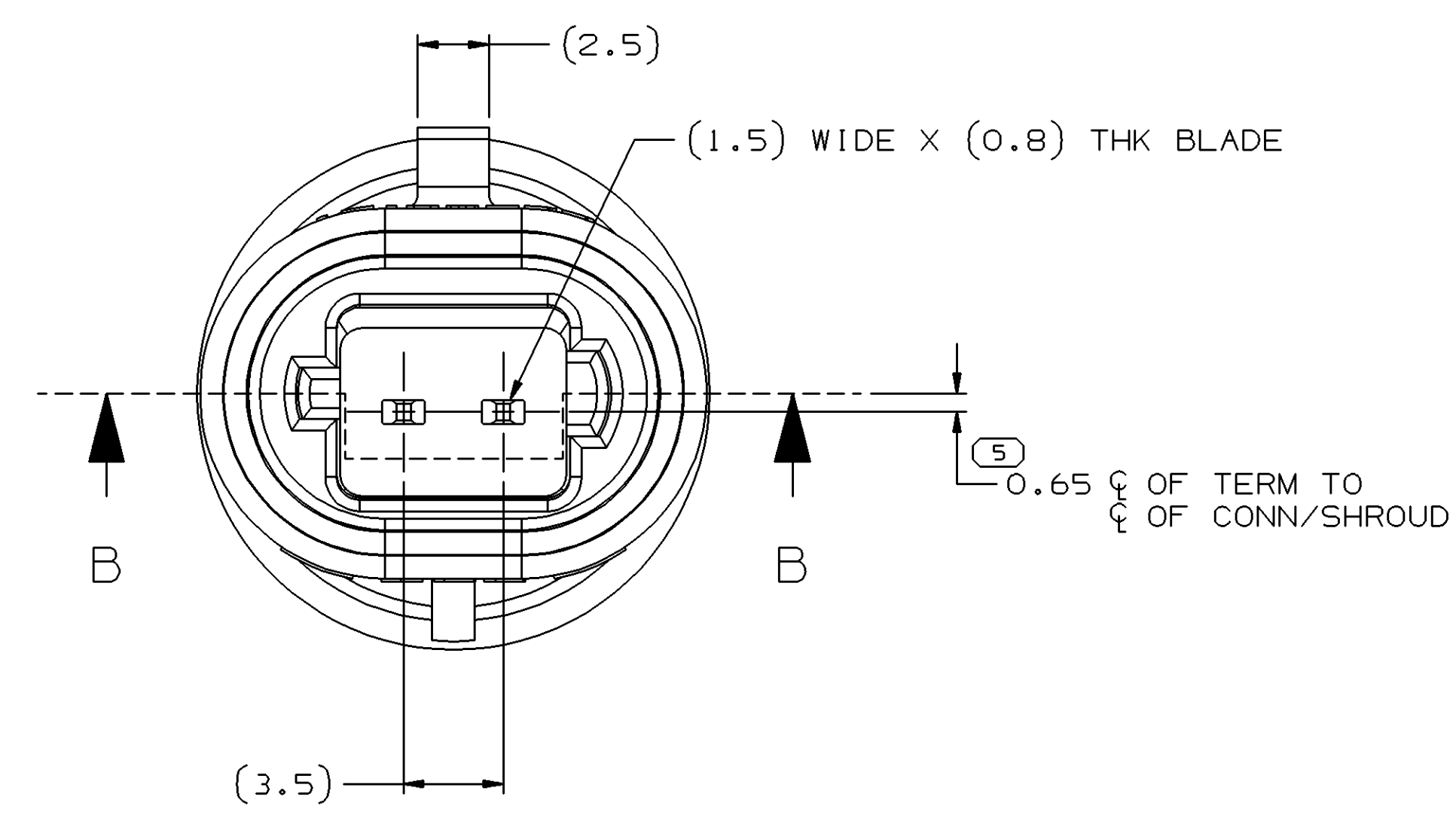
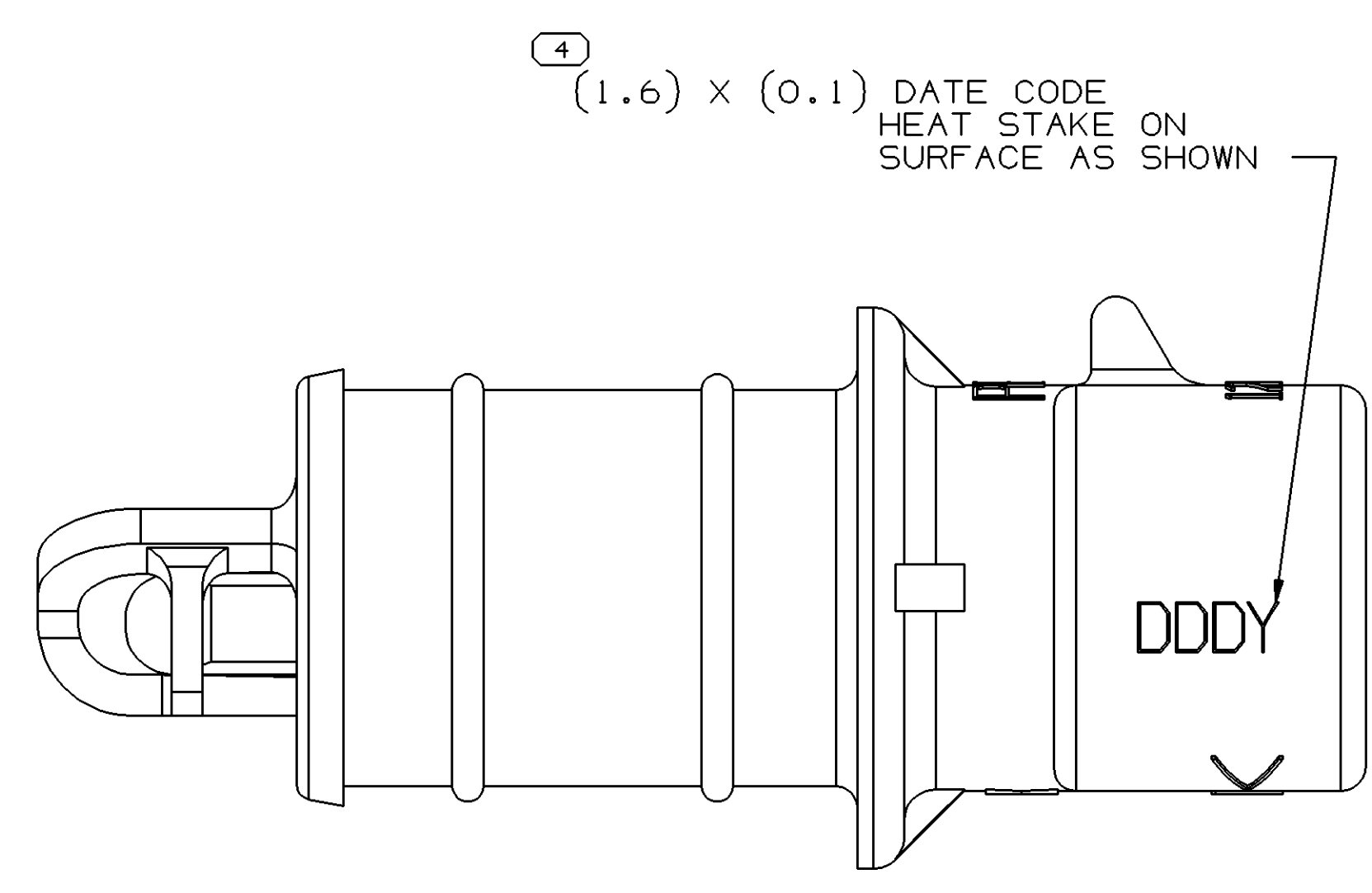
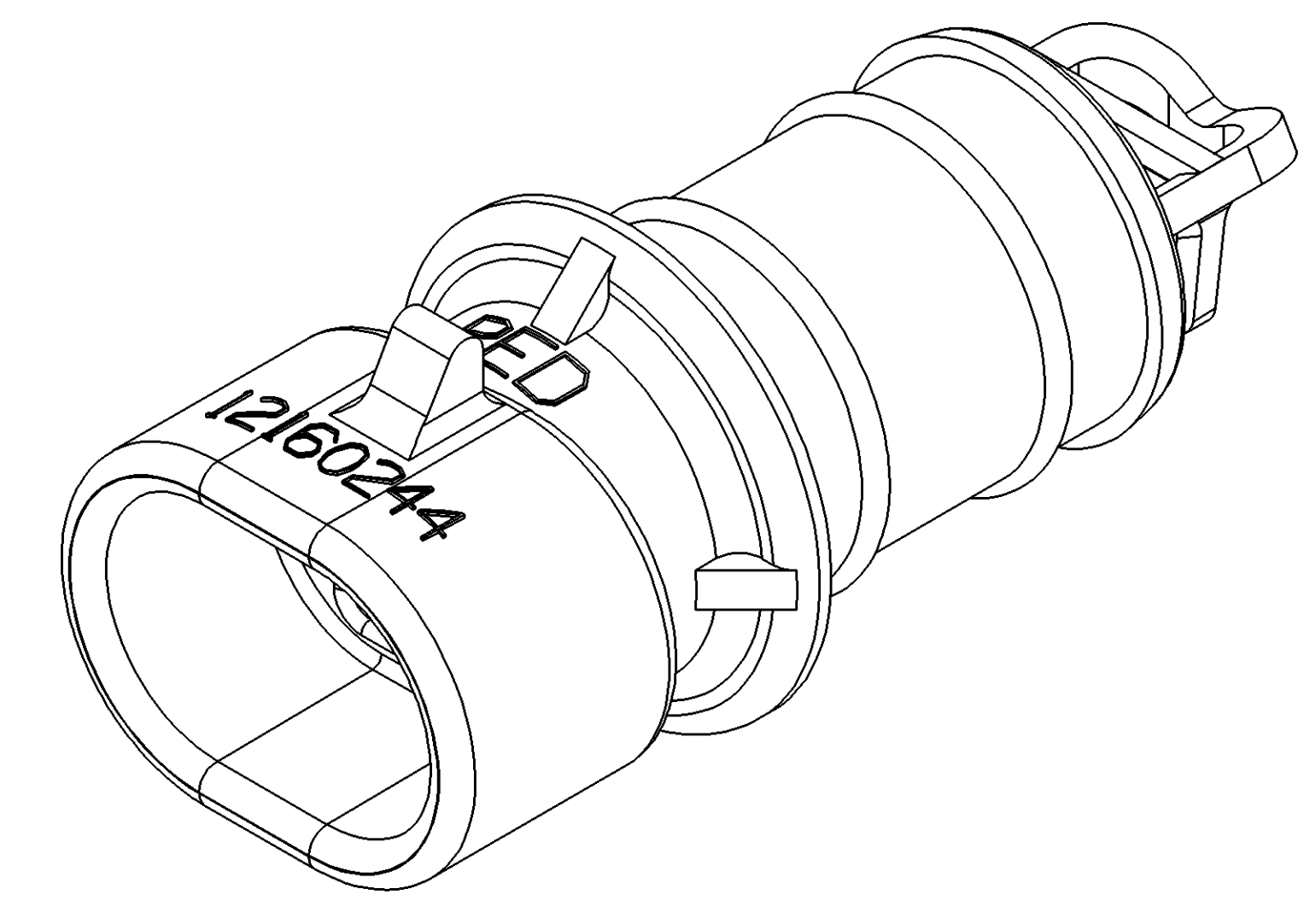
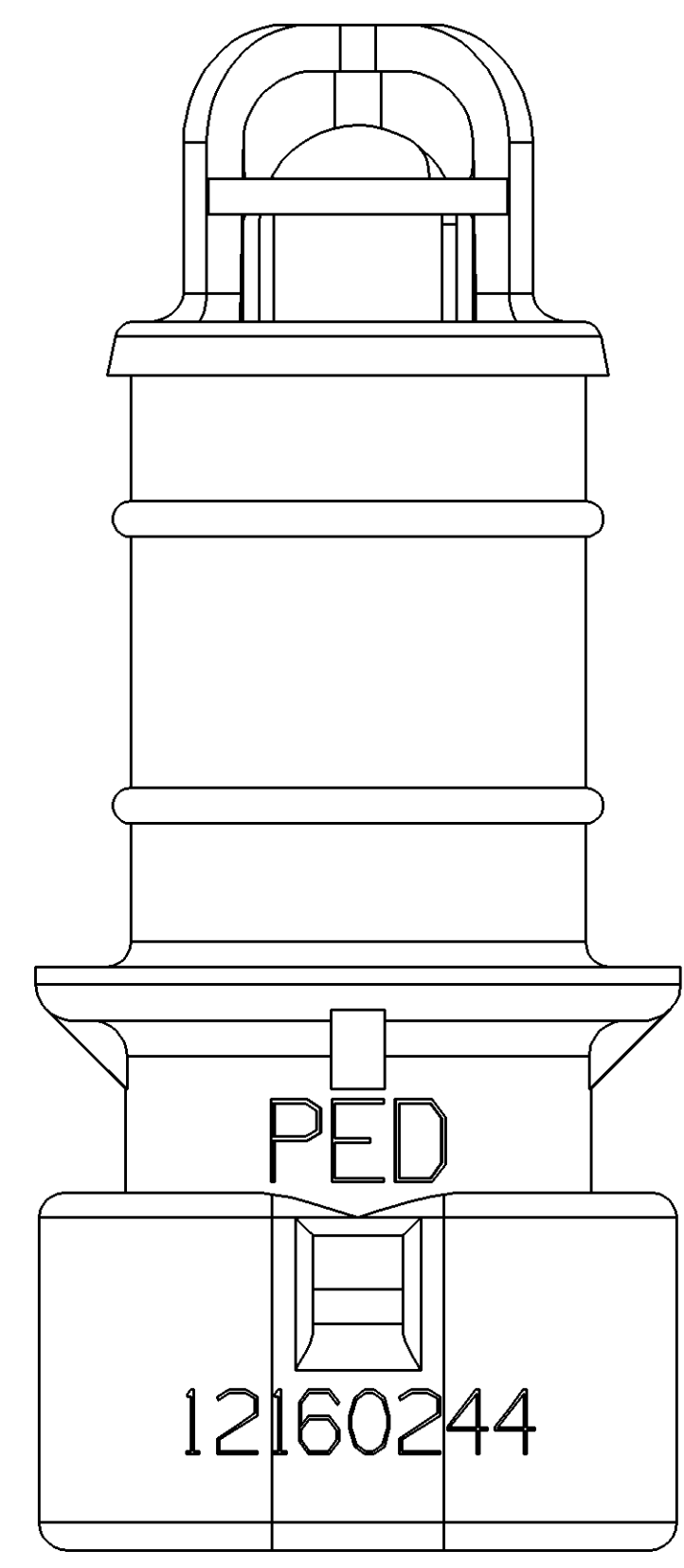


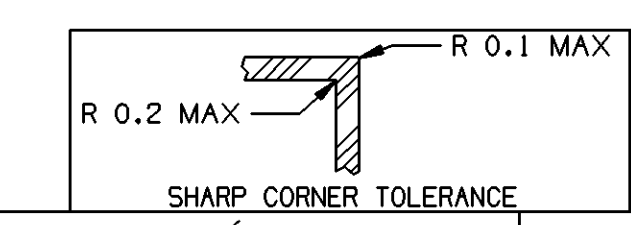
SYMBOL DEFINITION		MISSING NUMBERS	
A DIMENSION WITHOUT AN INSPECTION REPORT SYMBOL  DOES NOT REQUIRE INSPECTION. IT MAY BE CONTROLLED ON AN INDIVIDUAL COMPONENT DRAWING.	TOTAL NO. OF SYMBOLS ON DRAWING	5	
	LAST NO. USED	5	

DATE	STG	REV	W/P	CHG	ZONE	REVISION HISTORY	AUTH	DR	APVD	APV2
13JL94	R	01	-	-		PART RELEASED	950005	SJM	DME	DME
19MY97	R	01	AA	-		REVISED NOTE & RESISTANCE CHART	179513	EML	RPC	RPC
02DE97	R	01	AB	-		ADDED NOTE #4	184722	JHV	JHV	JHV
17SE98	R	01	AC	-		REVISED LOAD RESISTANCE CHART	198288	TMN	TMN	TMN
08DE00	R	02	-	-		REVISED OPENED TIP BIRD CAGE PER GMPT EWO # M8986	203924	END	END	MM
06FE01	R	02	AA	-		REVISED NOTE #4 FOR GMW3059	206698	DS	DS	DFW
18FE02	R	02	AB	-		REVISED MATING COMPONENTS NOTE	216214	HAM	HAM	TE
28FE02	R	03	-	-		PREMOLD RETENTION FEATURES ADDED; HEAT STAKE DATE CODE ADDED	224758	END	END	DFW
24MY02	R	03	AA	-		REVISED DRAWING NAME	225944	RH	RH	DFW
10JN02	R	03	AB	-		ADDED PART MASS TO NOTES	226614	RH	RH	DFW
11JN02	R	03	AC	-		E# #44864 PDS EWO # A.JGKD	226626	END	END	DFW
30AP03	R	03	AD	-		REVISED NOTE 2 FOR MATING COMPONENTS	240272	SS	SS	DFW

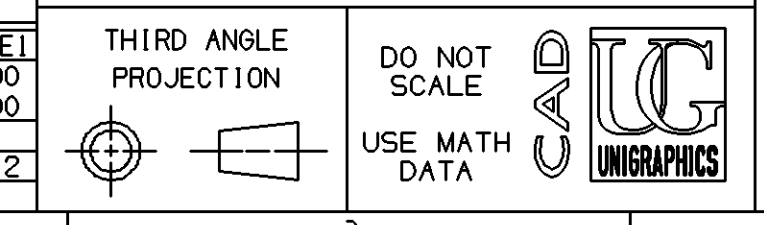


- NOTES:
- UNLESS OTHERWISE SPECIFIED AND/OR INDICATED: DIMENSIONS ARE TO FACE OF VIEW SHOWN AND AUTOMATICALLY ROUNDED BY COMPUTER FOR INSPECTION. (SEE MATH MODEL FOR PRECISE DIMENSION). FOR ALL OTHER DIMENSIONS NOT SHOWN, BUT REQUIRED FOR TOOL BUILD, SEE MATH MODEL FOR PRECISE TOOL PATH DATA.
 - MATING COMPONENTS: GT 15449027 OR M/P 12162199 OR EQUIVALENT
 - SEALING CODE 3
UNLESS OTHERWISE SPECIFIED
DESIGN WILL PASS SALT FOG AND IMMERSION TEST AFTER CONDITIONING AS SPECIFIED IN ESA-644 (WEATHER-PACK), ESA-710 (METRI-PACK), ESA-650 (UNDERHOOD MICRO-PACK), C-4006 (WORLD CONNECTOR), ETC. - WHEN MATED TO MATING PART OR EQUIVALENT
 - PART MASS: 0.0056 kg
 - RESTRICTED AND REPORTABLE SUBSTANCES FOR PARTS PER GMW3059.

TEMPERATURE (°C)	NO LOAD RESISTANCE (OHMS)
128	81.65 ± 2.9 REF
100	178.0 ± 4.7 REF



FROM	TO	DIMENSIONAL RANGE (MM)	CHART	ET
> 0	> 20	> 30	> 70	> 100
> 20	> 30	> 70	> 100	> 150
> 30	> 70	> 100	> 150	> 200
> 70	> 100	> 150	> 200	> 250
> 100	> 150	> 200	> 250	> 300
> 150	> 200	> 250	> 300	> 400



DELPHI
DELPHI PACKARD ELECTRIC SYSTEMS
WARREN, OH

OR	DATE
APVD1 S. MATUSCAK	13JL94
APVD2 D. ELLWOOD	14JL94
APVD3 J. HESTON	10AU94
APVD4	
APVD5	

THIS DOCUMENT IS IN ACCORDANCE WITH ASME Y14.5M-1994 AS AMENDED BY THE GW GLOBAL DIMENSIONING AND TOLERANCING ADDENDUM 1997. ALL DIMENSIONAL TOLERANCES AND RELATED DATUMS APPLY UNLESS OTHERWISE SPECIFIED. UNLESS OTHERWISE SPECIFIED, DIMENSIONS ARE TO FACE OF VIEW SHOWN AND AUTOMATICALLY ROUNDED BY COMPUTER FOR INSPECTION. (SEE MATH MODEL FOR PRECISE DIMENSION). FOR ALL OTHER DIMENSIONS NOT SHOWN, BUT REQUIRED FOR TOOL BUILD, SEE MATH MODEL FOR PRECISE TOOL PATH DATA.

UNLESS OTHERWISE SPECIFIED

DESIGN WILL PASS SALT FOG AND IMMERSION TEST AFTER CONDITIONING AS SPECIFIED IN ESA-644 (WEATHER-PACK), ESA-710 (METRI-PACK), ESA-650 (UNDERHOOD MICRO-PACK), C-4006 (WORLD CONNECTOR), ETC. - WHEN MATED TO MATING PART OR EQUIVALENT

PART MASS: 0.0056 kg

RESTRICTED AND REPORTABLE SUBSTANCES FOR PARTS PER GMW3059.

DRAWING NAME: ASM MISC SENSOR THERMISTOR BLK W17.80 H13.00 D18.
DRAWING NUMBER: 12160244

SIZE: A0 SCALE: 5:1 FRAME NO: 1 OF 1 SHEET NO: 1 OF 1 REV: N/P (R) 03 AD

X-ON Electronics

Largest Supplier of Electrical and Electronic Components

Click to view similar products for [Automotive Connectors](#) category:

Click to view products by [APTIV](#) manufacturer:

Other Similar products are found below :

[003-018-000](#) [60403001](#) [60993906-B](#) [629515004020001](#) [M902-2131](#) [M902-2161](#) [72.330.1035.1](#) [73.353.4028.0](#) [F119300-B](#) [F166900](#)
[F258300-B](#) [F358300-B](#) [F407400](#) [F444110](#) [F487000](#) [F509500B-B](#) [827153-1](#) [8N1515-32-24P](#) [9-1326729-8](#) [925474-1](#) [928905-1](#) [964562-4](#)
[968782-1](#) [GT17SA-8DS-HU](#) [98891-1012](#) [98947-1016](#) [12004475-L](#) [12010290](#) [12010309-B](#) [12015454](#) [12020219-B](#) [12020308](#) [12041318-B](#)
[12052225-L](#) [12052466](#) [12059125](#) [12064869](#) [12004327-B](#) [12010503-B](#) [12015308](#) [12015384](#) [12015909](#) [1-21030-1](#) [12041254](#) [12041318](#)
[12047946-B](#) [12047957](#) [12047957-L](#) [12059473](#) [12066261](#)