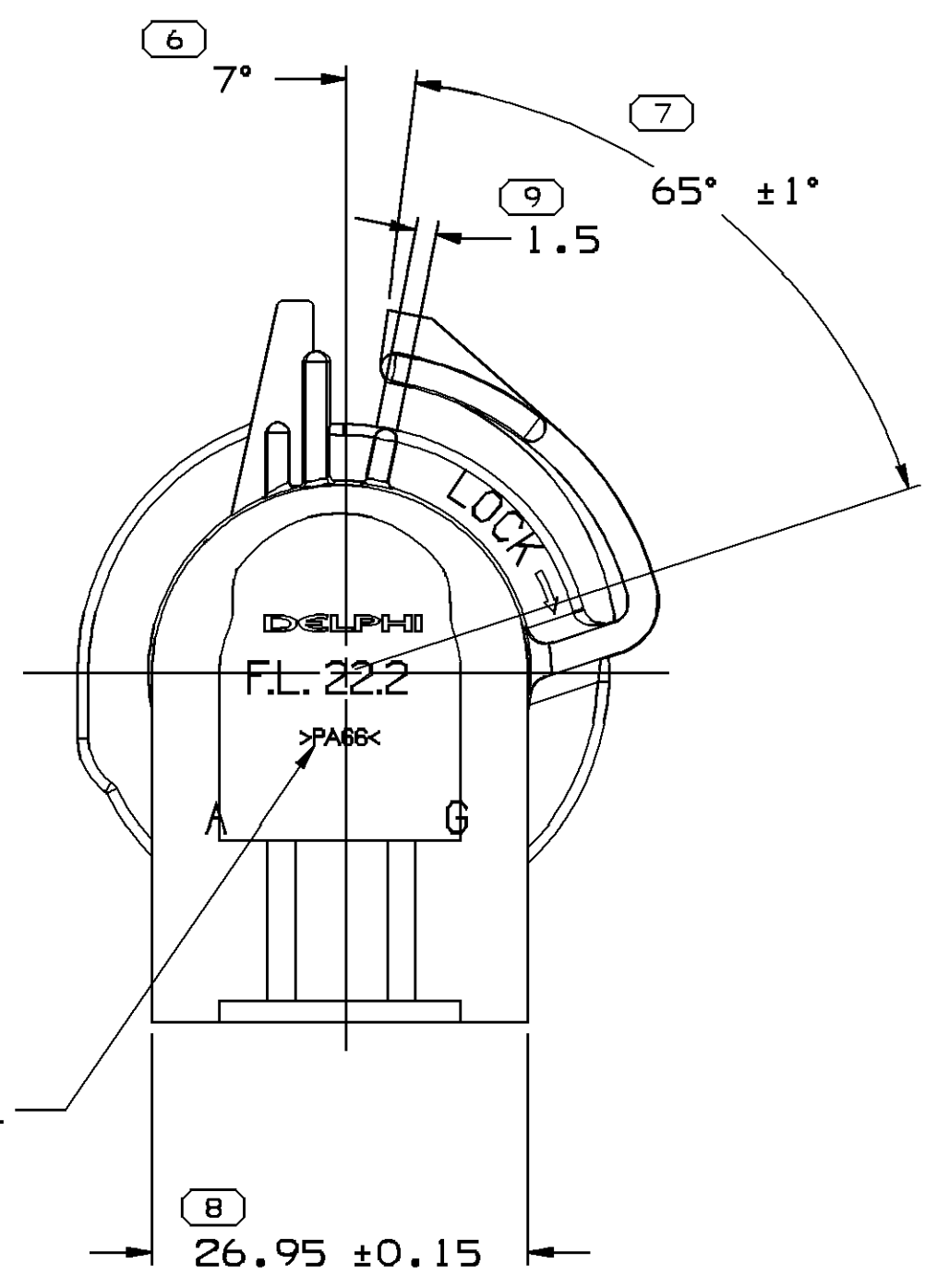
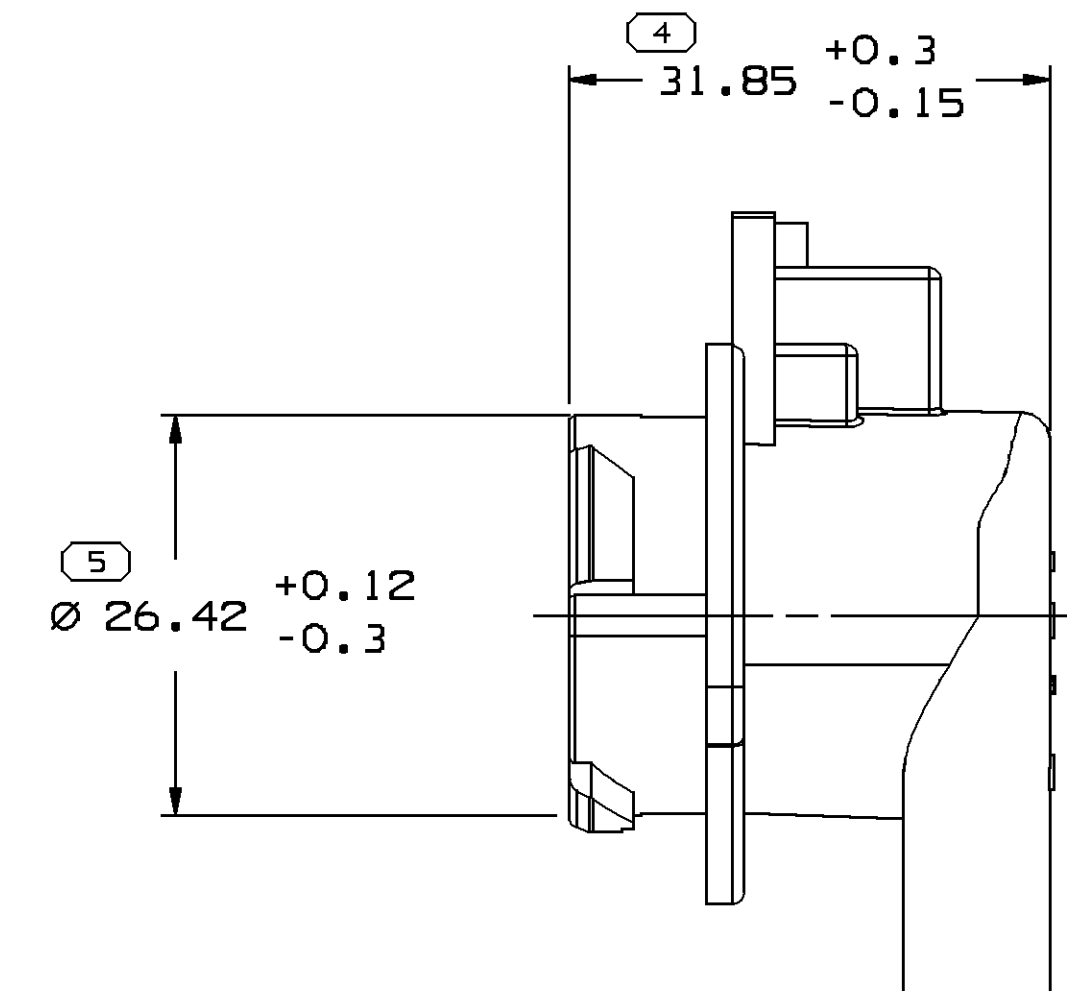
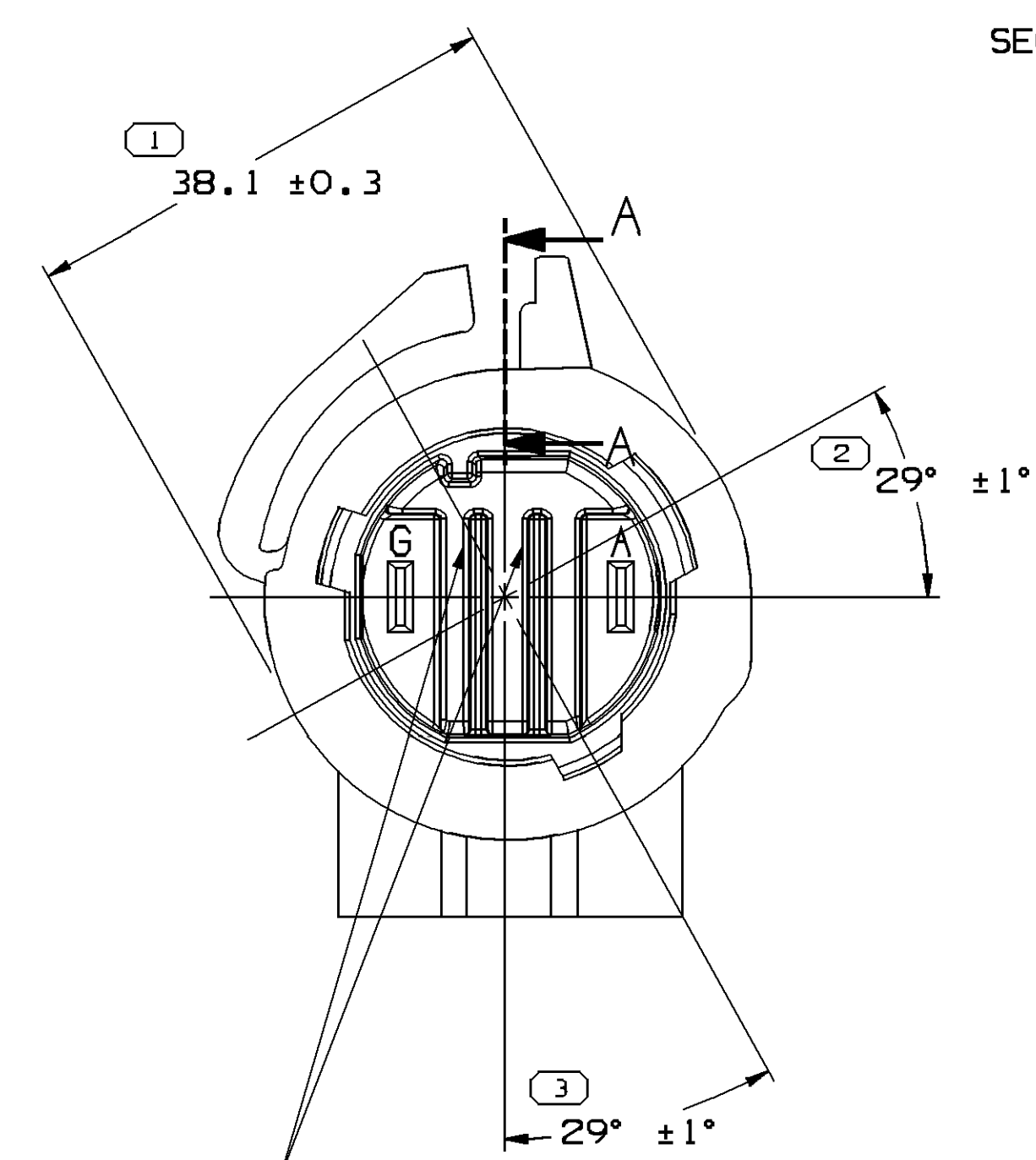
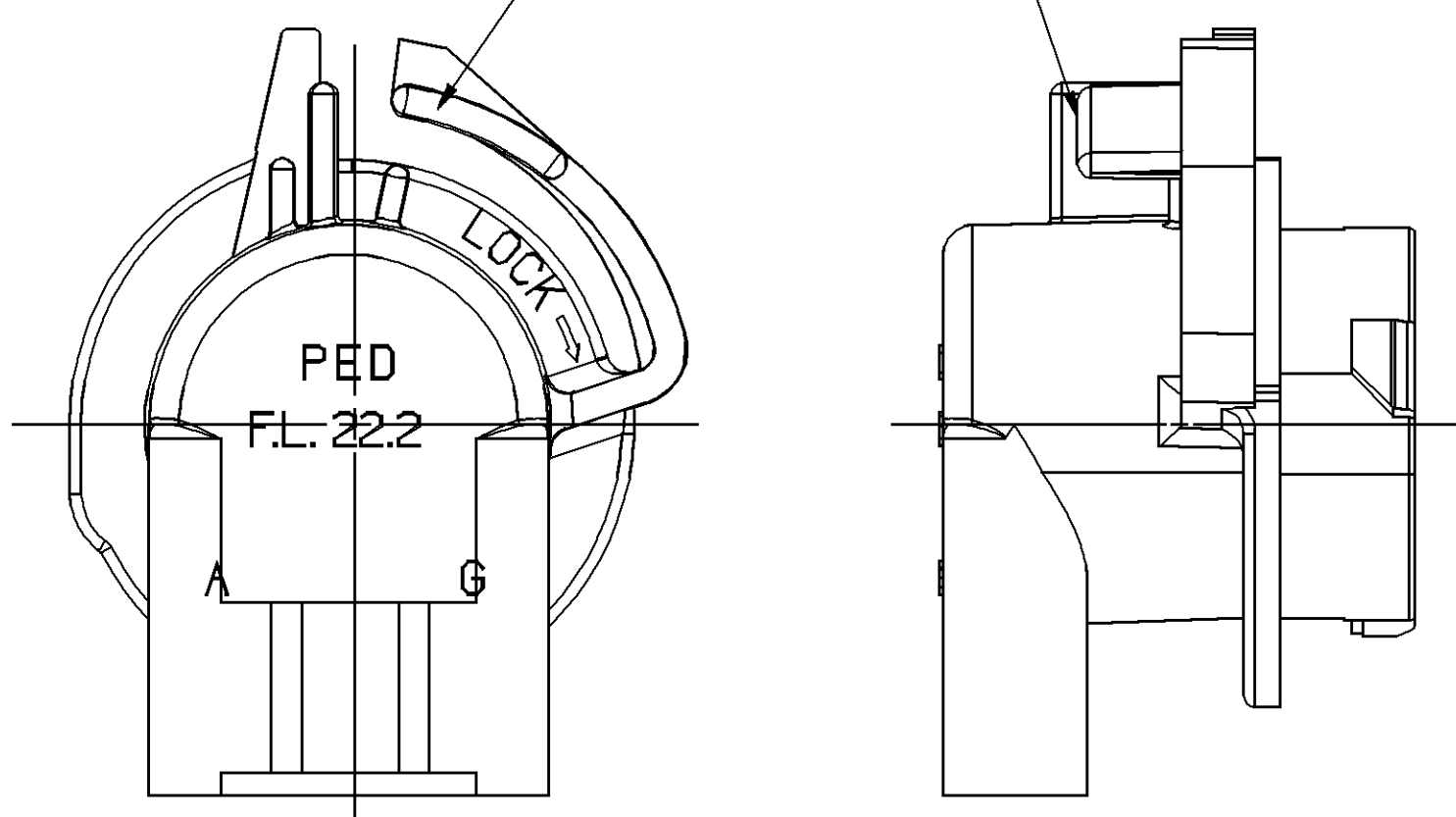


SECTION A - A



MATERIAL RECYCLING CODE OPTIONAL

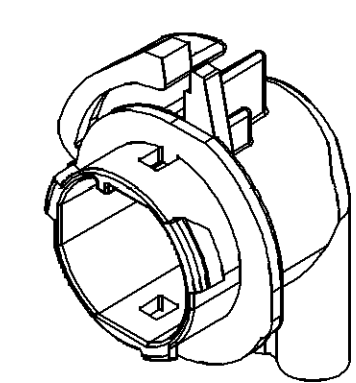
NFO, FLOW LINES, AND BURN MARKS PERMISSIBLE ON RIBS AND ON TOP EDGE OF LOCK ARM.



OPTIONAL CONSTRUCTION

NOTES

- UNLESS OTHERWISE SPECIFIED AND/OR INDICATED:
DIMENSIONS ARE TO FACE OF VIEW SHOWN AND AUTOMATICALLY ROUNDED BY COMPUTER FOR INSPECTION (SEE MATH MODEL FOR PRECISE DIMENSIONS). FOR ALL OTHER DIMENSIONS NOT SHOWN BUT REQUIRED FOR TOOL BUILD, SEE MATH MODEL FOR PRECISE TOOL PATH DATA.
- THIS PART IS NOT CONTROLLED FOR AUTOMATIC FEEDING.
- TOOL CAVITY IDENTIFICATION SHOULD BE LOCATED NEAR THE GATE
- MATERIAL RECYCLING CODE PER ISO 11469. (2.3)X(0.25) RAISED CHARACTERS AS SHOWN TO BE LOCATED ON ANY EXTERIOR SURFACE. OPTIONAL CONSTRUCTION TO BE NO MATERIAL RECYCLING CODE.
- (2.3)X(0.25) RAISED DELPHI CORPORATE BRAND TO BE LOCATED ON ANY EXTERIOR SURFACE, PREFERABLY VISIBLE AT FINAL ASSEMBLY. OPTIONAL CONSTRUCTION TO BE "PED" OR NO LOGO.
- THIS PRODUCT IS NOT CATEGORIZED AS AN APPEARANCE ITEM, MINOR IMPERFECTIONS INCLUDING, BUT NOT LIMITED TO, FLOW MARKS, COLOR BLEMISHES, GATE VESTIGE, AND SOFT FLASH THAT DO NOT AFFECT THE FIT, FORM, OR FUNCTION OF THE PART ARE PERMISSIBLE PER NAP 4.10-18.
- FOR APPLICATION DATA SEE THE INDIVIDUAL APPLICATION DRAWINGS.



SYMBOL DEFINITION		MISSING NUMBERS	
A DIMENSION WITHOUT AN INSPECTION REPORT SYMBOL DOES NOT REQUIRE INSPECTION. IT MAY BE CONTROLLED ON AN INDIVIDUAL COMPONENT DRAWING.	TOTAL NO. OF SYMBOLS ON DRAWING	12	
	LAST NO. USED	12	

DWG STATUS				ZONE	REVISION HISTORY	AUTH	DR	APVD1	APVD2
DATE	STG	REV	N/P						
02AP02	R	02	-	-	ALL PARTS - ADDED RIBS (2 PLCS) & REVISED MAT'L SPEC	223135	RVP	RVP	AL
23AP02	R	03	-	-	ALL PARTS - DIM 1.88 WAS 1.25	224281	RVP	RVP	AL
26JL02	R	04	-	-	ALL PARTS - UPDATED PDM ATTRIBUTES & ADDED OPTIONAL CONSTRUCTION	227849	RVP	RVP	AL
15AU03	R	05	-	-	ALL PARTS - REVISED REV LEVEL	244818	RCH	OGG	FR
28MY04	R	06	-	-	ALL PARTS - ADDED MINOR DEFECT CALLOUT	255246	ADK	ADK	MEF
09MY05	R	07	-	-	ALL PARTS - UPDATED PDM ATTRIBUTES	267661	RTV	JAA	MEF
24MR08	R	08	-	-	ALL PARTS - ADDED APPLICATION DATA NOTE, APPEARANCE ITEM NOTE & RECYCLING CODE LABEL, REMOVED MATING COMPONENTS NOTE, PART ACCEPTS NOTE, CABLE SEAL NOTE, REFER ASSEMBLY NOTE & LOCK ARM NOTE, AND REVISED MAT'L CALLOUT TO GENERIC CALLOUT	403849	LVR	JAA	JGS

PART NO	REV	N/P	STATUS	MATERIAL SPECIFICATION AND COLOR	VOL CM ³
15324350	02	AF	-	POLYAMIDE COMPOUND BLACK	9.960
12160393	07	AF	-	POLYAMIDE COMPOUND GRAY	9.960

DIMENSIONAL RANGE (MM)		CHART ET	
FROM	> 0	> 20	> 30
TO	20	30	70
		100	150
		200	250
		300	400
TOLERANCE UNLESS OTHERWISE SPECIFIED			
±0.15		±0.2	±0.3
		±0.4	±0.5
		±0.6	±0.8
		±1	±1.2
ANGULAR TOLERANCE ±2°			

DWG TYPE: PART DRAWING

STYLE: SEE CHART

DISTR CODE: D

UNLESS OTHERWISE SPECIFIED
THIS DOCUMENT IS IN ACCORDANCE WITH ASME Y14.5M-1994 AS AMENDED BY THE 0M GLOBAL DIMENSIONING AND TOLERANCING ADDENDUM - 1997. ALL GEOMETRIC TOLERANCES AND RELATED DATUMS APPLY RFS. RULE #1 (PERFECT FORM AT MM) DOES NOT APPLY WHEN RELATIONSHIP BETWEEN FEATURES IS ESTABLISHED BY ORIENTATION OR LOCATION TOLERANCES. SEPARATE POSITION CALLOUTS MAY BE GAGED SEPARATELY, REGARDLESS OF DATUM REFERENCE. ALL DIMENSIONS ARE IN MILLIMETERS

THIRD ANGLE PROJECTION

DO NOT SCALE

USE MATH DATA

NX

DELPHI
DELPHI PACKARD ELECTRICAL/ELECTRONIC ARCHITECTURE
WARREN, OH

DR	DATE
APVD1 C. MOLINA	26MR98
APVD2 C. MOLINA	26MR98
APVD3 C. MIRANDA	26MR98
APVD4	
APVD5	

SUBSTANCES OF CONCERN AND RECYCLED CONTENT PER DELPHI-A 10949001

MATERIAL: SEE DWG

DRAWING NAME: TAXI CONN F LP SOC WEDGE SLD W3

DRAWING NUMBER: 15324353

SIZE	SCALE	FRAME NO	SHEET NO	STG	REV	N/P
A1	2:1	1 OF 1	1 OF 1	R	08	-

X-ON Electronics

Largest Supplier of Electrical and Electronic Components

Click to view similar products for [Automotive Connectors](#) category:

Click to view products by [APTIV](#) manufacturer:

Other Similar products are found below :

[003-018-000](#) [60993906-B](#) [M902-2161](#) [M902-2344](#) [72.330.1035.1](#) [73.353.4028.0](#) [F166900](#) [F358300-B](#) [F407400](#) [776880-1](#) [827153-1](#)
[8N1515-32-24P](#) [9-1326729-8](#) [925474-1](#) [928905-1](#) [964562-4](#) [968782-1](#) [98891-1012](#) [12004475-L](#) [12041318-B](#) [12052466](#) [12064869](#)
[12015909](#) [1-21030-1](#) [12041318](#) [12047946-B](#) [12047957](#) [12110546-B](#) [12131792](#) [12092346](#) [HD34-18-14PT](#) [HD46-24-23SN-059](#)
[HDB36-24-16PN-059](#) [12185550](#) [12147304](#) [13681974](#) [13755420](#) [13783086](#) [13830674](#) [13832576](#) [13542772](#) [1393425-2](#) [13964573](#) [13846842](#)
[13869383](#) [13873308](#) [13953995](#) [1428188-1](#) [1437287-3](#) [1438231-5](#)