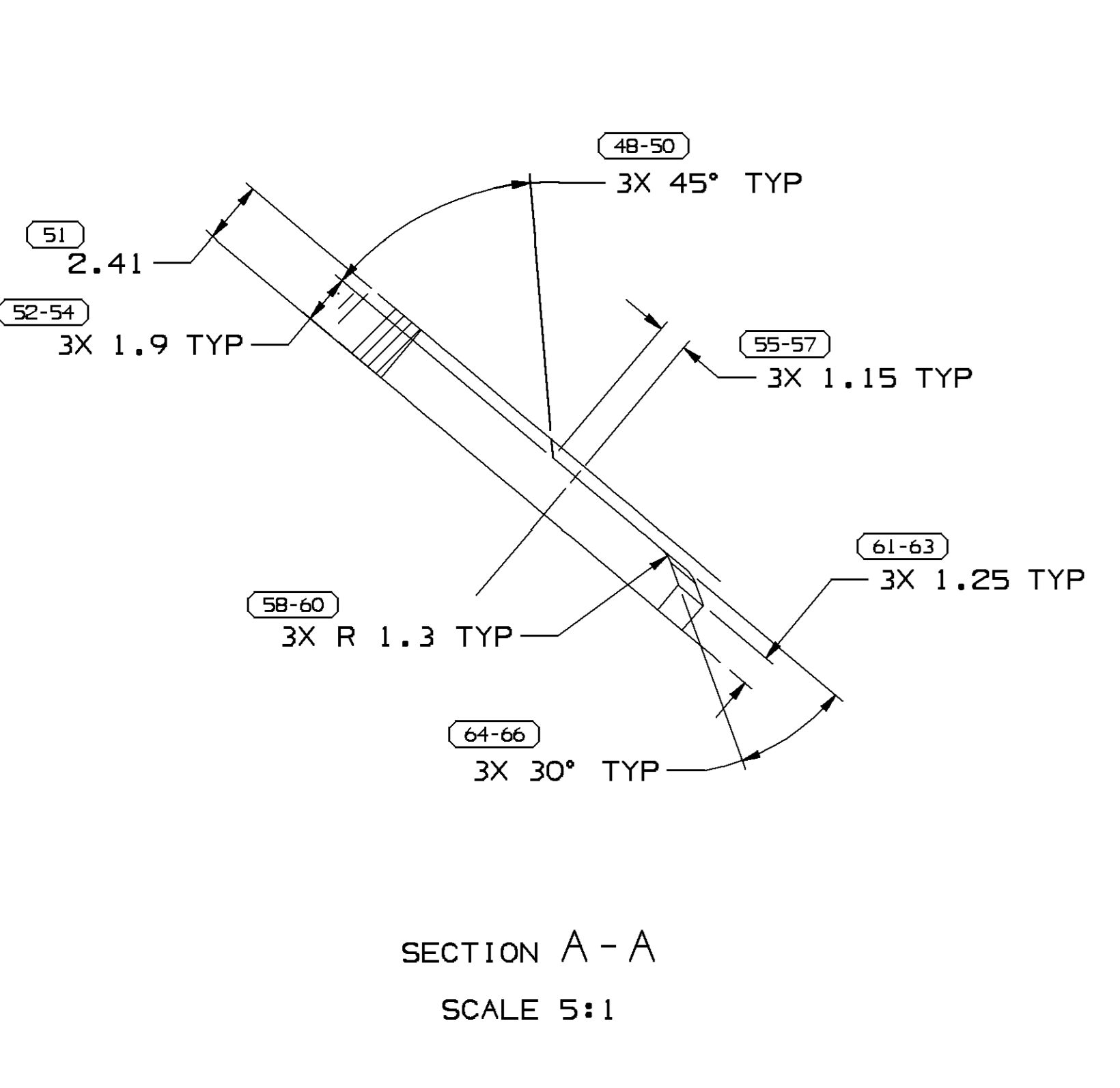


DATE	STG	REV	N/P	CHG	ZONE	REVISION HISTORY	AUTH	DR	AP/VD	AP/VD 2
02AP02	R	05	-	-	-	ALL ACTIVE PARTS - ADDED RIBS (2 PLCS) & REVISED MAT'L SPEC	223135	RVP	RVP	AL
23AP02	R	06	-	-	-	ALL ACTIVE PARTS - DIM 1.88 WAS 1.25	224281	RVP	RVP	AL
09JA03	R	07	-	-	-	ALL ACTIVE PARTS - DIM 1.5 +0.15/-0.31 WAS 1.5 & DIM 26.15 +0.5/-0.64 WAS 26.15 ±0.5	235293	AFM	EVO	AL
02AP03	R	08	-	-	-	ALL ACTIVE PARTS - Ø 26.42 +0.15/-0.28 WAS Ø 26.42 ±0.15	239178	EVO	EVO	FR
30AP03	R	09	-	-	-	15354681 - REACTIVATED	240299	EES	EES	MEF
09M05	R	10	-	-	-	ALL PARTS - 26.15 +/-0.5 WAS 26.15 +0.5/-0.64 AND ADDED 25.1 MIN ALLOWABLE NOTE	267661	RTV	JAA	MEF
26DE06	R	11	-	-	-	15324085 - OBSOLETE	288192	RM0	FR0	061



PART NO	REV	N/P	STATUS	MATERIAL SPECIFICATION AND COLOR	MAT'L REC CODE	INSERT ASM P/N	INSERT COLOR	VOL CM³
15354865	03	AD		M4695001 PBT NAT	PBT	15354683	GRA	9.817
15354681	02	AA		M2965002 PPA IM-BLK	PPA	15354683	GRA	9.817
15324085	03	AE	OBSOLETE	M3592002 PA66 HS IM NAT	PA66	12177163	BETGE	9.817
12186254	04	AD		M3592001 PA66 HS IM BLK	PA66	12186433	BLK	9.817
12160395	06	AD		M3592025 PA66 HS IM GRA MD	PA66	12177163	BETGE	9.817

DIMENSIONAL RANGE (MM)	TOLERANCE UNLESS OTHERWISE SPECIFIED
FROM > 0 TO > 20	±0.25
> 20 TO > 30	±0.30
> 30 TO > 70	±0.40
> 70 TO > 100	±0.50
> 100 TO > 200	±0.60
> 200 TO > 300	±0.70
> 300 TO > 400	±0.80

DELPHI
DELPHI PACKARD ELECTRIC SYSTEMS
WARREN, OH

DATE: 31-Jan-07, Time: 17:08

DR: J. ALVARADO, DATE: 29FEO0
M. VEGA, DATE: 29FEO0
M. FRANCIS, DATE: 02MRO0

SEE DRAWING

DRAWING NAME: TAXI CONN F LP SOC WEDGE SLD W3

DRAWING NUMBER: 12186257

SCALE: 2:1, SHEET NO: 1 OF 1, REV: 1

X-ON Electronics

Largest Supplier of Electrical and Electronic Components

Click to view similar products for [Automotive Connectors](#) category:

Click to view products by [APTIV](#) manufacturer:

Other Similar products are found below :

[003-018-000](#) [60403001](#) [60993906-B](#) [629515004020001](#) [M902-2131](#) [M902-2161](#) [72.330.1035.1](#) [73.353.4028.0](#) [F119300-B](#) [F166900](#)
[F258300-B](#) [F358300-B](#) [F407400](#) [F444110](#) [F487000](#) [F509500B-B](#) [827153-1](#) [8N1515-32-24P](#) [9-1326729-8](#) [925474-1](#) [928905-1](#) [964562-4](#)
[968782-1](#) [GT17SA-8DS-HU](#) [98891-1012](#) [98947-1016](#) [12004475-L](#) [12010290](#) [12010309-B](#) [12015454](#) [12020219-B](#) [12020308](#) [12041318-B](#)
[12052225-L](#) [12052466](#) [12059125](#) [12064869](#) [12004327-B](#) [12010503-B](#) [12015308](#) [12015384](#) [12015909](#) [1-21030-1](#) [12041254](#) [12041318](#)
[12047946-B](#) [12047957](#) [12047957-L](#) [12059473](#) [12066261](#)