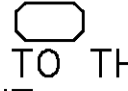
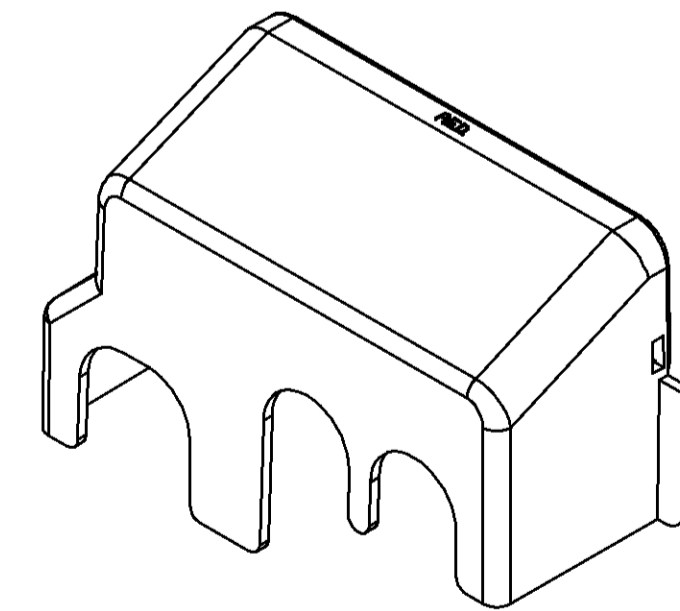
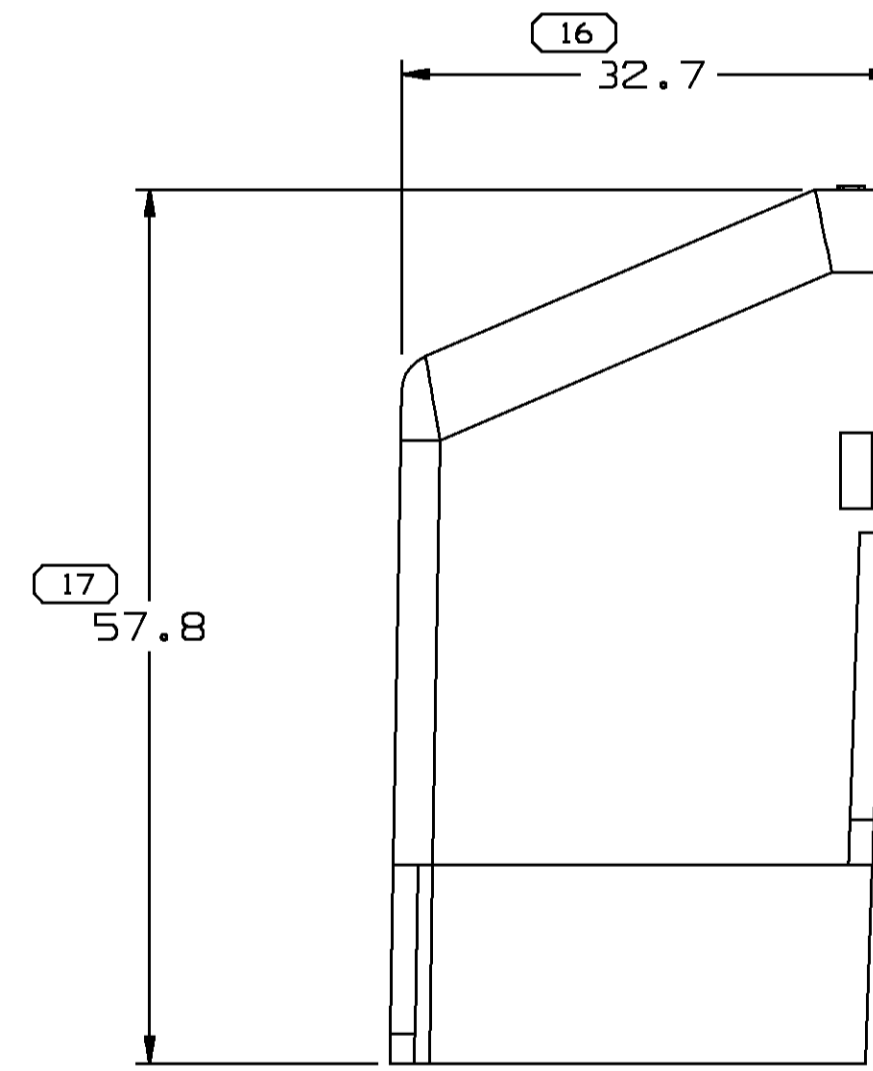
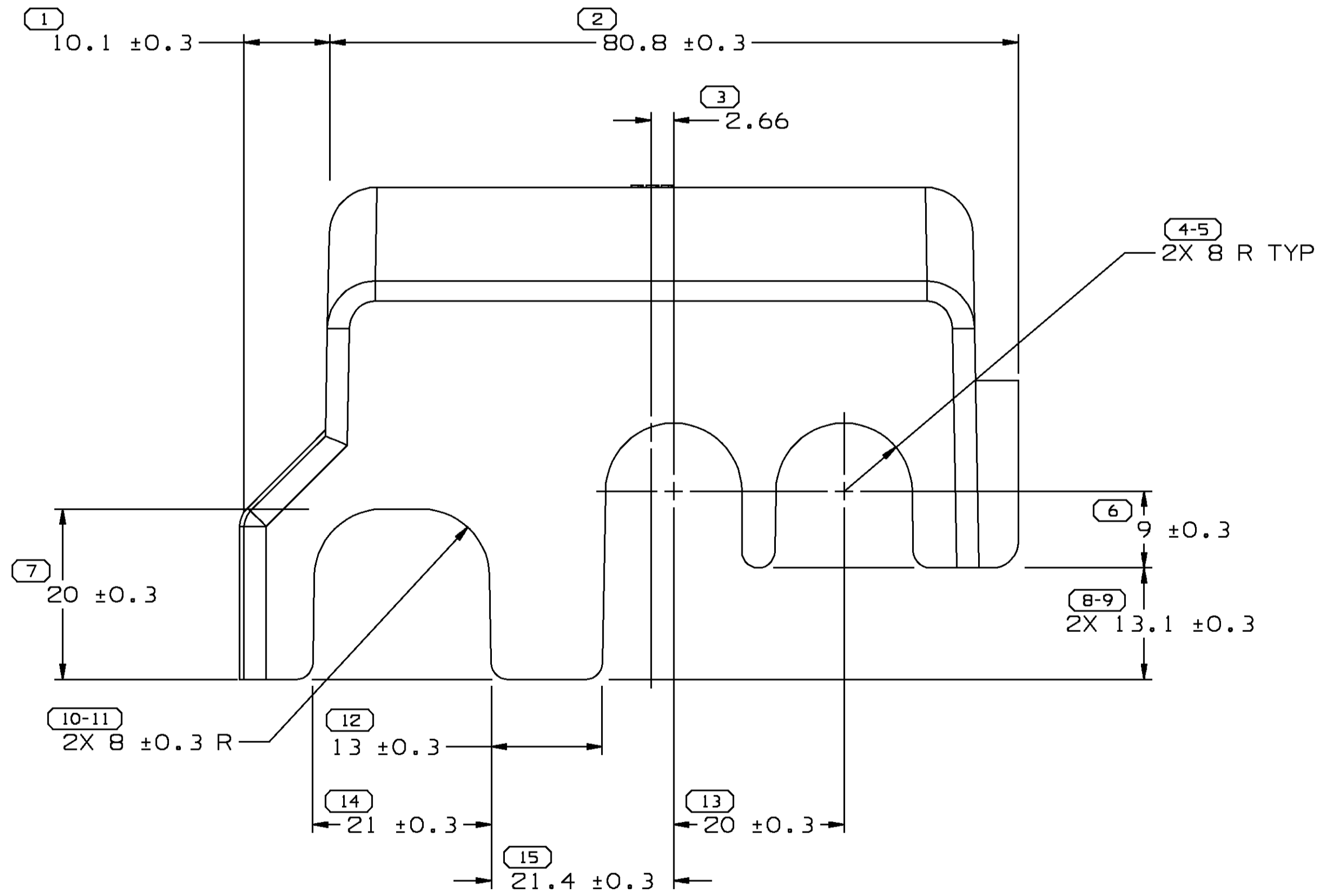
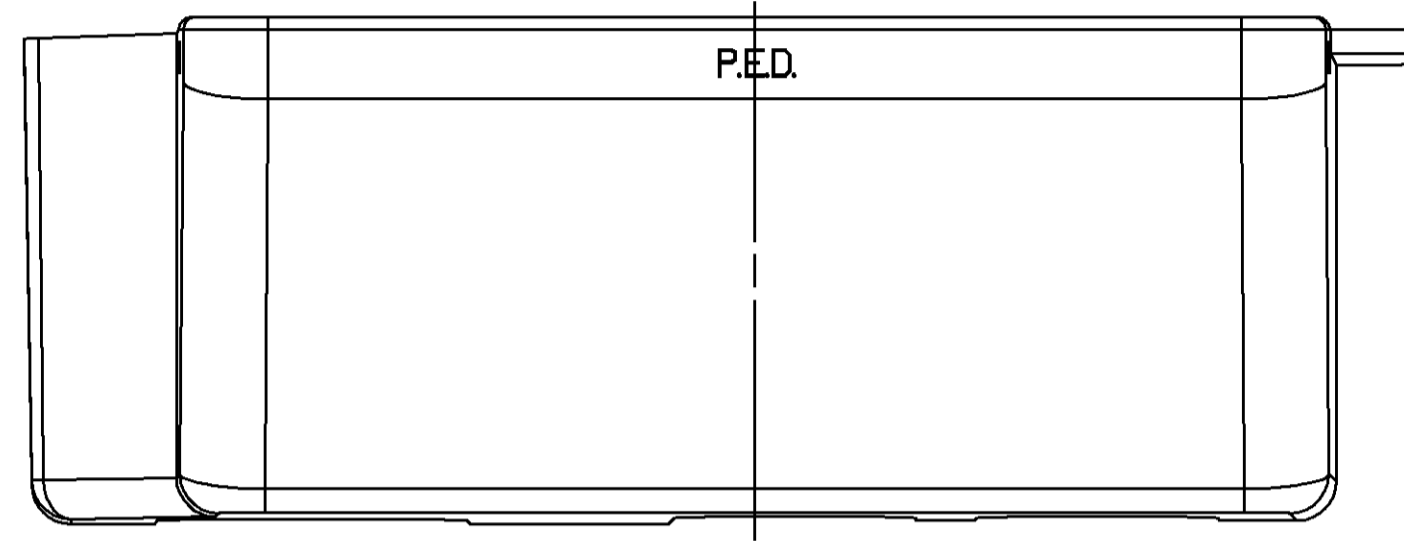


PART NO  
1216 0765

SYMBOL DEFINITION		MISSING NUMBERS		DATE	SYM	REVISION RECORD	AUTH	DR	CK
THE NUMBER INSIDE THE SYMBOL  CORRESPONDS TO THE NUMBER ON THE INSPECTION REPORT FOR THIS DRAWING/PART NUMBER	TOTAL NO. OF SYMBOLS ON DRAWING	14		13JL99	A3	REDRAWN TO PD	990009	E	ARCMP
	LAST NO. USED	17							


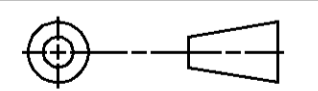


PART NO  
1216 0765

NOTES

- UNLESS OTHERWISE SPECIFIED AND/OR INDICATED: DIMENSIONS ARE TO FACE OF VIEW SHOWN AND AUTOMATICALLY ROUNDED BY COMPUTER FOR INSPECTION. (SEE MATH MODEL FOR PRECISE DIMENSIONS.) FOR ALL OTHER DIMENSIONS NOT SHOWN BUT REQUIRED FOR TOOL BUILD, SEE MATH MODEL FOR PRECISE TOOL PATH DATA.
- MATING COMPONENTS OR EQUIVALENT: COVER 12146282

2 PROCESS SENSITIVE DIMENSION	
DIMENSIONS ENCLOSED IN ( ) INDICATE REFERENCE DIMENSIONS AND NO TOLERANCE LIMITS ARE ESTABLISHED	
DIMENSIONAL RANGE	
FROM	TO
0	> 20
> 20	> 30
> 30	> 70
> 70	> 100
TOLERANCE UNLESS OTHERWISE SPECIFIED	
±0.15   ±0.2   ±0.3   ±0.4   ±0.5	
ANGULAR TOLERANCE ± 2°	

PART DRAWING		
		THIRD ANGLE PROJECTION 
CODE NO 6901	QC -R-4017	METRIC DIMENSIONS ARE IN MILLIMETERS UNLESS OTHERWISE SPECIFIED
DWG DATE 17MY94	SCALE 2:1	DES J. JABLONSKI 09MY92
REFERENCE NO 001,701		DR F.D. SILVIO 17MY94 CK F.D. SILVIO 17MY94 APPR G. DETTER 19MY94 VOL CM <sup>3</sup> 12.794
MATERIAL SPEC PM002097-001 PP IM-BLK		NAME COVER ELEC CTR U/H
PART NUMBER 1216 0765		SIZE A1

## X-ON Electronics

Largest Supplier of Electrical and Electronic Components

*Click to view similar products for [Automotive Connectors](#) category:*

*Click to view products by [APTIV](#) manufacturer:*

Other Similar products are found below :

[003-018-000](#) [60403001](#) [60993906-B](#) [629515004020001](#) [M902-2131](#) [M902-2161](#) [72.330.1035.1](#) [73.353.4028.0](#) [F119300-B](#) [F166900](#)  
[F258300-B](#) [F358300-B](#) [F407400](#) [F444110](#) [F487000](#) [F509500B-B](#) [827153-1](#) [8N1515-32-24P](#) [9-1326729-8](#) [925474-1](#) [928905-1](#) [964562-4](#)  
[968782-1](#) [GT17SA-8DS-HU](#) [98891-1012](#) [98947-1016](#) [12004475-L](#) [12010290](#) [12010309-B](#) [12015454](#) [12020219-B](#) [12020308](#) [12041318-B](#)  
[12052225-L](#) [12052466](#) [12059125](#) [12064869](#) [12004327-B](#) [12010503-B](#) [12015308](#) [12015384](#) [12015909](#) [1-21030-1](#) [12041254](#) [12041318](#)  
[12047946-B](#) [12047957](#) [12047957-L](#) [12059473](#) [12066261](#)