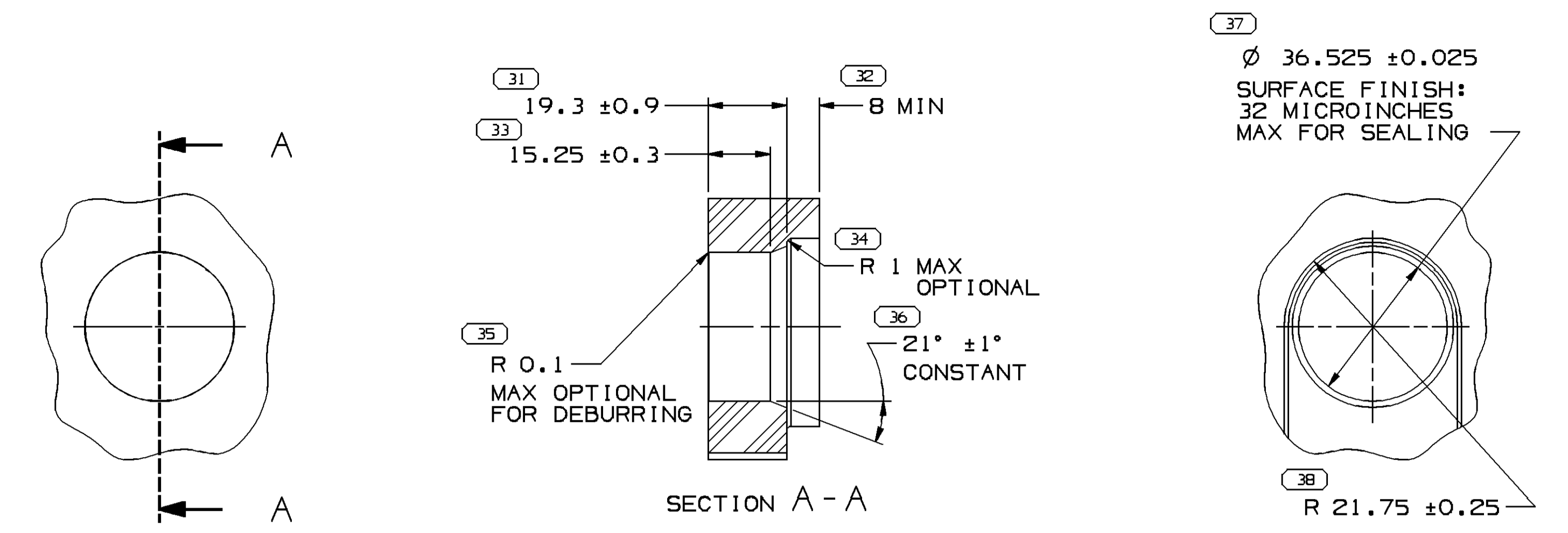
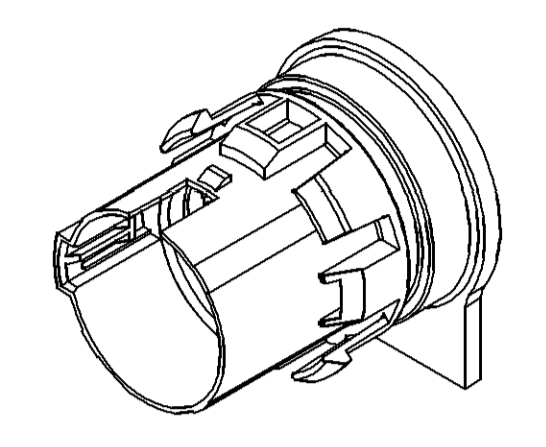


KEY PRODUCT CHARACTERISTIC SYMBOLS (⊙, ⊚) INDICATE PRODUCT CHARACTERISTICS THAT REQUIRE SPECIAL CARE, DOCUMENTATION, AND ACCEPTANCE CRITERIA PER GM 1805 QN AND DELPHI PACKARD ELECTRIC SYSTEMS PROCEDURES.

KEY PRODUCT CHARACTERISTICS	
⊙ SAFETY/COMPLIANCE	◇ FIT/FUNCTION
TOTAL ON DRAWING	1
LAST NUMBER USED	1

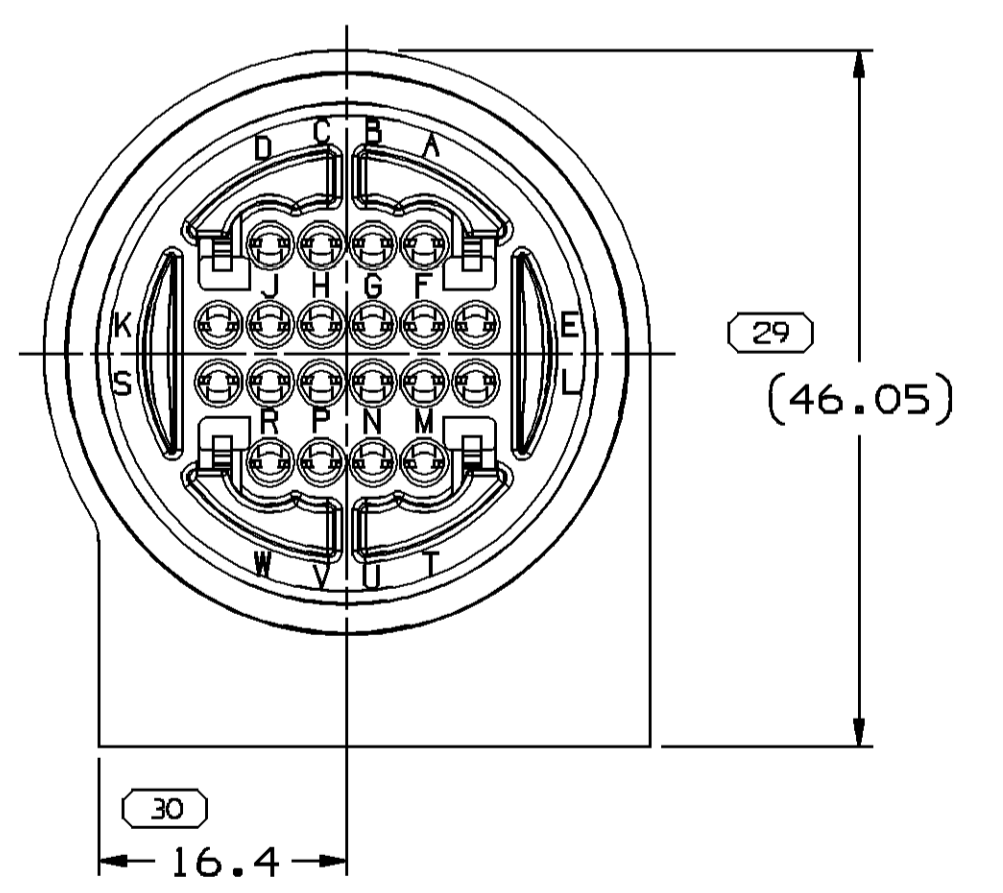
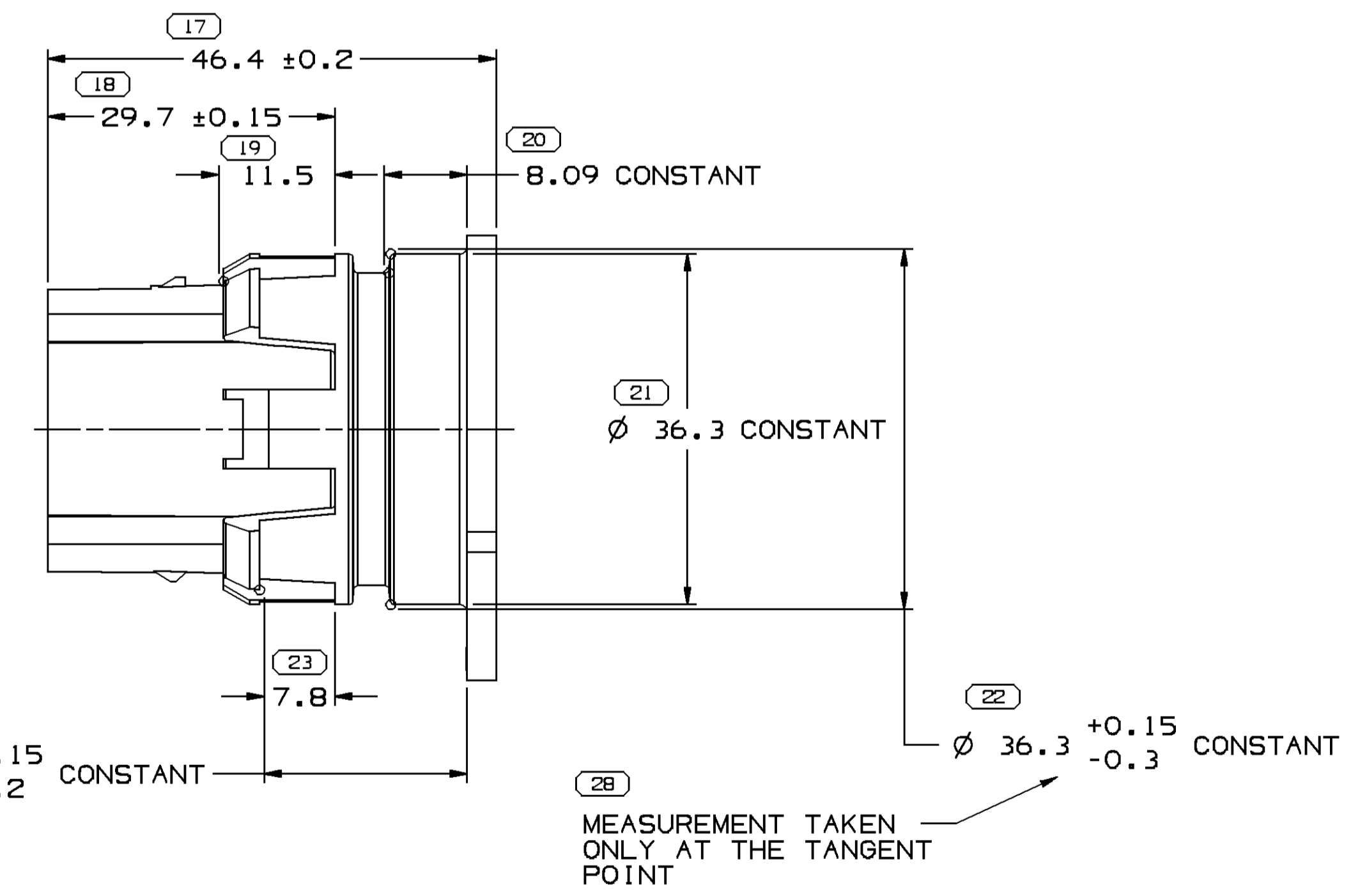
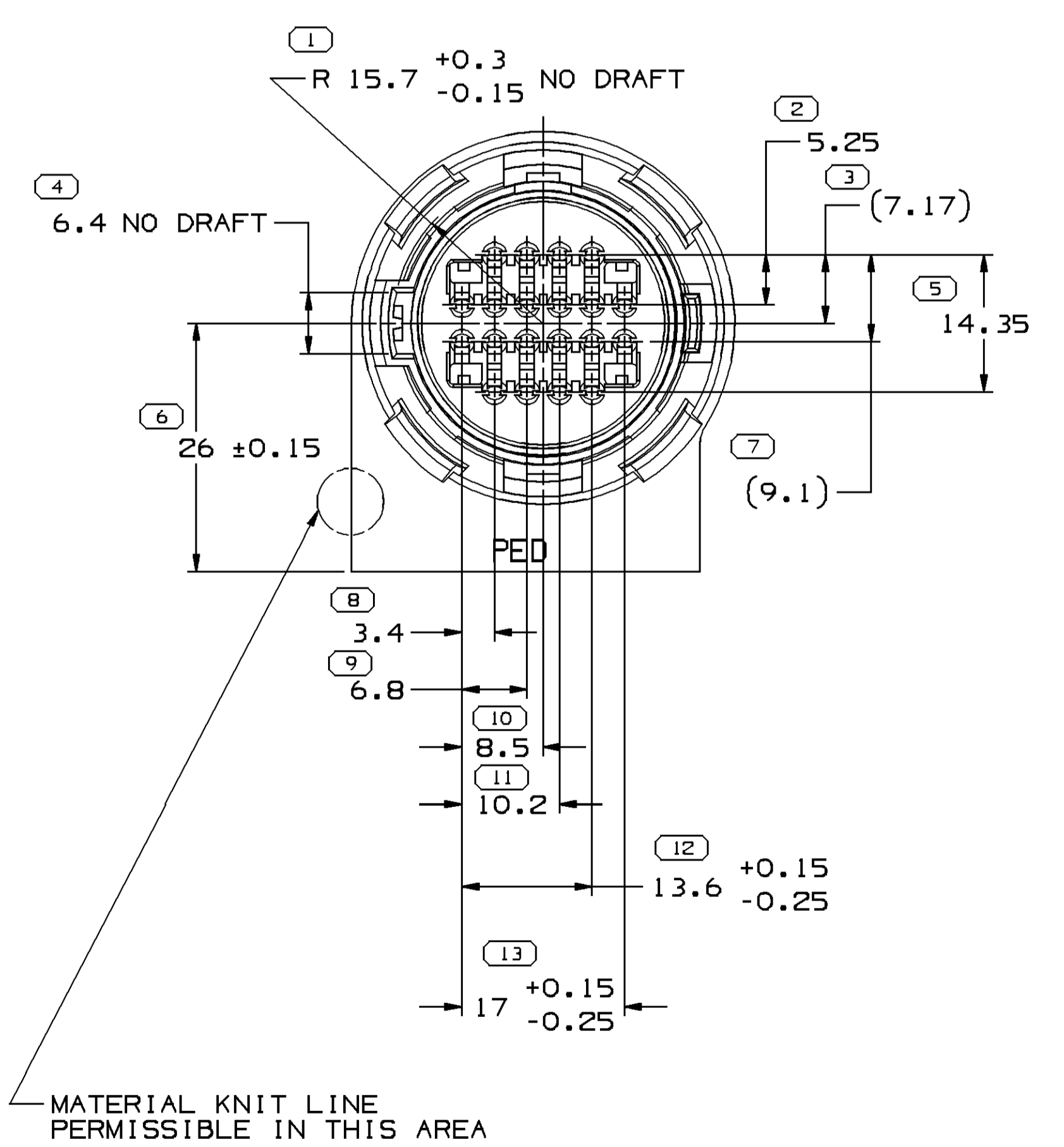
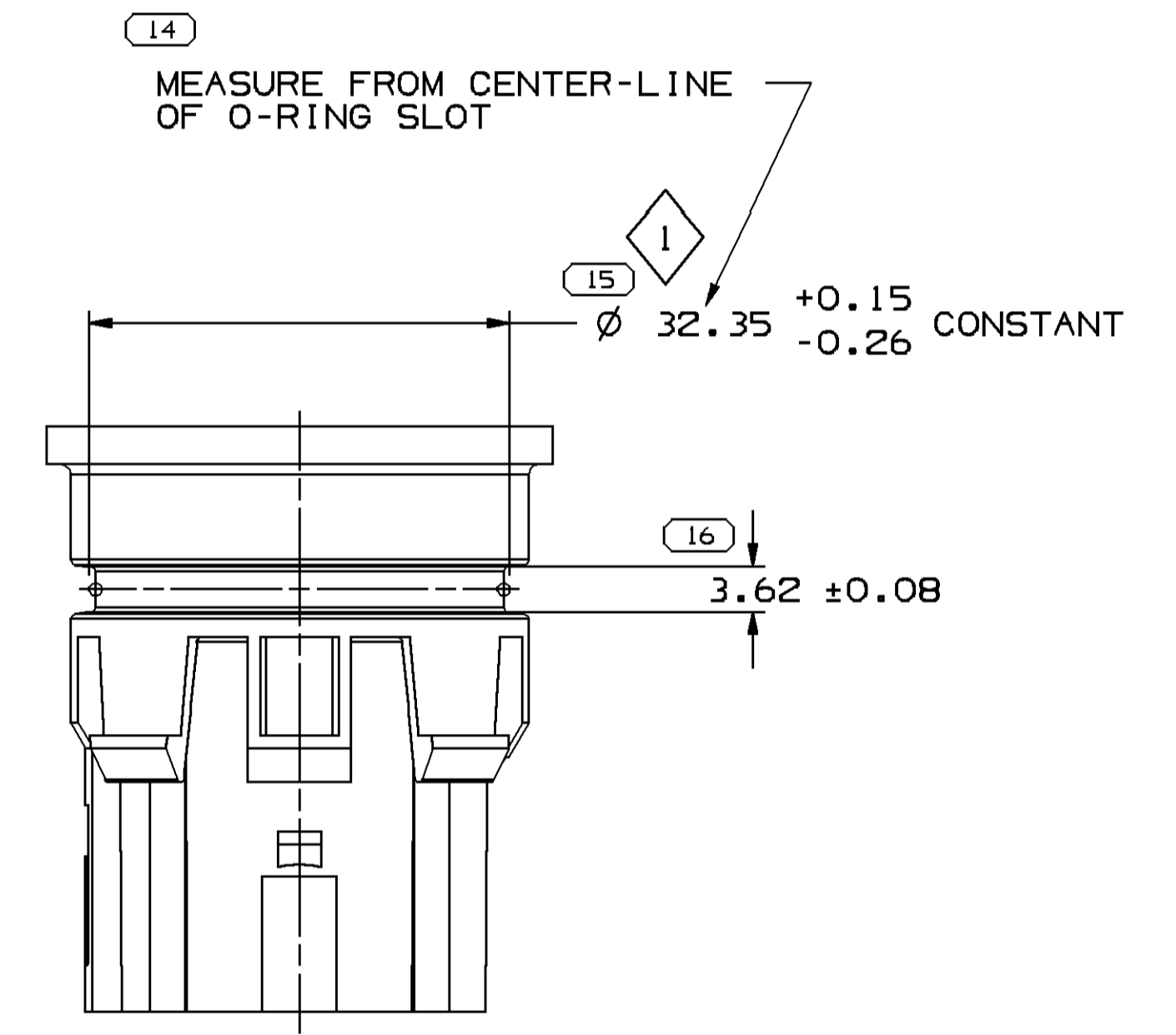
SYMBOL DEFINITION		MISSING NUMBERS	
A DIMENSION WITHOUT AN INSPECTION REPORT SYMBOL (○) DOES NOT REQUIRE INSPECTION. IT MAY BE CONTROLLED ON AN INDIVIDUAL COMPONENT DRAWING	TOTAL NO. OF SYMBOLS ON DRAWING	35	
	LAST NO. USED	38	

DWG STATUS				REVISION HISTORY				AUTH		DR		AP/VD	
DATE	STG	REV	N/P	CHG	ZONE								
18DE00	R	B7	-	-		REDRAWN TO PE & REVISED	205078	PHC	PHC				
08MY01	R	B8	-	-		PDM ATTRIBUTES UPDATED	209431	HAM	HAM	CSD	M		
18SE03	R	03	-	-		REVISED TOLS (3 PLCS): GEOMETRY OF SECOND LOCK; NOTE #3 AND MATERIAL SPEC	245991	FKV	FKV	CSD			
01AP04	R	04	-	-		ADDED KNIT NOTE, Ø 36.3 CONSTANT WAS Ø 36.3 AND Ø 36.3 +0.15/-0.3 CONSTANT WAS Ø 36.3 ± 0.15	253248	CCV	FRG	CSD			
07JN07	R	04	AA	-		ADDED NOTE 6	401613	PCP	PCP	CSD			



MOUNTING HOLE DETAIL - PREFERRED
SCALE 1:1

- NOTES
- UNLESS OTHERWISE SPECIFIED AND/OR INDICATED: DIMENSIONS ARE TO FACE OF VIEW SHOWN AND AUTOMATICALLY ROUNDED BY COMPUTER FOR INSPECTION (SEE MATH MODEL FOR PRECISE DIMENSIONS). FOR ALL OTHER DIMENSIONS NOT SHOWN BUT REQUIRED FOR TOOL BUILD, SEE MATH MODEL FOR PRECISE TOOL PATH DATA. ALL RADII 0.4
 - WHEN USING THIS INFORMATION FOR A NEW DESIGN, REQUEST THE LATEST COPY OF THIS PRINT FROM PACKARD ELECTRIC DIVISION.
 - INSPECTION SYMBOLS SHOWN IN THESE VIEWS ARE FOR REFERENCE ONLY



- NOTES
- UNLESS OTHERWISE SPECIFIED AND/OR INDICATED: DIMENSIONS ARE TO FACE OF VIEW SHOWN AND AUTOMATICALLY ROUNDED BY COMPUTER FOR INSPECTION (SEE MATH MODEL FOR PRECISE DIMENSIONS). FOR ALL OTHER DIMENSIONS NOT SHOWN BUT REQUIRED FOR TOOL BUILD, SEE MATH MODEL FOR PRECISE TOOL PATH DATA.
 - MATING COMPONENTS OR EQUIVALENT: CONNECTOR 12160280
 - THIS PART ACCEPTS THE FOLLOWING COMPONENTS OR EQUIVALENT: SECONDARY TERMINAL LOCK 12146394 O-RING 12129390 MAX INSULATION CRIMP MUST BE LESS THAN 2.5 MEASURED AT ANY POINT CAVITIES TO ACCEPT 12160552 TERMINAL OR EQUIVALENT
 - MATERIAL RECYCLING CODE PER ISO 11469, (2.31X10.1) CHARACTERS AS SHOWN TO BE LOCATED ON ANY EXTERIOR SURFACE.
 - (2.31X10.1) DELPHI CORPORATE BRAND TO BE LOCATED ON ANY EXTERIOR SURFACE, PREFERABLY VISIBLE AT FINAL ASSEMBLY, OPTIONAL CONSTRUCTION TO BE "PED".
 - HYGROSCOPIC MATERIALS ABSORB AND RELEASE MOISTURE DEPENDING ON THE RELATIVE HUMIDITY OF THE ENVIRONMENT. HYGROSCOPIC POLYMERS SUCH AS PA6 AND PA66 (NYLONS IN GENERAL) REQUIRE PROPER STORAGE AND PACKAGING. EVERY EFFORT IS MADE BY DELPHI PACKARD TO CORRECTLY PACKAGE THIS PRODUCT AT INITIAL SHIPMENT FROM THE DELPHI PRODUCING PLANT. FAILURE TO PROTECT COMPONENTS COMPOSED OF HYGROSCOPIC MATERIALS DURING SUBSEQUENT HANDLING, STORAGE AND PACKAGING, PARTICULARLY IN HIGH HUMIDITY ENVIRONMENTS CAN RESULT IN DIMENSIONAL CHANGE FOR WHICH DELPHI WILL NOT BE LIABLE.

DWG TYPE PART DRAWING																			
STYLE	DATE																		
VOLUME 10/1 14.271	DISTR CODE D																		
UNLESS OTHERWISE SPECIFIED THIS DOCUMENT IS IN ACCORDANCE WITH GM 914.94-1994 AS ISSUED BY THE IN-SUPPLY DIVISION AND TELEPHONE ADDRESSES, SERIAL NUMBERS OR FEATURES MAY BE BASED SEPARATELY PER RELEASE OF DRAWING REFERENCES.																			
ALL DIMENSIONS ARE IN MILLIMETERS																			
REFERENCE 12146482	THIRD ANGLE PROJECTION																		
DO NOT SCALE	USE MATH DATA																		
<table border="1"> <thead> <tr> <th>DIMENSIONAL RANGE (MM)</th> <th>TOLERANCE UNLESS OTHERWISE SPECIFIED</th> </tr> </thead> <tbody> <tr> <td>FROM > 0 TO > 30</td> <td>± 0.15</td> </tr> <tr> <td>> 30 TO > 70</td> <td>± 0.2</td> </tr> <tr> <td>> 70 TO > 100</td> <td>± 0.3</td> </tr> <tr> <td>> 100 TO > 150</td> <td>± 0.4</td> </tr> <tr> <td>> 150 TO > 200</td> <td>± 0.5</td> </tr> <tr> <td>> 200 TO > 250</td> <td>± 0.6</td> </tr> <tr> <td>> 250 TO > 300</td> <td>± 0.8</td> </tr> <tr> <td>> 300 TO > 400</td> <td>± 1.0</td> </tr> </tbody> </table>		DIMENSIONAL RANGE (MM)	TOLERANCE UNLESS OTHERWISE SPECIFIED	FROM > 0 TO > 30	± 0.15	> 30 TO > 70	± 0.2	> 70 TO > 100	± 0.3	> 100 TO > 150	± 0.4	> 150 TO > 200	± 0.5	> 200 TO > 250	± 0.6	> 250 TO > 300	± 0.8	> 300 TO > 400	± 1.0
DIMENSIONAL RANGE (MM)	TOLERANCE UNLESS OTHERWISE SPECIFIED																		
FROM > 0 TO > 30	± 0.15																		
> 30 TO > 70	± 0.2																		
> 70 TO > 100	± 0.3																		
> 100 TO > 150	± 0.4																		
> 150 TO > 200	± 0.5																		
> 200 TO > 250	± 0.6																		
> 250 TO > 300	± 0.8																		
> 300 TO > 400	± 1.0																		

DELPHI	
DELPHI PACKARD ELECTRICAL/ELECTRONIC ARCHITECTURE WARREN, OH	
DR P.H. CASTRILLON	DATE 15DE00
APV01 P.H. CASTRILLON	15DE00
APV02 P.H. CASTRILLON	15DE00
APV03 C. DEPROFFIO	20DE00
APV04	
SUBSTANCES OF CONCERN AND RECYCLED CONTENT PER DELPHI 10949001	
MATERIAL W3592025 PA66 HS 1M-GR4 MD	
DRAWING NAME CONN 20 M MIC/P 100W GRA MD SLD	
DRAWING NUMBER 12160781	
SIZE A0	SCALE 2:1
FRM NO 1 OF 1	SHEET NO 1 OF 1
STG REV R 04	N/P AA

Date: 18-Jun-07 Time: 08:17

X-ON Electronics

Largest Supplier of Electrical and Electronic Components

Click to view similar products for [Automotive Connectors](#) category:

Click to view products by [APTIV](#) manufacturer:

Other Similar products are found below :

[003-018-000](#) [60403001](#) [60993906-B](#) [M902-2131](#) [M902-2161](#) [72.330.1035.1](#) [73.353.4028.0](#) [F119300-B](#) [F166900](#) [F258300-B](#) [F358300-B](#)
[F407400](#) [F444110](#) [F487000](#) [F509500B-B](#) [827153-1](#) [8N1515-32-24P](#) [9-1326729-8](#) [925474-1](#) [928905-1](#) [964562-4](#) [968782-1](#) [GT17SA-8DS-](#)
[HU](#) [98891-1012](#) [98947-1016](#) [12004475-L](#) [12010290](#) [12010309-B](#) [12015454](#) [12020219-B](#) [12020308](#) [12041318-B](#) [12052225-L](#) [12052466](#)
[12059125](#) [12064869](#) [12004327-B](#) [12010503-B](#) [12015308](#) [12015384](#) [12015909](#) [1-21030-1](#) [12041254](#) [12041318](#) [12047946-B](#) [12047957](#)
[12047957-L](#) [12059473](#) [12066261](#) [12110546](#)