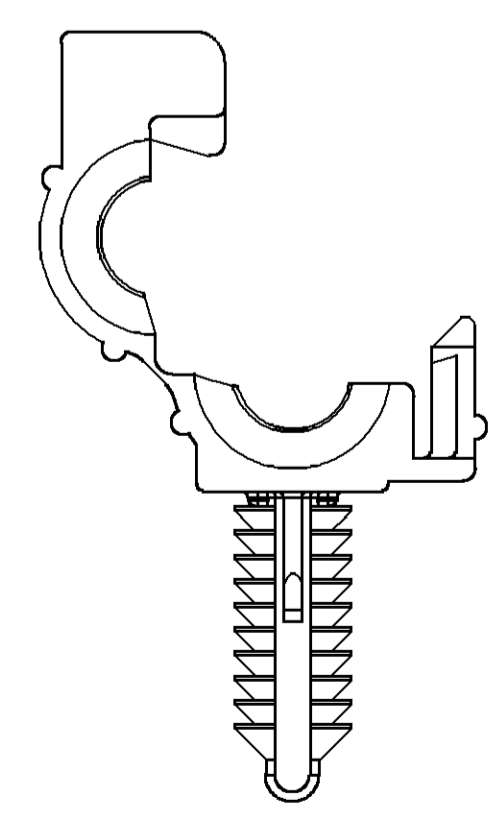
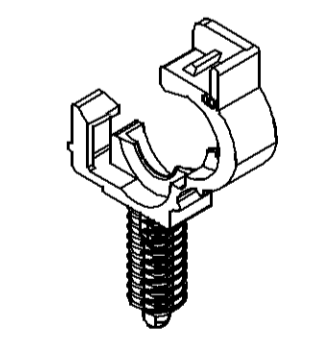
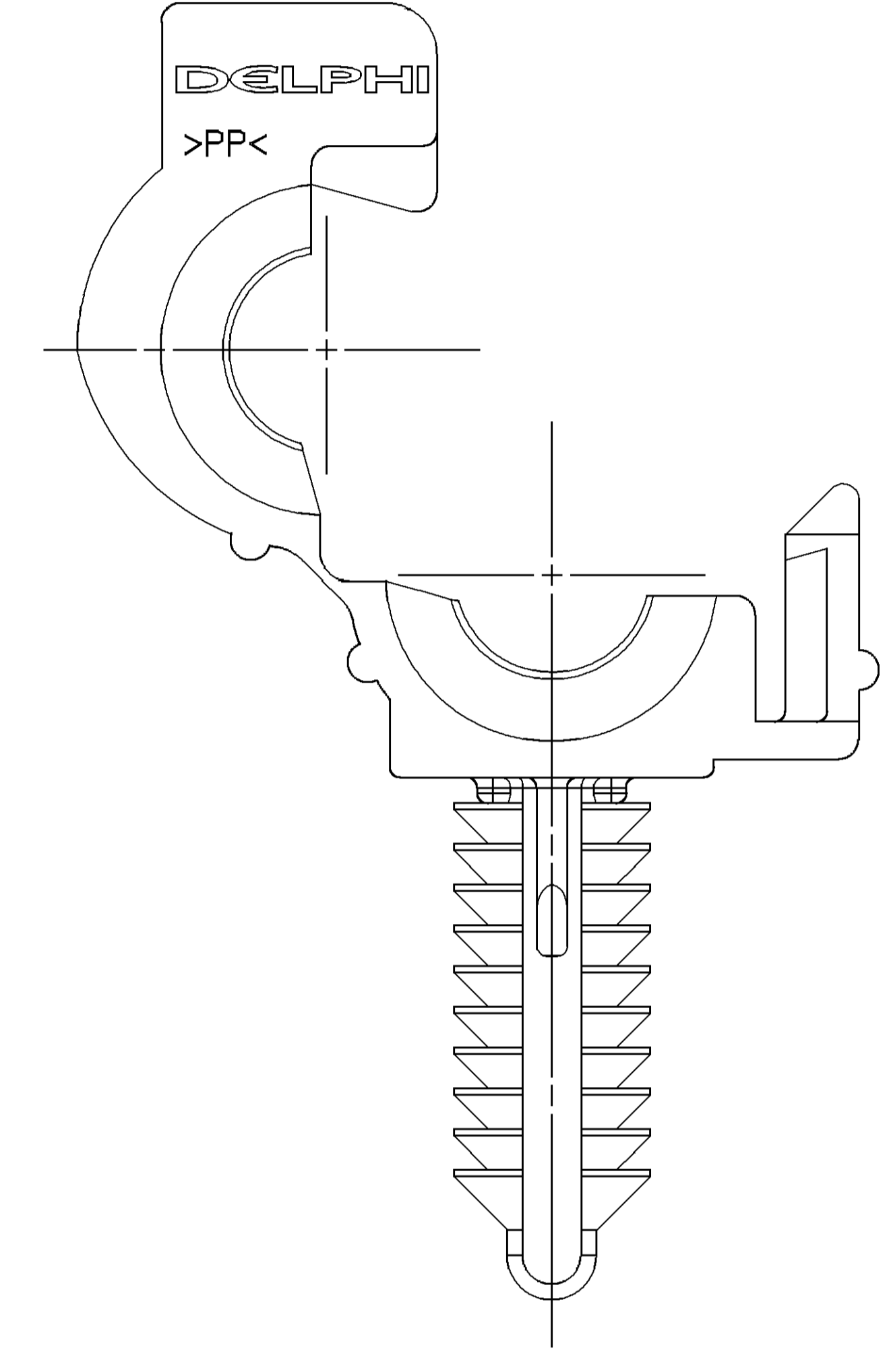
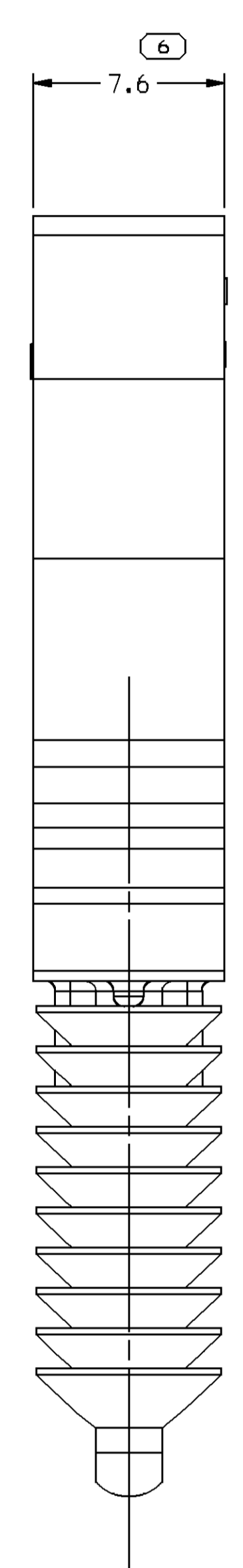
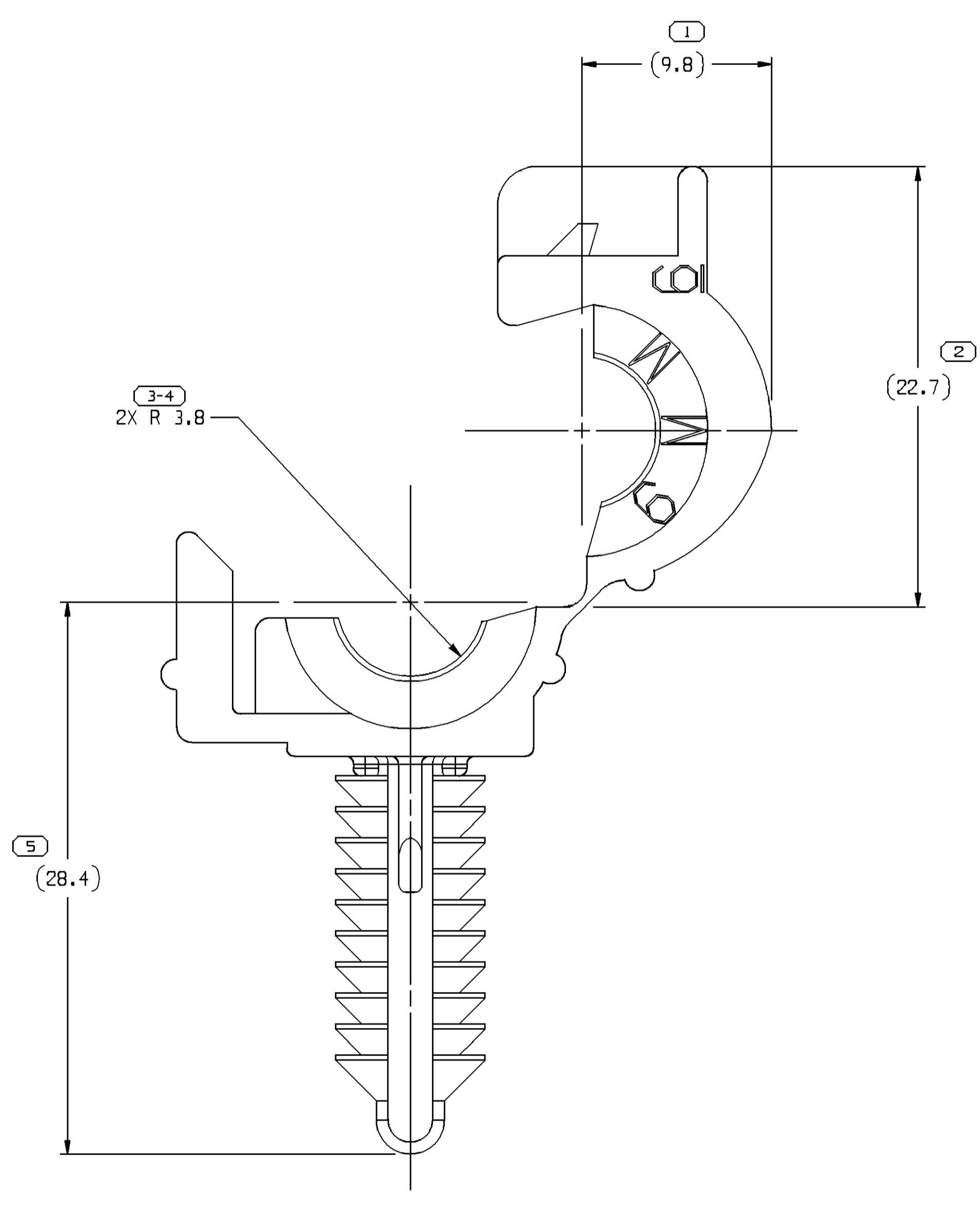
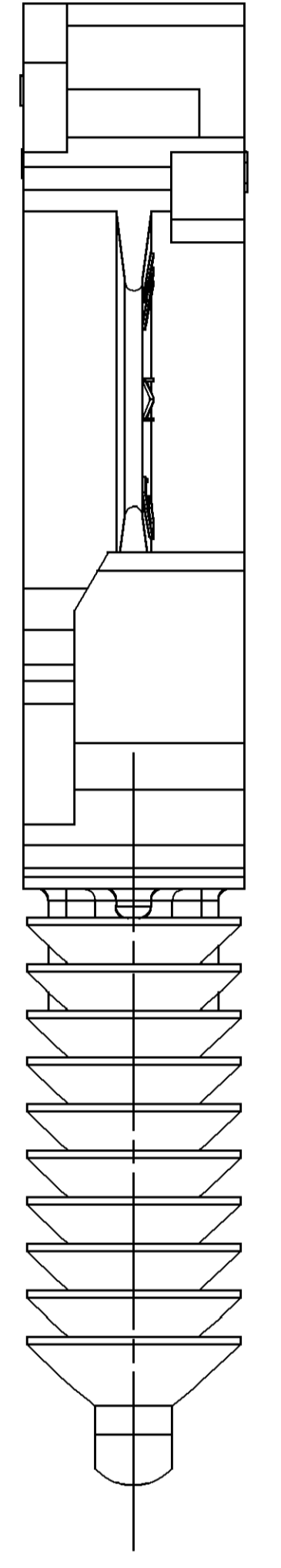
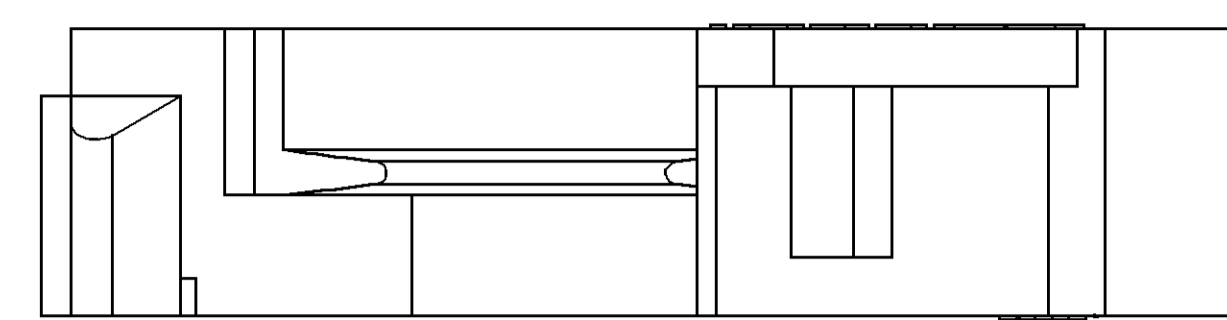
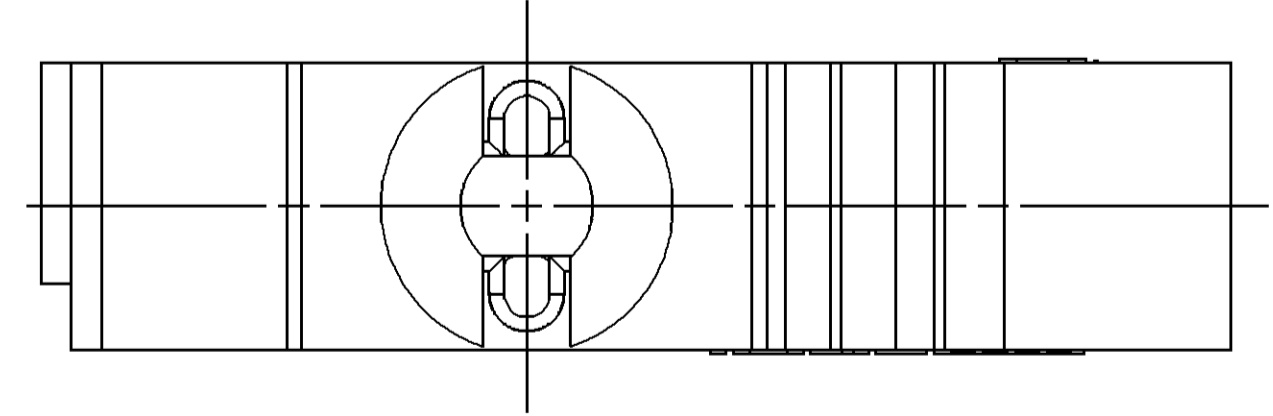


| SYMBOL DEFINITION   |                                 | MISSING NUMBERS |  |
|---|---------------------------------|-----------------|--|
| A DIMENSION WITHOUT AN INSPECTION REPORT SYMBOL ( ) DOES NOT REQUIRE INSPECTION. IT MAY BE CONTROLLED ON AN INDIVIDUAL COMPONENT DRAWING. | TOTAL NO. OF SYMBOLS ON DRAWING | 5               |  |
|   | LAST NO. USED                   | 6               |  |

| DWG STATUS |     |     |     |     | REVISION HISTORY |   |        |     | AUTH | DR  | APVD | APVD |
|------------|-----|-----|-----|-----|------------------|---|--------|-----|------|-----|------|------|
| DATE       | STG | REV | N/P | CHG | ZONE             |   |        |     |      |     |      |      |
| 28/JA/99   | R   | 01  | -   | -   |                  | CLEARED REV COLUMN & ALL PARTS - REVISED                        | 191393 | KAS | JVM  | ET  |      |      |
| 22/SE/00   | R   | 02  | -   | -   |                  | REVISED DIM #252, ADDED DIM #325-326                            | 201372 | CJC | CJC  | ET  |      |      |
| 16/MR/01   | R   | 03  | -   | -   |                  | REVISED TGD DIMENSION # 323-324                                 | 207932 | CJC | CJC  | ET  |      |      |
| 21/JN/01   | R   | 04  | -   | -   |                  | ALL PARTS - UPDATED PDM ATTRIBUTES                              | 211218 | JLJ | JLJ  | ET  |      |      |
| 25/SE/01   | R   | 05  | -   | -   |                  | ALL PARTS - UPDATED PDM ATTRIBUTES                              | 214578 | JMR | JMR  | ET  |      |      |
| 04/OC/02   | R   | 06  | -   | -   |                  | 12160859 - UPDATED PDM ATTRIBUTES                               | 231462 | BRB | BRB  | FR  |      |      |
| 11/MR/03   | R   | 07  | -   | -   |                  | ALL PARTS - REVISED MATERIAL SPEC                               | 238207 | RH  | RH   | ET  |      |      |
| 12/JN/04   | R   | 08  | -   | -   |                  | ALL PARTS - REVISED GRAPHICS                                    | 255789 | JBD | JVM  | EST |      |      |
| 25/OC/18   | R   | 09  | -   | -   |                  | ALL PARTS - UPDATED DESIGN & ENGINEERING CONTROL AND ADDED NOTE | 441293 | LVD | JAA  | RJR |      |      |



OPTIONAL CONSTRUCTION  
SCALE 2:1



NOTES

- UNLESS OTHERWISE SPECIFIED AND/OR INDICATED: DIMENSIONS ARE TO FACE OF VIEW SHOWN AND AUTOMATICALLY ROUNDED BY COMPUTER FOR INSPECTION (SEE MATH MODEL FOR PRECISE DIMENSIONS). FOR ALL OTHER DIMENSIONS NOT SHOWN BUT REQUIRED FOR TOOL BUILD, SEE MATH MODEL FOR PRECISE TOOL PATH DATA.
- MATERIAL RECYCLING CODE >PP< PER ISO 11469. (11)(10,1) CHARACTERS AS SHOWN TO BE LOCATED ON ANY EXTERIOR SURFACE. OPTIONAL CONSTRUCTION TO BE NO MATERIAL RECYCLING CODE.
- CORPORATE BRAND TO BE APPLIED TO PRODUCT DESIGN PER THE LATEST REVISION OF ESD 51085201.
- RECOMMENDED HOLE SIZE  $\phi .6.35$  IN  $\phi$  MAX THICK STOCK.
- THIS PART IS DESIGNED TO ACCEPT 6MM CPN/VOLUTED CONDUIT.

| 15336095 | 02  | AB  | POLYPROPYLENE COMPOUND GRAY      | 1.599               |
|----------|-----|-----|----------------------------------|---------------------|
| 12160859 | 03  | AB  | POLYPROPYLENE COMPOUND BLACK     | 1.599               |
| PART NO  | REV | N/P | MATERIAL SPECIFICATION AND COLOR | VOL CM <sup>3</sup> |

| DIMENSIONAL RANGE (MM)                                      |     | CHART ET                        |       |
|---|-----|---------------------------------|-------|
| FROM  | > 0 | > 20                            | > 300 |
| TO  | 20  | 30                              | 400   |
| TOLERANCE UNLESS OTHERWISE SPECIFIED                        |     | ANGULAR TOLERANCE $\pm 2^\circ$ |       |
| ±0.15   ±0.2   ±0.3   ±0.4   ±0.5   ±0.6   ±0.8   ±1   ±1.2 |     |                                 |       |

|  |         |          |          |     |     |     |
|--|---------|----------|----------|-----|-----|-----|
| <p><b>APTIV.</b></p> <p>CONNECTION SYSTEMS</p> <p>COPYRIGHT 1997 APTIV. ALL RIGHTS RESERVED.</p> <p>THIS DRAWING IS THE PROPERTY OF APTIV AND CONTAINS APTIV CONFIDENTIAL INFORMATION. THE REPRODUCTION, DISTRIBUTION AND UTILIZATION OF THIS DOCUMENT OR ITS RELATED CAD DATA, AS WELL AS COMMUNICATION OF ANY CONTENT TO OTHERS, WITHOUT EXPRESS AUTHORIZATION, IS PROHIBITED.</p> |         |          |          |     |     |     |
| DR   | DATE    |          |          |     |     |     |
| APV01 E. LUQUENO   | 26NOV97 |          |          |     |     |     |
| APV02 L. R. MOYSEN M.  | 28NOV97 |          |          |     |     |     |
| APV03 E. TRACEY  | 09DEC97 |          |          |     |     |     |
| APV04  |         |          |          |     |     |     |
| SUBSTANCES OF CONCERN AND RECYCLED CONTENT PER APTIV 1094901   |         |          |          |     |     |     |
| DRAWING NUMBER   |         |          |          |     |     |     |
| TAXI MOUN CLIP CDt NAIL  |         |          |          |     |     |     |
| DRAWING NUMBER   |         |          |          |     |     |     |
| 15336146   |         |          |          |     |     |     |
| SIZE   | SCALE   | FRAME NO | SHEET NO | STG | REV | N/P |
| A0   | 5:1     | 1        | 1        | 1   | R   | 09  |

THE DESIGN AND ENGINEERING CONTROL OF THIS COMPONENT HAS BEEN TRANSFERRED TO APTIV/HELLERMANN+TYTON

## X-ON Electronics

Largest Supplier of Electrical and Electronic Components

*Click to view similar products for [Automotive Connectors](#) category:*

*Click to view products by [APTIV](#) manufacturer:*

Other Similar products are found below :

[003-018-000](#) [60403001](#) [60993906-B](#) [629515004020001](#) [M902-2131](#) [M902-2161](#) [72.330.1035.1](#) [73.353.4028.0](#) [F119300-B](#) [F166900](#)  
[F258300-B](#) [F358300-B](#) [F407400](#) [F444110](#) [F487000](#) [F509500B-B](#) [827153-1](#) [8N1515-32-24P](#) [9-1326729-8](#) [925474-1](#) [928905-1](#) [964562-4](#)  
[968782-1](#) [GT17SA-8DS-HU](#) [98891-1012](#) [98947-1016](#) [12004475-L](#) [12010290](#) [12010309-B](#) [12015454](#) [12020219-B](#) [12020308](#) [12041318-B](#)  
[12052225-L](#) [12052466](#) [12059125](#) [12064869](#) [12004327-B](#) [12010503-B](#) [12015308](#) [12015384](#) [12015909](#) [1-21030-1](#) [12041254](#) [12041318](#)  
[12047946-B](#) [12047957](#) [12047957-L](#) [12059473](#) [12066261](#)