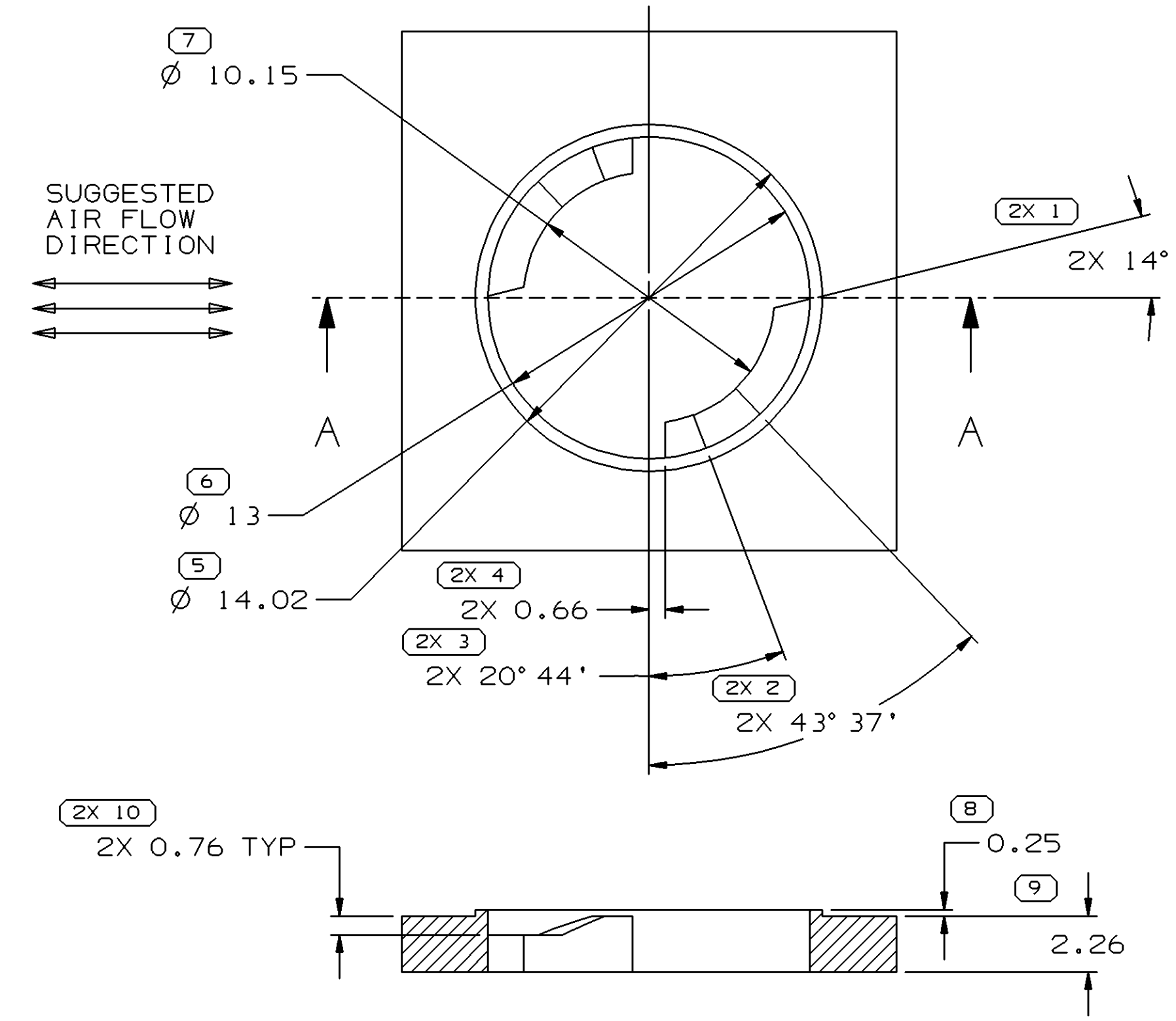


SYMBOL DEFINITION		MISSING SYMBOLS	
A DIMENSION WITHOUT AN INSPECTION REPORT SYMBOL DOES NOT REQUIRE INSPECTION. IT MAY BE CONTROLLED ON THE INDIVIDUAL COMPONENT DRAWING.	TOTAL NO OF INSPECTIONS REQUIRED	NO MISSING SYMBOL NUMBER	
	29		
	LAST NO. USED	22	

DWO STATUS				REVISION HISTORY				AUTH	DR	APVD1	APVD2
DATE	STG	REV	N/P	CHG	ZONE	DESCRIPTION					
07FE03	R	D3	-	-		CLEARED REV COLUMN; REDRAWN TO PD AND 137.541 WAS 37.54	236425	AMG	AMG	RA	
21JL03	R	E	-	-		REVISED MODEL	242800	HAM	HAM	RA	
21JN04	R	E1	-	-		UPDATED PDM ATTRIBUTES	251633	ADK	ADK	RA	

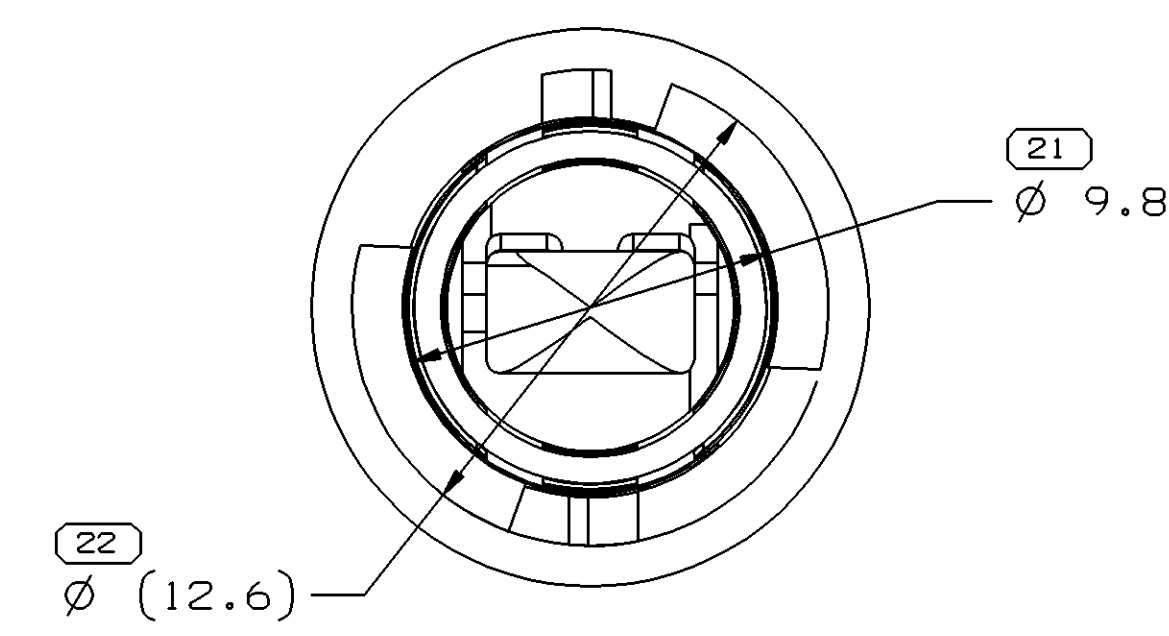
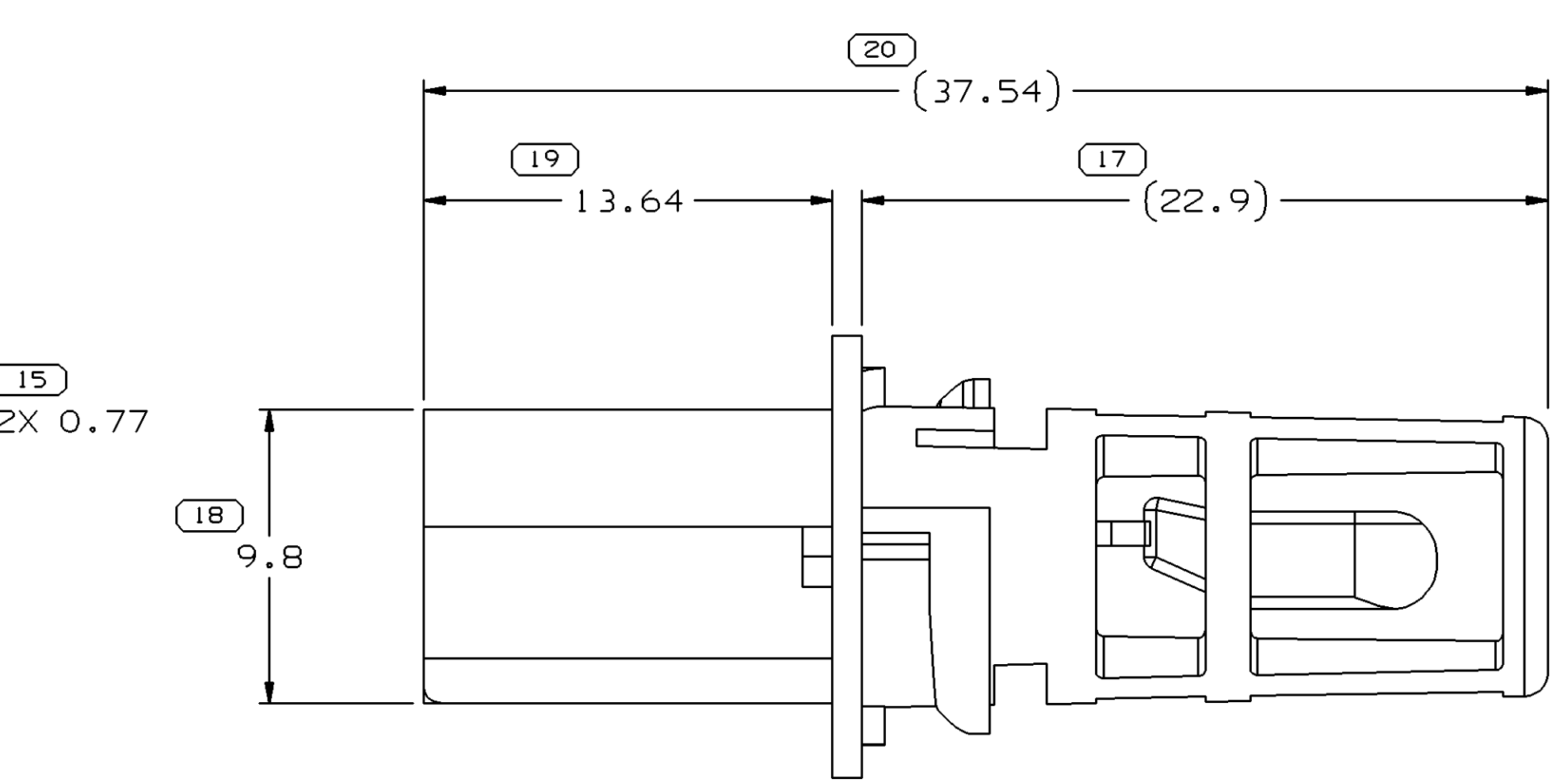
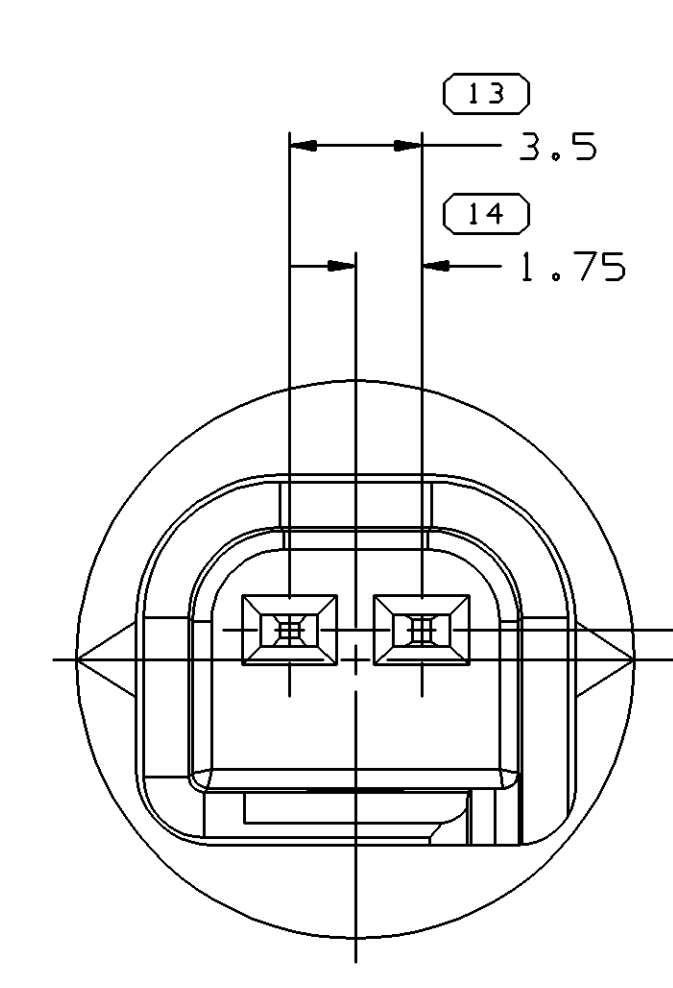
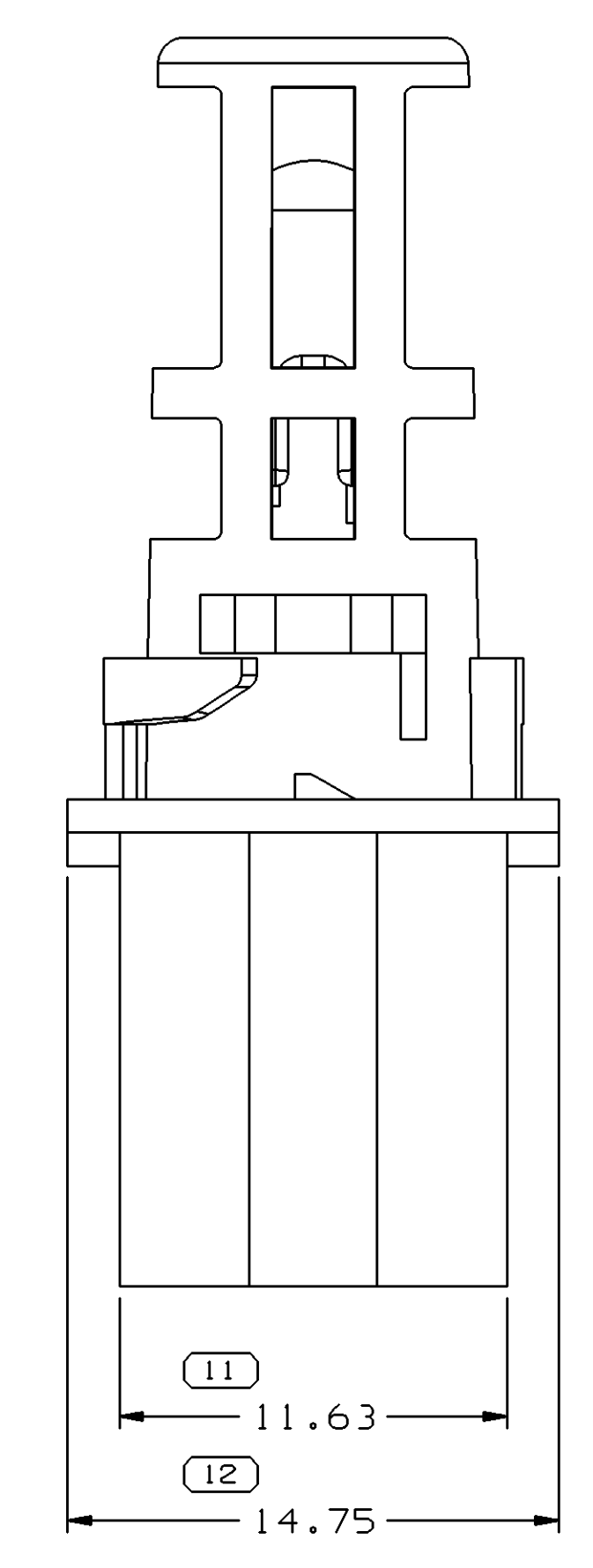


SECTION A-A  
MOUNTING HOLE INFORMATION  
INSPECTION SYMBOLS SHOWN IN THESE VIEWS ARE FOR REFERENCE ONLY

UNLOADED RESISTANCE-TEMPERATURE CHARACTERISTIC TABLE (REF)

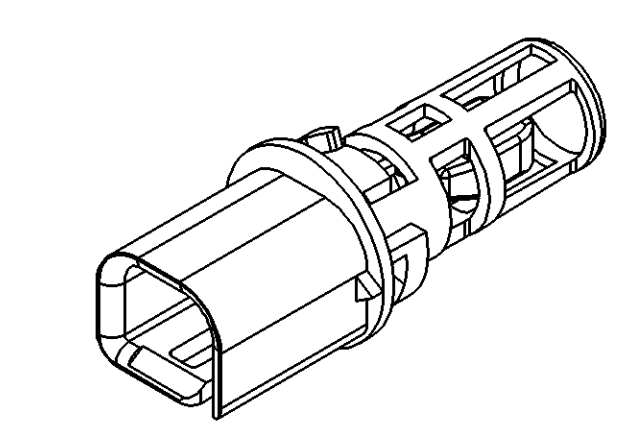
TEMPERATURE (°C)	NOMINAL RESISTANCE (OHMS) (REF)	RESISTANCE TOLERANCE (±%)	REFERENCE TEMP. ACCURACY (°C)
-40	100,865	4.87	0.72
-35	72,437	4.64	0.71
-30	52,594	4.43	0.70
-25	38,583	4.21	0.69
-20	28,582	4.00	0.68
-15	21,371	3.80	0.66
-10	16,120	3.60	0.65
-5	12,261	3.40	0.63
0	9,399	3.21	0.61
5	7,263	3.06	0.60
10	5,658	2.92	0.59
15	4,441	2.78	0.58
20	3,511	2.64	0.57
25	2,795	2.50	0.56
30	2,240	2.45	0.56
35	1,806	2.40	0.57
40	1,465	2.36	0.57
45	1,195	2.31	0.58
50	980.3	2.27	0.58
55	808.8	2.23	0.59
60	670.9	2.19	0.59
65	559.4	2.15	0.60
70	468.7	2.11	0.60
75	394.6	2.07	0.61
80	333.8	2.04	0.62
85	283.5	2.00	0.62
90	241.8	2.10	0.67
95	207.1	2.21	0.72
100	178.0	2.31	0.77
105	153.6	2.42	0.83
110	133.1	2.52	0.89
115	115.7	2.61	0.94
120	100.9	2.68	0.99
125	88.32	2.75	1.04
130	77.54	2.80	1.09
135	68.29	2.84	1.13
140	60.32	2.87	1.17
145	53.43	2.89	1.21
150	47.46	2.90	1.24

THE VALUES ABOVE ARE FOR THE UNLOADED THERMISTOR, AS SHIPPED FROM PACKARD ELECTRIC, AND DOES NOT REFLECT THE EFFECTS OF APPLICATION SYSTEM ERRORS AND AGING.



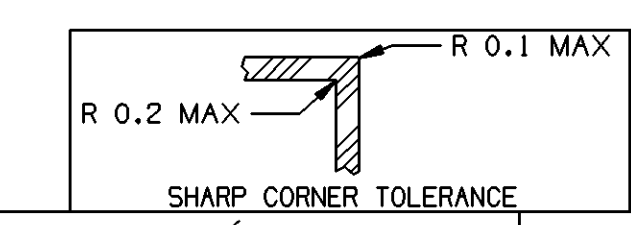
NOTES

- UNLESS OTHERWISE SPECIFIED AND/OR INDICATED: DIMENSIONS ARE TO FACE OF VIEW SHOWN AND AUTOMATICALLY ROUNDED BY COMPUTER FOR INSPECTION (SEE MATH MODEL FOR PRECISE DIMENSIONS). FOR ALL OTHER DIMENSIONS NOT SHOWN BUT REQUIRED FOR TOOL BUILD, SEE MATH MODEL FOR PRECISE TOOL PATH DATA.
- MATING COMPONENTS OR EQUIVALENT: CONNECTOR 12047662 2F M/P 150
- FLAMMABILITY PER GM 6090 M (B4-A)
- MATERIAL RECYCLING CODE >PA66< PER SAE J1344. (2.3)X(0.1) RAISED CHARACTERS AS SHOWN TO BE LOCATED ON ANY EXTERIOR SURFACE. OPTIONAL CONSTRUCTION TO BE NO MATERIAL RECYCLING CODE.
- (2.3)X(0.1) RAISED DELPHI CORPORATE BRAND TO BE LOCATED ON ANY EXTERIOR SURFACE, PREFERABLY VISIBLE AT FINAL ASSEMBLY. OPTIONAL CONSTRUCTION TO BE "PED" OR NO LOGO.

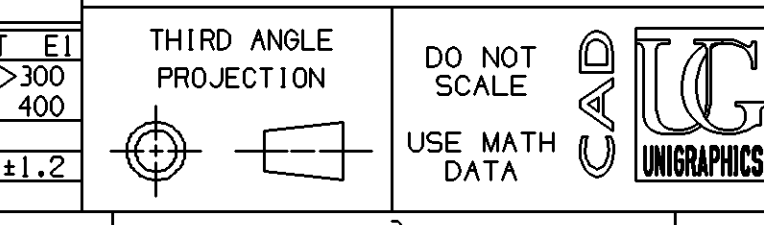


VIEW SCALE DOES NOT REFLECT ACTUAL PART SIZE

(18) PROCESS SENSITIVE DIMENSION  
DIMENSIONS ENCLOSED IN ( ) INDICATE REFERENCE DIMENSIONS AND NO TOLERANCE LIMITS ARE ESTABLISHED



FROM	TO	TOLERANCE UNLESS OTHERWISE SPECIFIED	CHART	ET
> 0	> 20	> 0.10	1	
> 20	> 30	> 0.15	2	
> 30	> 70	> 0.20	3	
> 70	> 100	> 0.25	4	
> 100	> 150	> 0.30	5	
> 150	> 200	> 0.35	6	
> 200	> 250	> 0.40	7	
> 250	> 300	> 0.45	8	
> 300	> 400	> 0.50	9	



**DELPHI**  
DELPHI PACKARD ELECTRIC SYSTEMS  
WARREN, OH

DR	DATE
APVD1 J. GARRETSON	04FE95
APVD2 JOHN THIESS	19AP95
APVD3 PETE STRAUSS	21AP95
APVD4	
APVD5	

UNLESS OTHERWISE SPECIFIED  
THIS DOCUMENT IS IN ACCORDANCE WITH ASME Y14.5M-1994 AS AMENDED BY THE 2003 DIMENSIONING AND TOLERANCING ADDENDUM - 1997. ALL GEOMETRIC TOLERANCES AND RELATED DATUM APPLY UNLESS OTHERWISE SPECIFIED. MNCI DOES NOT APPLY WHEN RELATIONSHIP BETWEEN FEATURES IS ESTABLISHED BY ORIENTATION OR LOCATION TOLERANCES. SEPARATE POSITION DATUMS MAY BE GAGED SEPARATELY. REGARDLESS OF DATUM REFERENCE.  
ALL DIMENSIONS ARE IN MILLIMETERS

DRAWING NAME	ASM MISC SENSOR THERMISTOR BLK
DRAWING NUMBER	W14.80 H11.60 D14.02 L37.50
SIZE	A0
SCALE	5:1
FRAME NO	1 OF 1
SHEET NO	1 OF 1
STG REV N/P	R E1

12160947

## X-ON Electronics

Largest Supplier of Electrical and Electronic Components

*Click to view similar products for [Automotive Connectors](#) category:*

*Click to view products by [APTIV](#) manufacturer:*

Other Similar products are found below :

[003-018-000](#) [60403001](#) [60993906-B](#) [629515004020001](#) [M902-2131](#) [M902-2161](#) [72.330.1035.1](#) [73.353.4028.0](#) [F119300-B](#) [F166900](#)  
[F258300-B](#) [F358300-B](#) [F407400](#) [F444110](#) [F487000](#) [F509500B-B](#) [827153-1](#) [8N1515-32-24P](#) [9-1326729-8](#) [925474-1](#) [928905-1](#) [964562-4](#)  
[968782-1](#) [GT17SA-8DS-HU](#) [98891-1012](#) [98947-1016](#) [12004475-L](#) [12010290](#) [12010309-B](#) [12015454](#) [12020219-B](#) [12020308](#) [12041318-B](#)  
[12052225-L](#) [12052466](#) [12059125](#) [12064869](#) [12004327-B](#) [12010503-B](#) [12015308](#) [12015384](#) [12015909](#) [1-21030-1](#) [12041254](#) [12041318](#)  
[12047946-B](#) [12047957](#) [12047957-L](#) [12059473](#) [12066261](#)