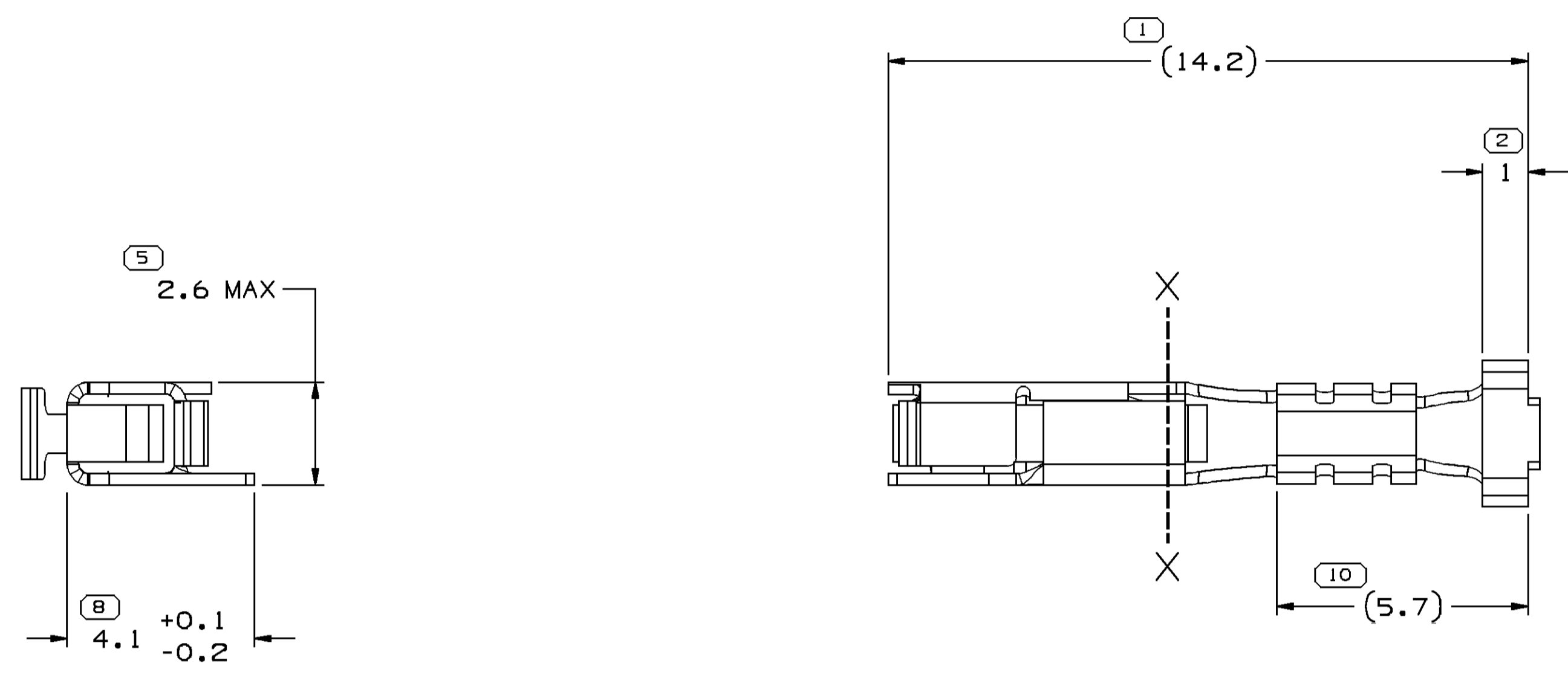
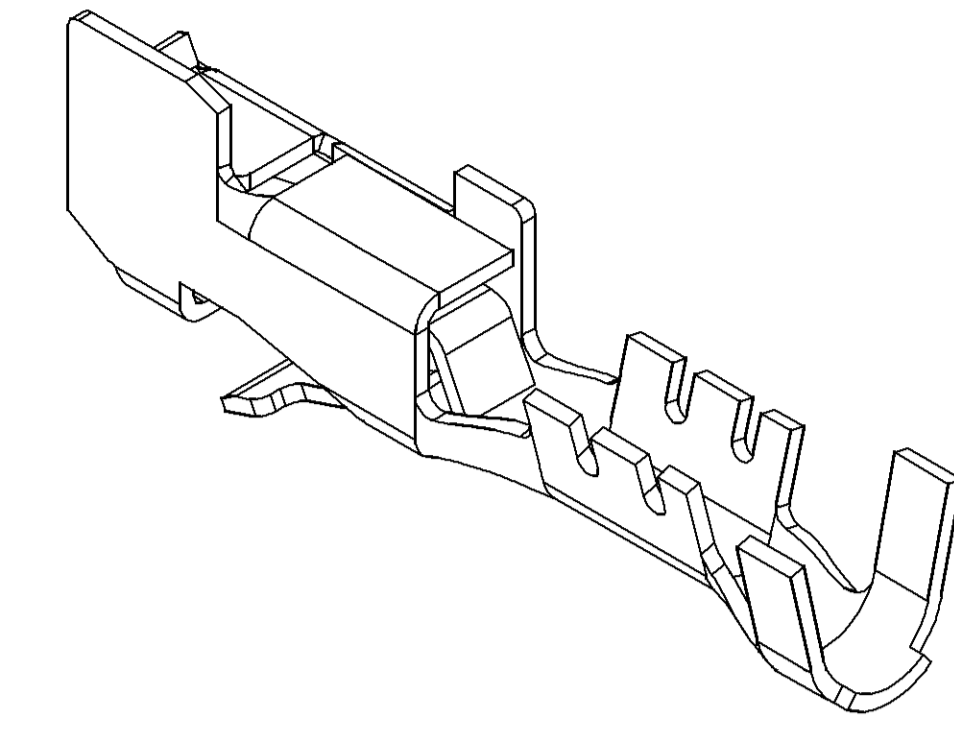
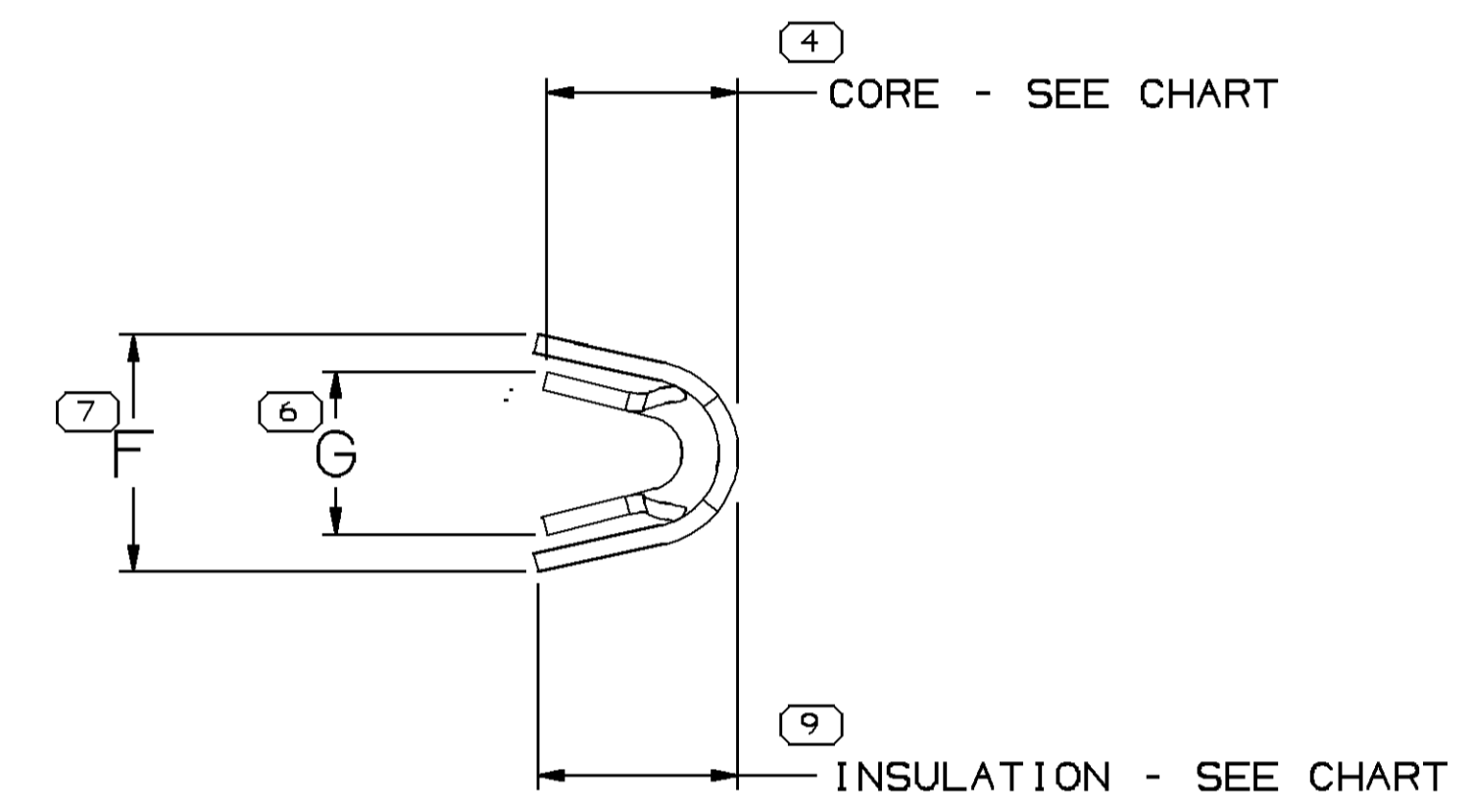


SYMBOL DEFINITION		TOTAL NO OF INSPECTIONS REQUIRED	17
A DIMENSION WITHOUT AN INSPECTION REPORT SYMBOL DOES NOT REQUIRE INSPECTION. IT MAY BE CONTROLLED ON THE INDIVIDUAL COMPONENT DRAWING.		LAST NO. USED	17

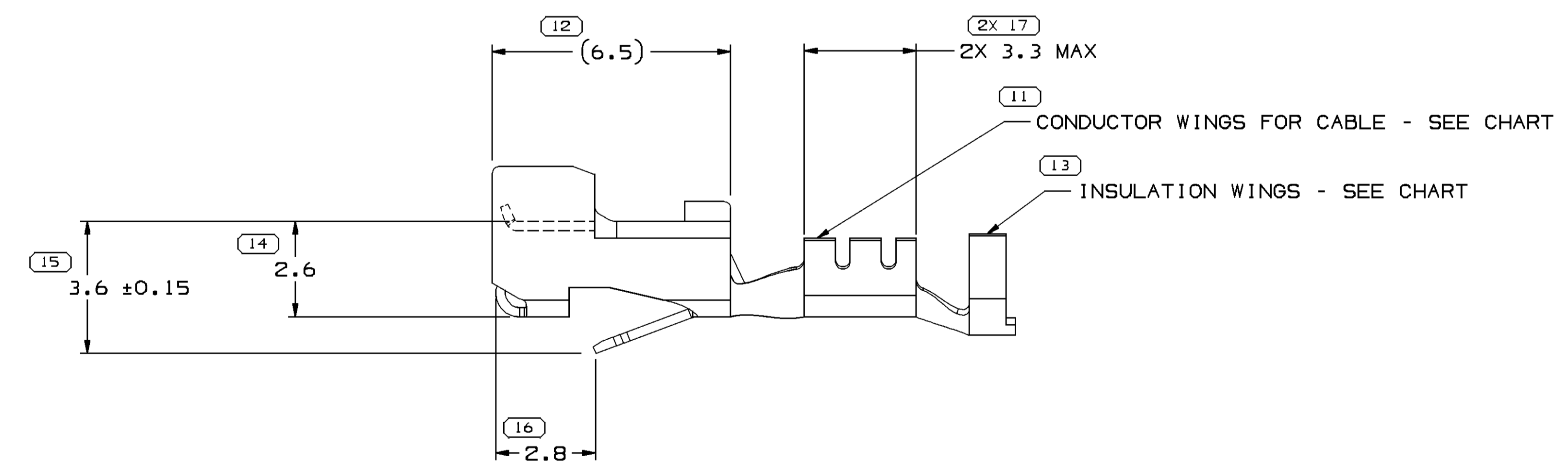
MISSING SYMBOLS				DATE		REV		N/P		CHG		ZONE		REVISION HISTORY		AUTH		DR		AP/VD			
3				17DE01	R	13	-	-	-	-	-	-	-	CLEARED REV COL; ALL PARTS - REVISED TOLERANCE CRIMP WINGS	218778	AFM	EDV	6M					
				26FE04	R	14	-	-	-	-	-	-	ALL PARTS - CREATED SOLID MODEL	241869	RAD	EAR	B6						
				26FE04	R	15	-	-	-	-	-	-	ALL PARTS - UPDATED MAT'L SPEC	245025	RAD	EAR	B6						
				18OC05	R	16	-	-	-	-	-	-	REMOVED DIM # 3	272913	EFS	JVM	B6						
				02A006	R	17	-	-	-	-	-	-	ALL PARTS - ADDED 3.3 MAX DIM	283169	TLD	TLD	B6						
				22JA08	R	18	-	-	-	-	-	-	ALL PARTS - UPDATED PDM ATTRIBUTES	403618	MAC	MAC	B6						
				04FE08	R	19	-	-	-	-	-	-	ALL PARTS - UPDATED PDM ATTRIBUTES	403722	RH	RH	B6						



VIEW TO X-X



VIEW TO X-X



NOTES

- UNLESS OTHERWISE SPECIFIED AND/OR INDICATED:
DIMENSIONS ARE TO FACE OF VIEW SHOWN AND AUTOMATICALLY ROUNDED BY COMPUTER FOR INSPECTION (SEE MATH MODEL FOR PRECISE DIMENSIONS). FOR ALL OTHER DIMENSIONS NOT SHOWN BUT REQUIRED FOR TOOL BUILD, SEE MATH MODEL FOR PRECISE TOOL PATH DATA.

PART NO	REV	N/P	STATUS	MAT'L SIZE	MAT'L SPEC	PART NO	REV	N/P	STATUS	MAT'L SPEC	SIZE (MM²)	DIA	ID
				0.254 X 26.97	M3606419 C65400 1/2 HD	15304790	03	AG			1-0.8	2.78-2.62	17
				0.254 X 26.97	M3635419 C17200 AM	12161184	03	AG			1-0.8	2.4-2.03	17
				0.254 X 26.97	M3606419 C65400 1/2 HD	12124076	05	AG			0.5-0.35	2.2-1.3	21
				0.254 X 26.97	M3606419 C65400 1/2 HD	12124075	05	AG			1-0.8	2.4-2.03	17

DIMENSIONS ENCLOSED IN () INDICATE REFERENCE DIMENSIONS AND NO TOLERANCE LIMITS ARE ESTABLISHED		DIMENSIONAL RANGE: DIM CHART D	
FROM	TO		
0	>12		
TOLERANCE UNLESS OTHERWISE SPECIFIED			
±0.1	±0.2		
ANGULAR TOLERANCE 2°			

PART DRAWING	
STYLE	
VOLUME (O/P)	DISTR CODE
	D
UNLESS OTHERWISE SPECIFIED	
THIS DOCUMENT IS IN ACCORDANCE WITH ASME Y14.5M-1994 AS MODIFIED BY THE IN CHARGE DIMENSIONING AND TOLERANCING ADDENDUM (1997). ALL DIMENSIONS UNLESS OTHERWISE SPECIFIED SHALL BE IN MILLIMETERS. UNLESS OTHERWISE SPECIFIED, ALL DIMENSIONS ARE TO FACE UNLESS INDICATED OTHERWISE. DIMENSIONS NOT SHOWN BUT REQUIRED FOR TOOL BUILD, SEE MATH MODEL FOR PRECISE TOOL PATH DATA.	

DELPHI
DELPHI PACKARD ELECTRICAL/ELECTRONIC ARCHITECTURE
NAPER, IL

DR	DATE
APVD1 G. ALVARADO	26 JUN99
APVD2 J. VILLAMIL	27 JUN99
APVD3 J. VILLAMIL	27 JUN99
APVD4	
APVD5	

UNLESS OTHERWISE SPECIFIED
SUBSTANCES OF CONCERN AND RECYCLED CONTENT PER DELPHI 10949001

DRAWING NAME
TAXI TERM F M/P 150.2 TANG

DRAWING NUMBER
12124077

SIZE	SCALE	FRAME NO	SHEET NO	REV	N/P
A0	10:1	1	1	1	19

X-ON Electronics

Largest Supplier of Electrical and Electronic Components

Click to view similar products for [Automotive Connectors](#) category:

Click to view products by [APTIV](#) manufacturer:

Other Similar products are found below :

[003-018-000](#) [60403001](#) [60993906-B](#) [629515004020001](#) [M902-2131](#) [M902-2161](#) [72.330.1035.1](#) [73.353.4028.0](#) [F119300-B](#) [F166900](#)
[F258300-B](#) [F358300-B](#) [F407400](#) [F444110](#) [F487000](#) [F509500B-B](#) [827153-1](#) [8N1515-32-24P](#) [9-1326729-8](#) [925474-1](#) [928905-1](#) [964562-4](#)
[968782-1](#) [GT17SA-8DS-HU](#) [98891-1012](#) [98947-1016](#) [12004475-L](#) [12010290](#) [12010309-B](#) [12015454](#) [12020219-B](#) [12020308](#) [12041318-B](#)
[12052225-L](#) [12052466](#) [12059125](#) [12064869](#) [12004327-B](#) [12010503-B](#) [12015308](#) [12015384](#) [12015909](#) [1-21030-1](#) [12041254](#) [12041318](#)
[12047946-B](#) [12047957](#) [12047957-L](#) [12059473](#) [12066261](#)