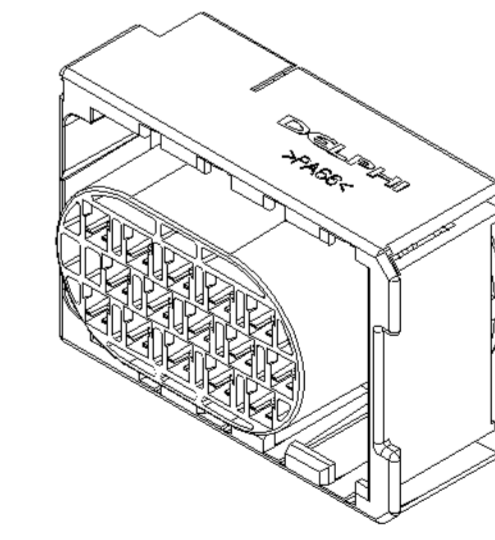
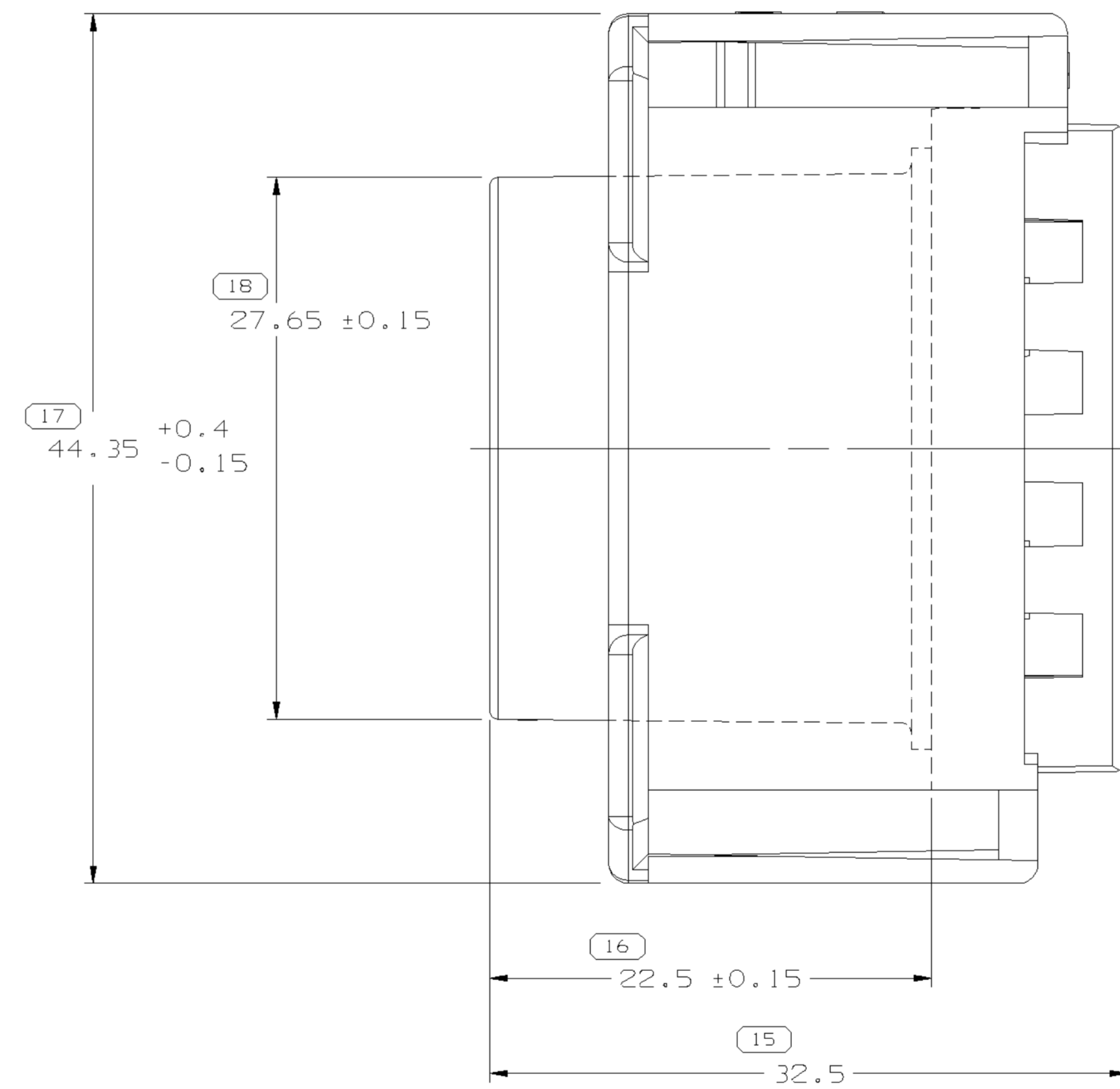
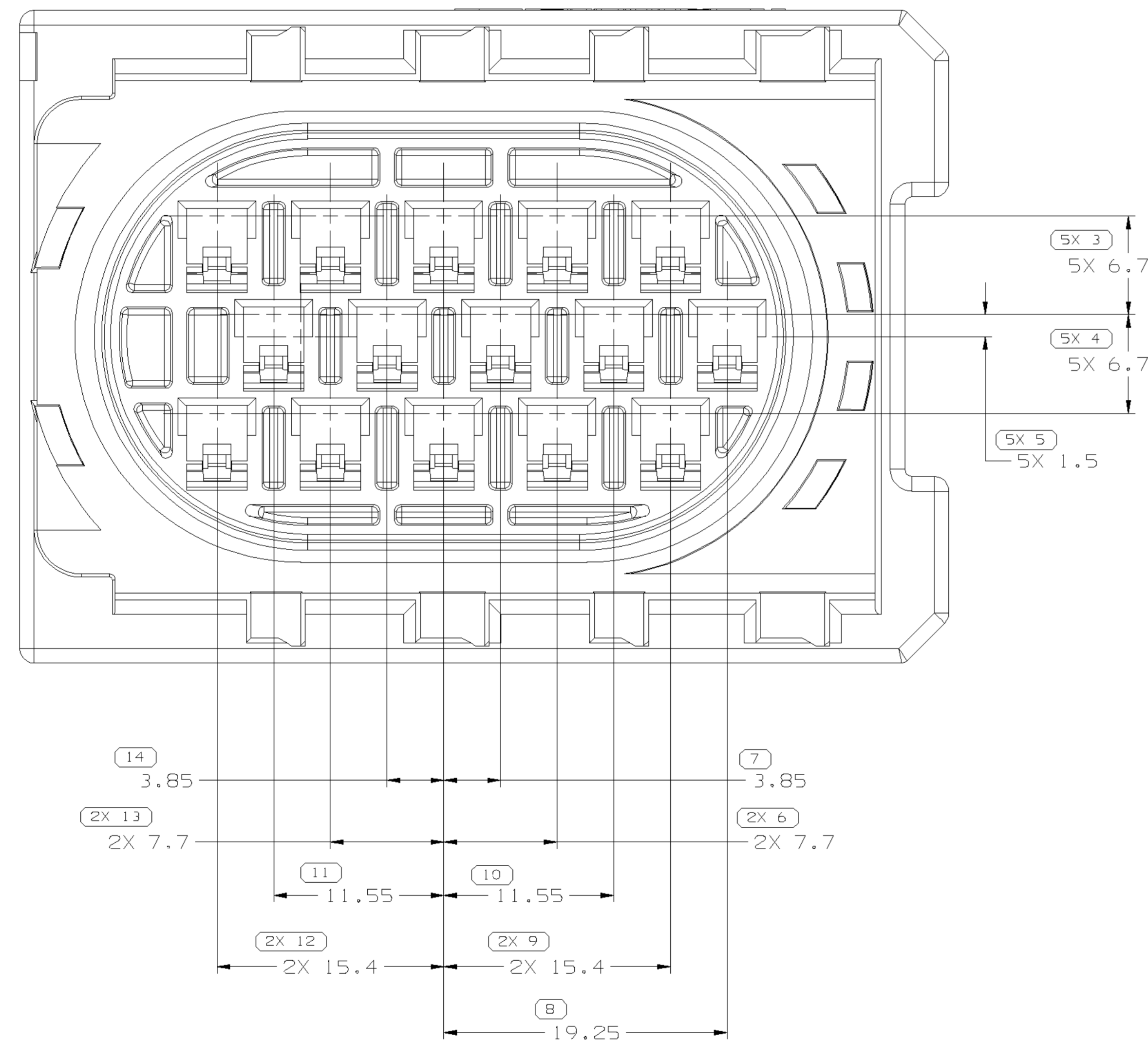
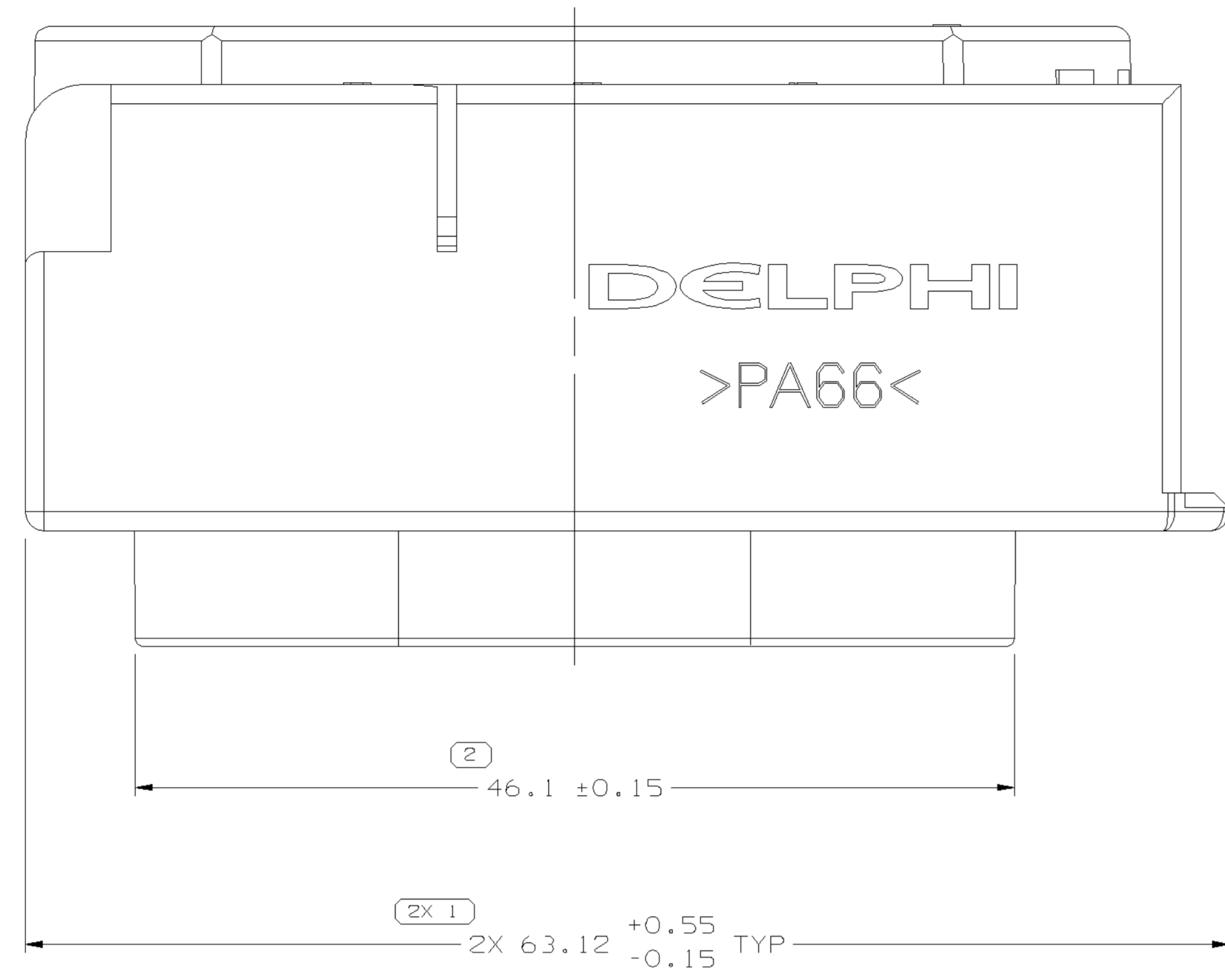


SYMBOL DEFINITION		MISSING SYMBOLS		DWG STATUS		REVISION HISTORY		AUTH	
A DIMENSION WITHOUT AN INSPECTION REPORT SYMBOL DOES NOT REQUIRE INSPECTION. IT MAY BE CONTROLLED ON THE INDIVIDUAL COMPONENT DRAWING.		TOTAL NO OF INSPECTIONS REQUIRED	NO MISSING SYMBOL NUMBER	DATE	STG	REV	CHG	N/P	ZONE
		35		05DEC01	R	D1	-	-	REDRAWN TO PD
	LAST NO. USED	18							000009



NOTES

- UNLESS OTHERWISE SPECIFIED AND/OR INDICATED: DIMENSIONS ARE TO FACE OF VIEW SHOWN AND AUTOMATICALLY ROUNDED BY COMPUTER FOR INSPECTION (SEE MATH MODEL FOR PRECISE DIMENSIONS). FOR ALL OTHER DIMENSIONS NOT SHOWN BUT REQUIRED FOR TOOL BUILD, SEE MATH MODEL FOR PRECISE TOOL PATH DATA.
- MATING COMPONENTS OR EQUIVALENT:
CONNECTOR 12161187
TERMINAL 12110853, 12110846
SECONDARY TERMINAL LOCK 12110782
MAX CABLE OD 3.85
CONNECTOR SEAL 12110822
CABLE SEAL: SEE DETAIL DRAWING 12010295 FOR COMPATIBLE OD RANGE
- THIS PART ACCEPTS THE FOLLOWING COMPONENTS OR EQUIVALENT:
SLIDE 12161185
- THIS PART IS NOT CONTROLLED FOR AUTOMATIC FEEDING

DELPHI Automotive Systems		MATERIAL SPEC R0071754 PA66 HS 1M-BLK	
SUBSTANCES OF CONCERN AND RECYCLED CONTENT PER DELPHI-A 10949001		DISTR CODE D	
PART GEOMETRY 3D SOLID		UNLESS OTHERWISE SPECIFIED: THIS DOCUMENT IS IN ACCORDANCE WITH ASME Y14.5M - 1994 AS AMENDED BY THE GM GLOBAL DIMENSIONING AND TOLERANCING ADDENDUM - 1997. ALL GEOMETRIC TOLERANCES AND RELATED DATUMS APPLY RFS. RULE #1 (PERFECT FORM AT MMC) DOES NOT APPLY WHEN RELATIONSHIP BETWEEN FEATURES IS ESTABLISHED BY ORIENTATION OR LOCATION TOLERANCES. SEPARATE POSITION CALLOUTS MAY BE GAGED SEPARATELY REGARDLESS OF DATUM REFERENCES.	
COPY OF MATH DATA DO NOT SCALE	REFERENCE	DR	DATE
		APVD1 R. CHACON	05DEC01
		APVD2 R. CHACON	05DEC01
		APVD3 R. CORZAS	06DEC01
		APVD4	
		APVD5	
METRIC UNLESS OTHERWISE SPECIFIED, ALL DIMENSIONS ARE IN MILLIMETERS		THIRD ANGLE PROJECTION	
DRAWING NAME CONN 15F M/P 280 FLXK SLD		SHEET NUMBER 1 OF 1	

DIMENSIONAL RANGE (MM)		CHART E1	
FROM	TO	FROM	TO
0	> 20	> 20	> 300
> 20	> 30	> 30	> 100
> 30	> 70	> 70	> 150
> 70	> 100	> 100	> 200
> 100	> 150	> 150	> 250
> 150	> 200	> 200	> 300
> 200	> 250	> 250	> 400
> 250	> 300	> 300	> 400
TOLERANCE UNLESS OTHERWISE SPECIFIED		ANGULAR TOLERANCE ± 2°	
± 0.15	± 0.2	± 0.3	± 0.4
± 0.4	± 0.5	± 0.6	± 0.8
± 1	± 1.2		

X-ON Electronics

Largest Supplier of Electrical and Electronic Components

Click to view similar products for [Automotive Connectors](#) category:

Click to view products by [APTIV](#) manufacturer:

Other Similar products are found below :

[003-018-000](#) [60993906-B](#) [M902-2131](#) [M902-2161](#) [M902-2344](#) [72.330.1035.1](#) [73.353.4028.0](#) [F166900](#) [F358300-B](#) [F407400](#) [776880-1](#)
[827153-1](#) [8N1515-32-24P](#) [9-1326729-8](#) [925474-1](#) [928905-1](#) [964562-4](#) [968782-1](#) [98891-1012](#) [12004475-L](#) [12020308](#) [12041318-B](#)
[12052466](#) [12064869](#) [12015909](#) [1-21030-1](#) [12041254](#) [12041318](#) [12047946-B](#) [12110546-B](#) [12131792](#) [12084688](#) [12092346](#) [HD34-18-14PT](#)
[HD46-24-23SN-059](#) [HDB36-24-16PN-059](#) [HDP26-24-9SE-L015](#) [12185280](#) [12185550](#) [12336-12](#) [12191172-B](#) [12S](#) [13545280](#) [13577943](#)
[13681974](#) [13737722-B](#) [13830674](#) [13832576](#) [13849772](#) [13542772](#)